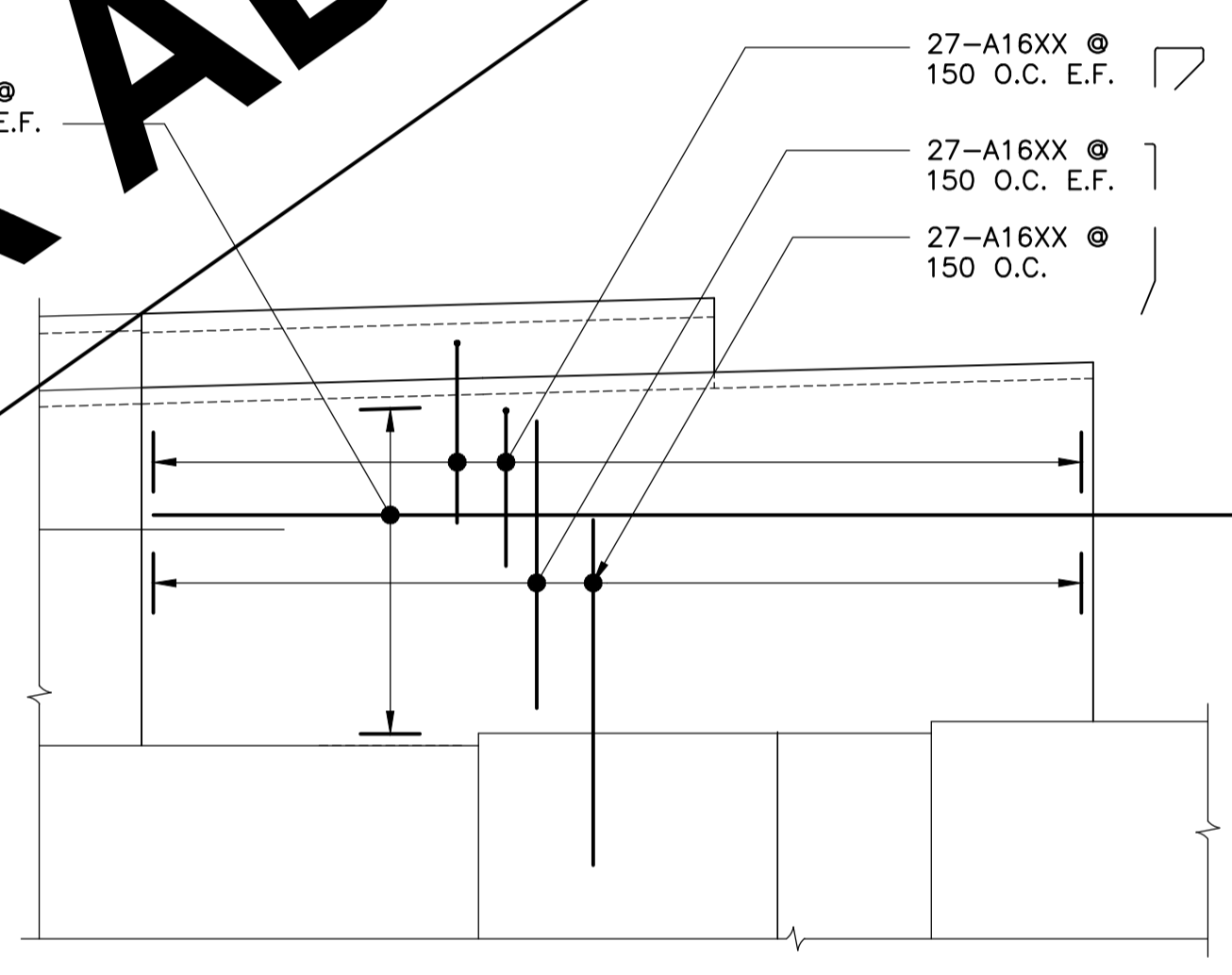


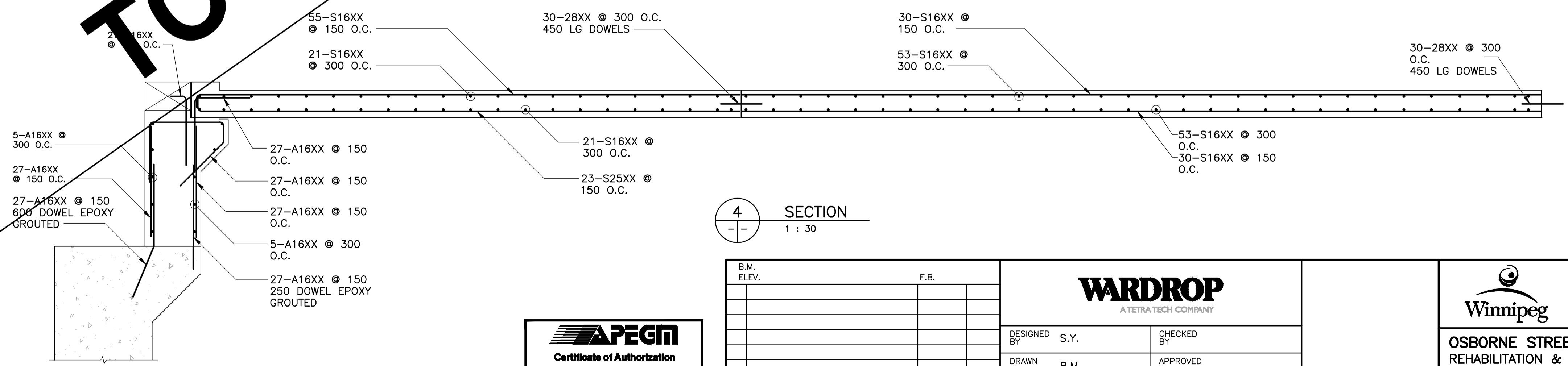
2 PLAN - ABUTMENT BACKWALL PHASE 1A REINFORCING



3 ELEVATION - SOUTH ABUTMENT PHASE 1A REINFORCING 1 : 30

2 APPROACH SLAB AND ROADWAY SLAB PHASE 1A REINFORCING

NORTH SOUTH



4 SECTION 1 : 30

TO BE ISSUED FOR ADDENDUM



B.M. ELEV.	F.B.	NO.	REVISIONS	DATE	BY

WARDROP ATETRA TECH COMPANY	
DESIGNED BY S.Y.	CHECKED BY
DRAWN BY B.M.	APPROVED BY
HOR. SCALE: VERTICAL: AS NOTED	RELEASED FOR CONSTRUCTION DATE
DATE 10.10.20	DATE

THE CITY OF WINNIPEG PUBLIC WORKS DEPARTMENT ENGINEERING DIVISION	
OSBORNE STREET BRIDGE REHABILITATION & RELATED WORKS	CITY DRAWING NUMBER B109-11-051 SHEET 46 OF 131
SOUTH ABUTMENT AND APPROACH SLAB PHASE 1A REINFORCING	CONSULTANT DRAWING NO. 0900070502-DWG-S0046 DATE 10.10.20
46	