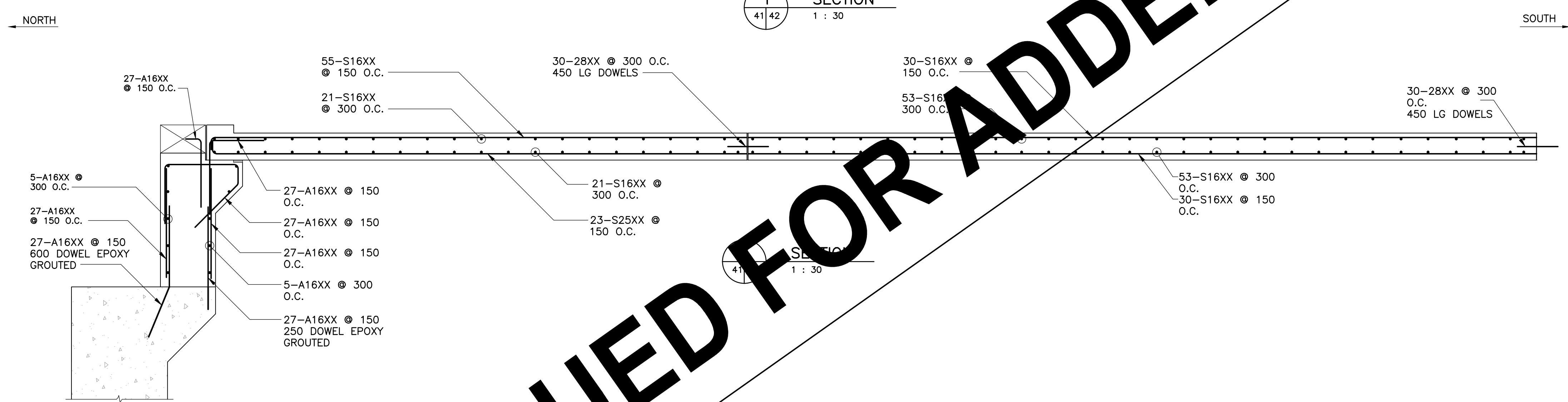
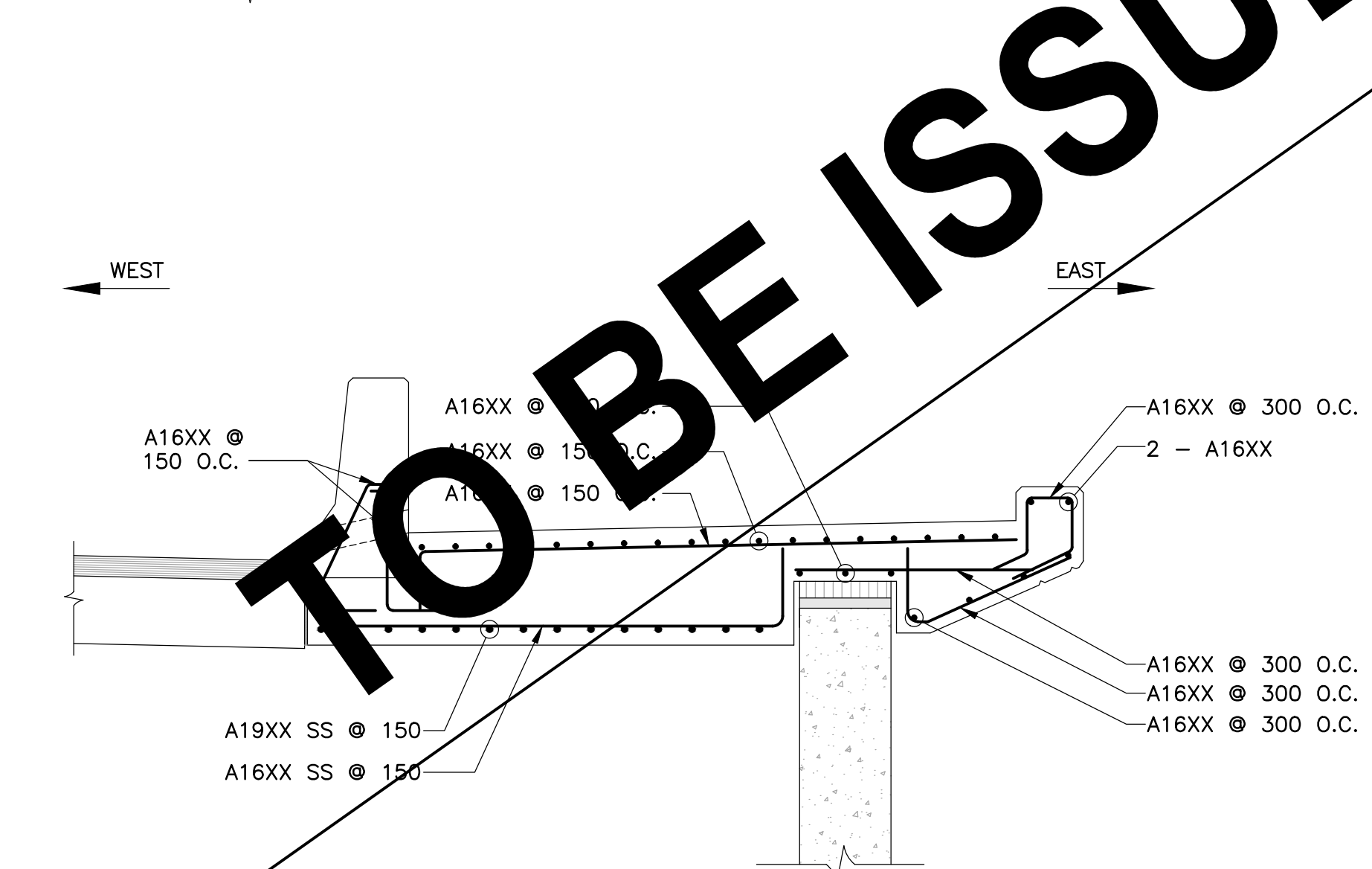


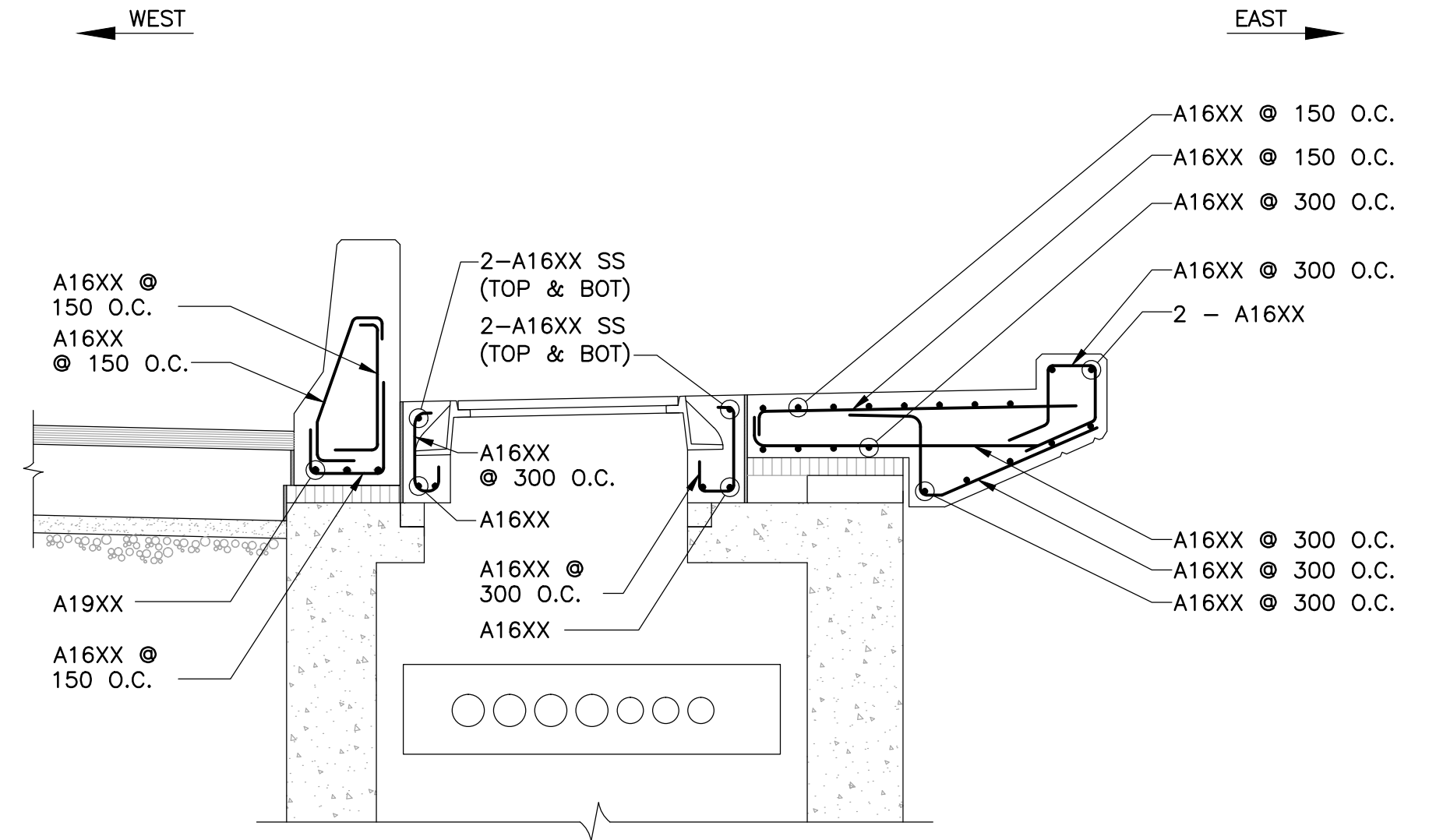
1 SECTION
1 : 30



2 SECTION
1 : 30



3 SECTION
1 : 25



4 SECTION
1 : 25

TO BE ISSUED FOR ADDENDUM



B.M. ELEV.	F.B.	NO.	REVISIONS	DATE	BY

WARDROP ATETRA TECH COMPANY	
DESIGNED BY S.Y.	CHECKED BY
DRAWN BY C.T.	APPROVED BY
HOR. SCALE: AS NOTED	RELEASED FOR CONSTRUCTION DATE
VERTICAL: AS NOTED	DATE 10.10.20
MATT CHISLETT, P. ENG. BRIDGE PROJECTS ENGINEER	

THE CITY OF WINNIPEG PUBLIC WORKS DEPARTMENT ENGINEERING DIVISION	
OSBORNE STREET BRIDGE REHABILITATION & RELATED WORKS	CITY DRAWING NUMBER B109-11-047 SHEET OF 42 131
SOUTH ABUTMENT AND APPROACH SLAB PHASE 1 REINFORCING	42