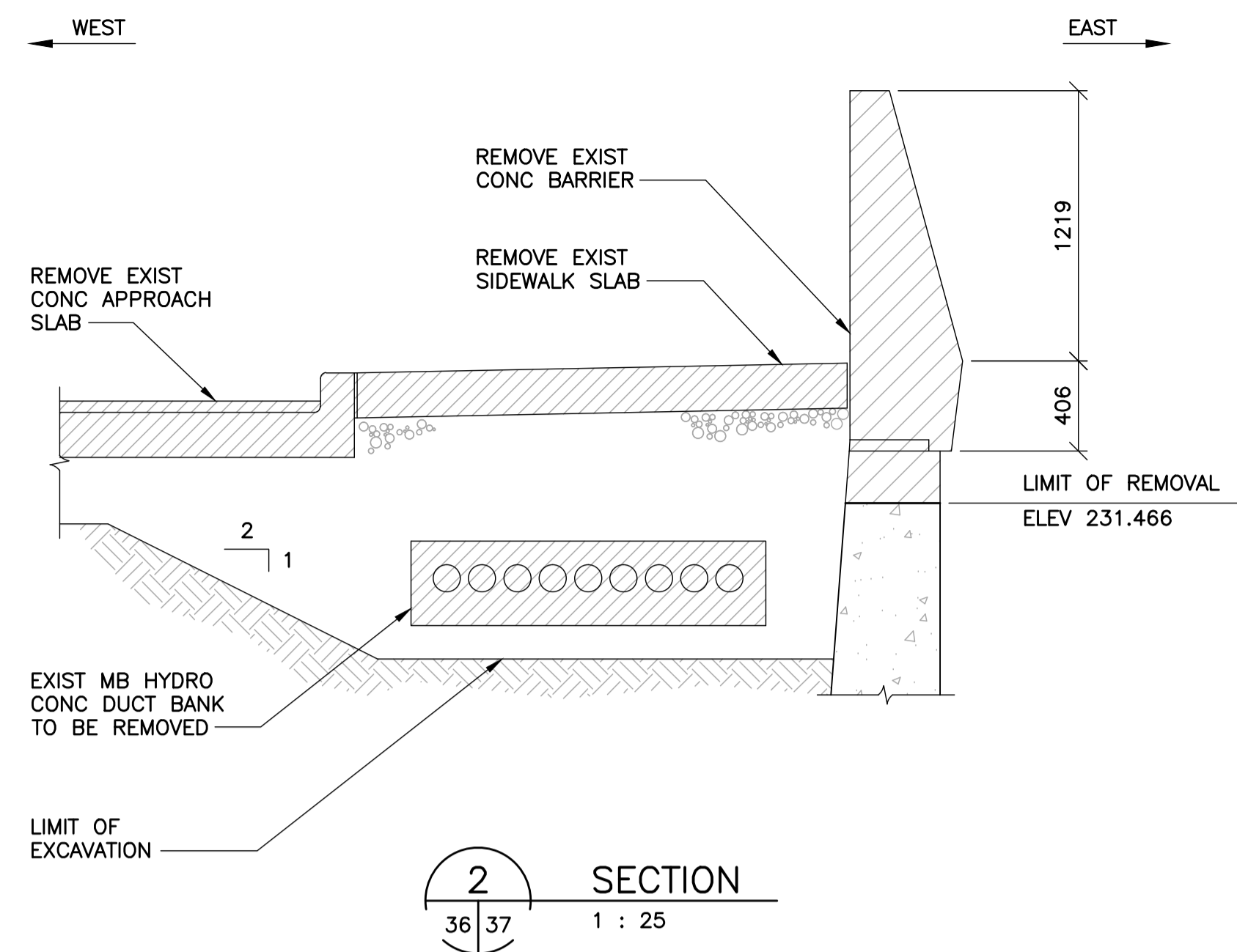
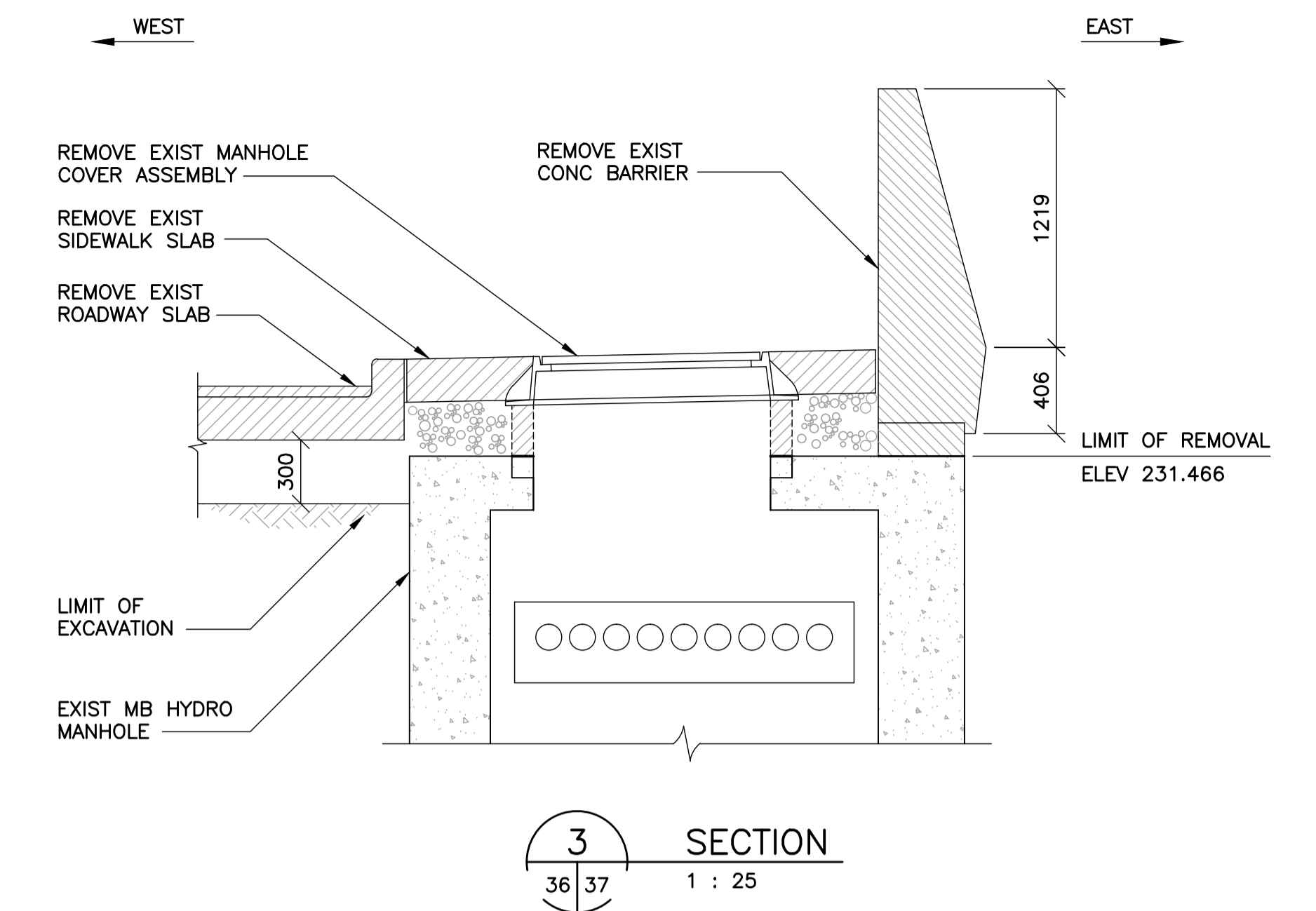


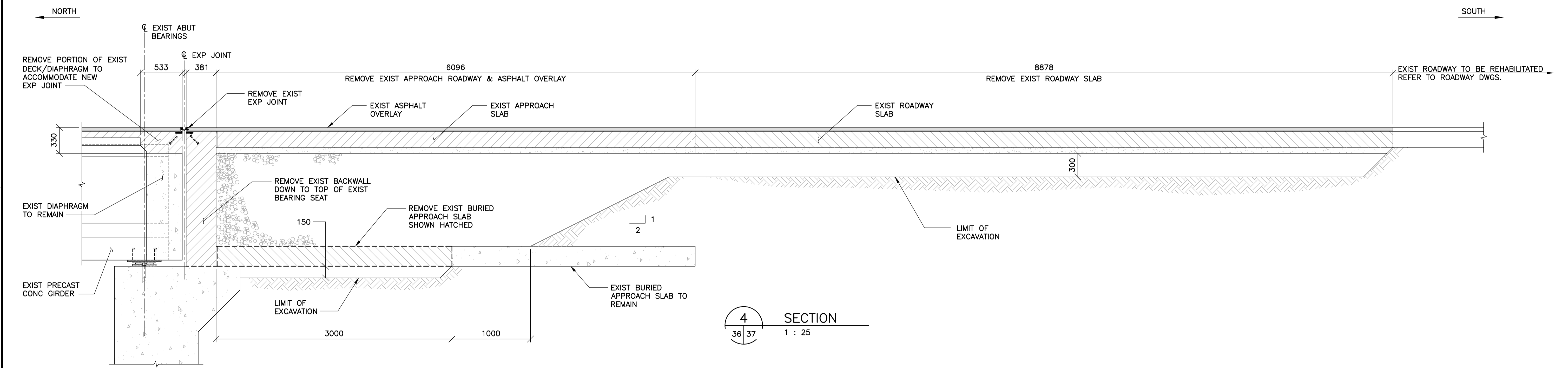
1 SOUTH EAST ELEVATION
36 37 1 : 75



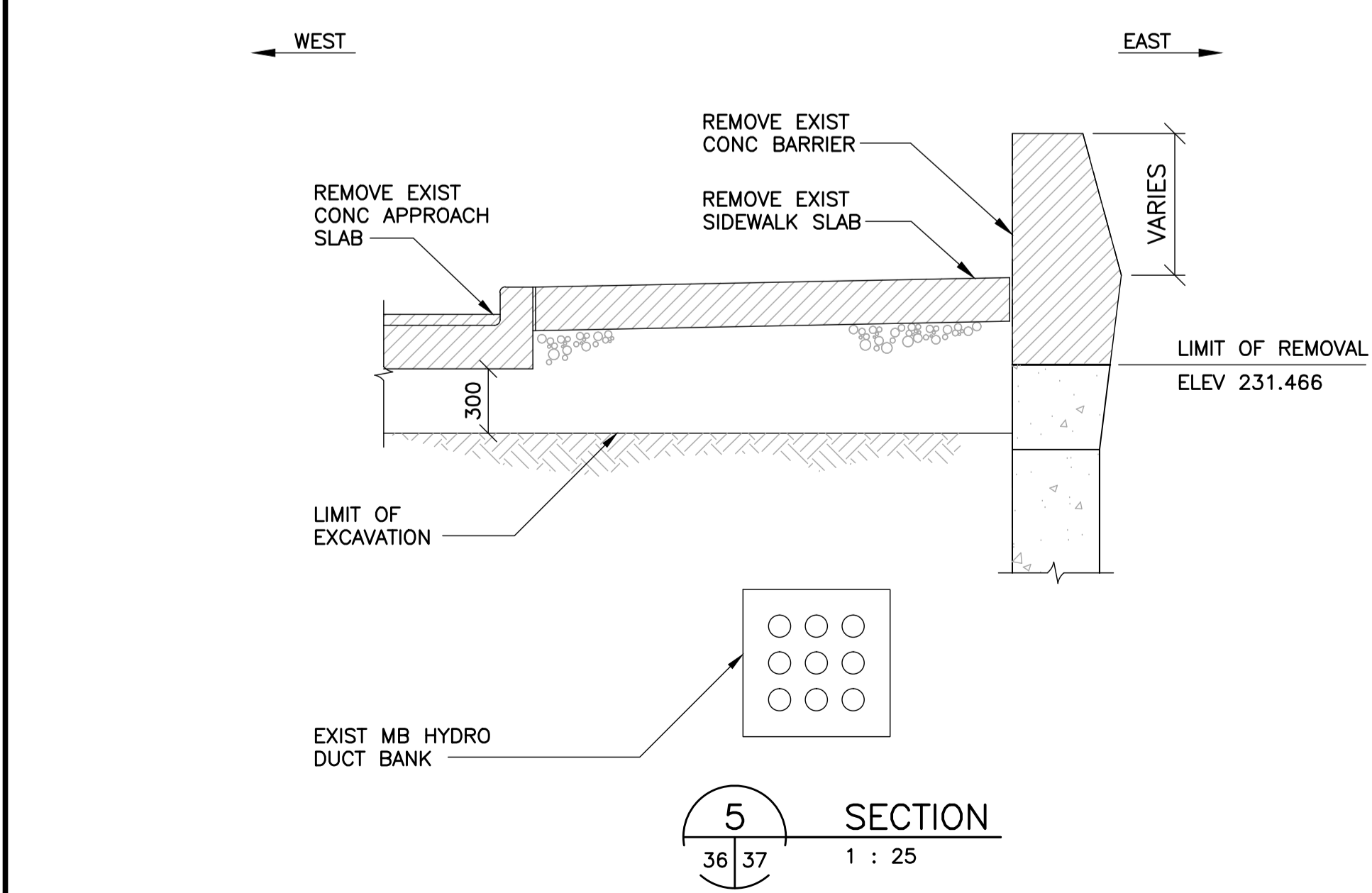
2 SECTION
36 37 1 : 25



3 SECTION
36 37 1 : 25



4 SECTION
36 37 1 : 25

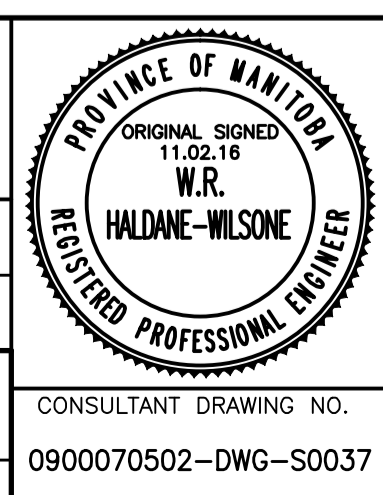


5 SECTION
36 37 1 : 25



B.M. ELEV.	F.B.		
00	ISSUED FOR TENDER	11.02.18	RHW
NO.	REVISIONS	DATE	BY

WARDROP A TETRA TECH COMPANY	
DESIGNED BY S.Y.	CHECKED BY R.H.W.
DRAWN BY B.M.	APPROVED BY R.H.W.
HOR. SCALE: AS NOTED	RELEASED FOR CONSTRUCTION DATE 11.02.16
VERTICAL: AS NOTED	ORIGINAL SIGNED DATE 11.02.16
DATE 10.10.20	MATT CHISLETT, P.ENG BRIDGE PROJECTS ENGINEER



THE CITY OF WINNIPEG PUBLIC WORKS DEPARTMENT ENGINEERING DIVISION	
OSBORNE STREET BRIDGE REHABILITATION & RELATED WORKS	
SOUTH ABUTMENT AND APPROACH SLAB PHASE 1 REMOVAL	
CITY DRAWING NUMBER B109-11-042	SHEET 37 OF 131
CONSULTANT DRAWING NO. 0900070502-DWG-S0037	
37	