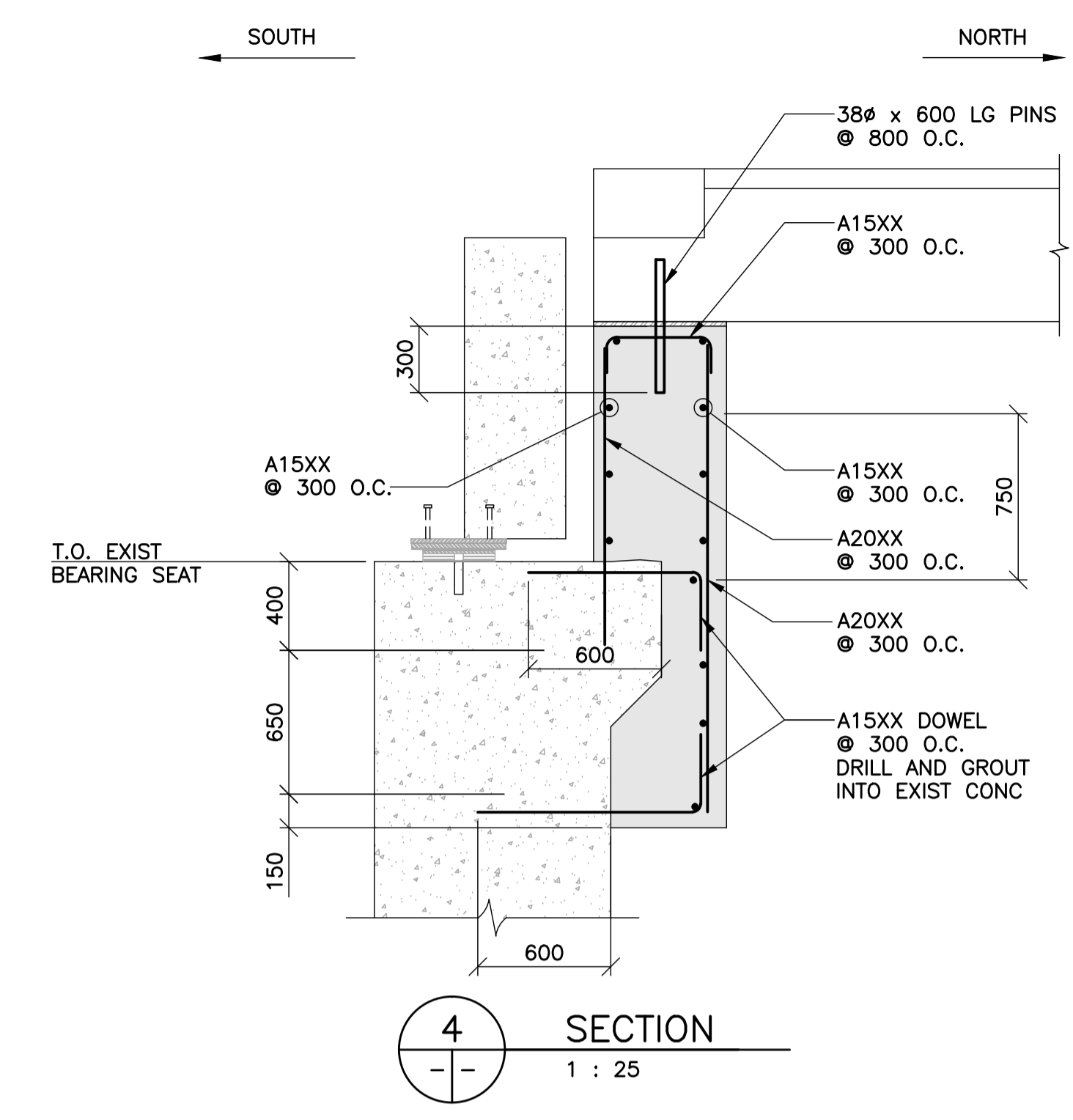
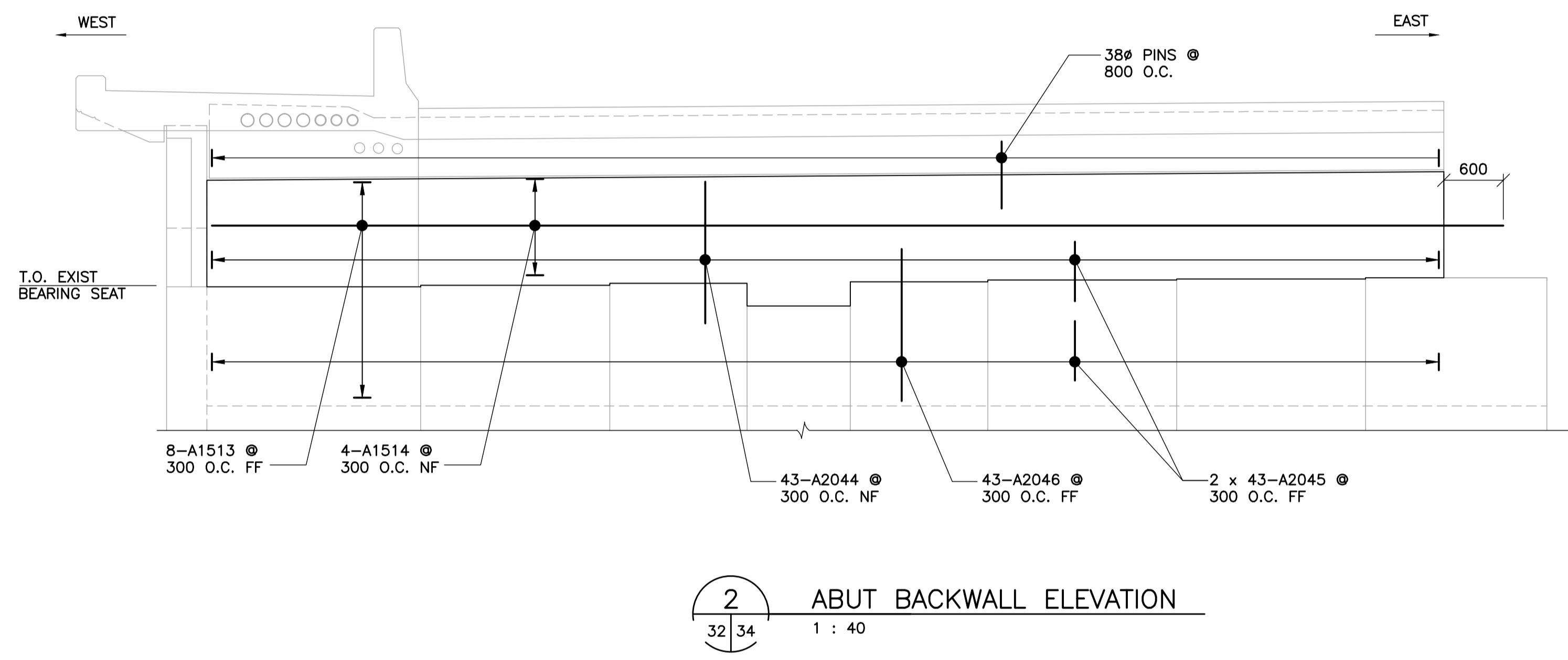


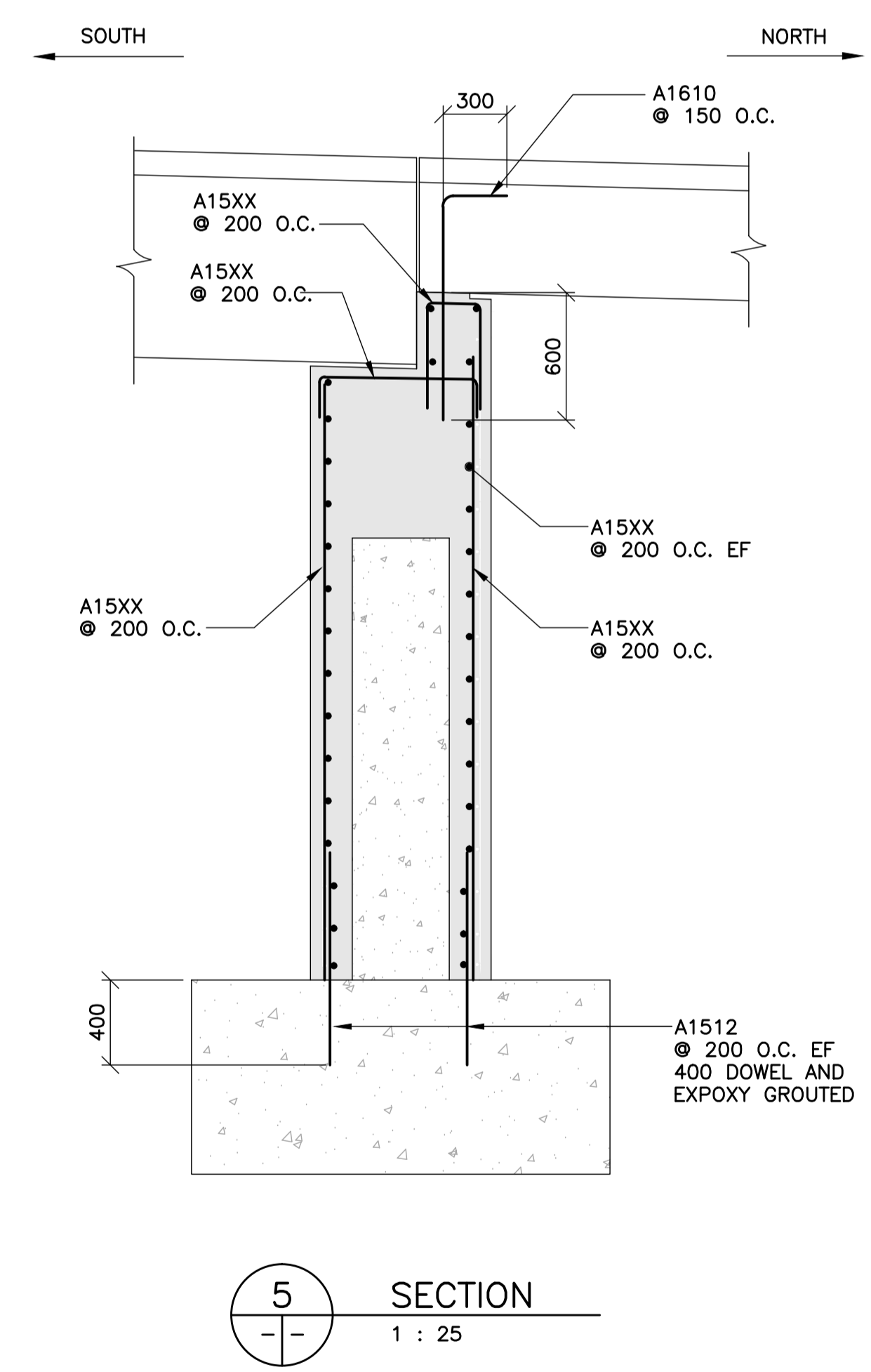
1 SECTION AT RETAINING WALL  
1 : 40



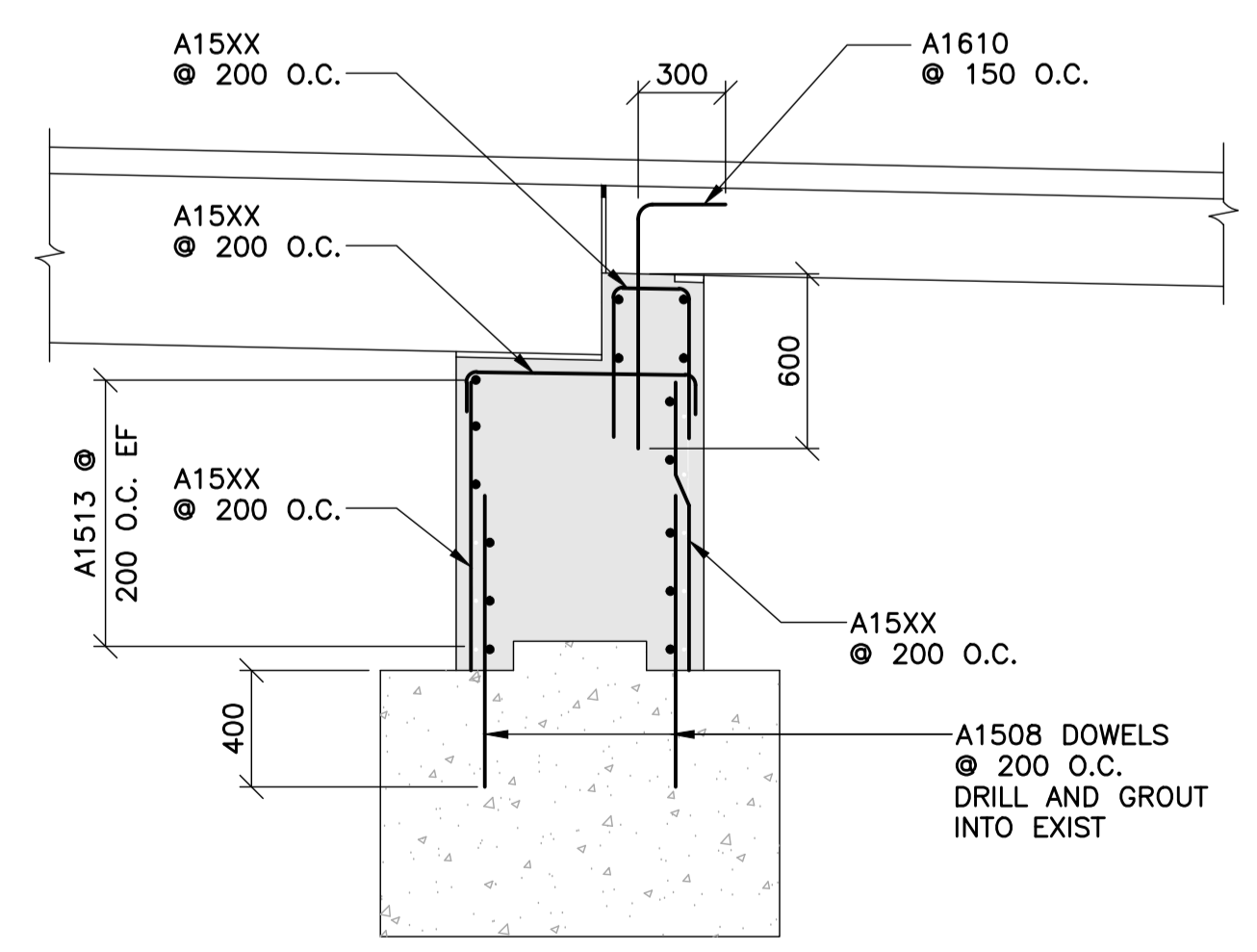
4 SECTION  
1 : 25



2 ABUT BACKWALL ELEVATION  
1 : 40



5 SECTION  
1 : 25

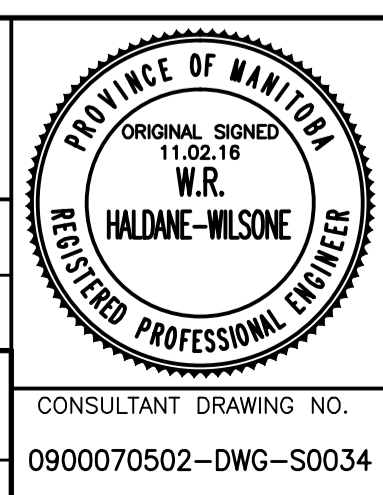


3 SECTION  
1 : 25



B.M. ELEV.	F.B.		
00	ISSUED FOR TENDER	11.02.08	RHW
NO.	REVISIONS	DATE	BY

<b>WARDROP</b> A TETRA TECH COMPANY	
DESIGNED BY S.Y.	CHECKED BY R.H.W.
DRAWN BY B.M.	APPROVED BY R.H.W.
HOR. SCALE: AS NOTED	RELEASED FOR CONSTRUCTION DATE 11.02.16
VERTICAL: AS NOTED	ORIGINAL SIGNED DATE 11.02.16
DATE 10.10.20	MATT CHISLETT, P. ENG. BRIDGE PROJECTS ENGINEER



<b>THE CITY OF WINNIPEG</b> PUBLIC WORKS DEPARTMENT ENGINEERING DIVISION	
<b>OSBORNE STREET BRIDGE</b> REHABILITATION & RELATED WORKS	
NORTH ABUTMENT AND APPROACH SLAB PHASE 2 REINFORCING	
CITY DRAWING NUMBER B109-11-039	SHEET 34 OF 131
CONSULTANT DRAWING NO. 0900070502-DWG-S0034	
<b>34</b>	