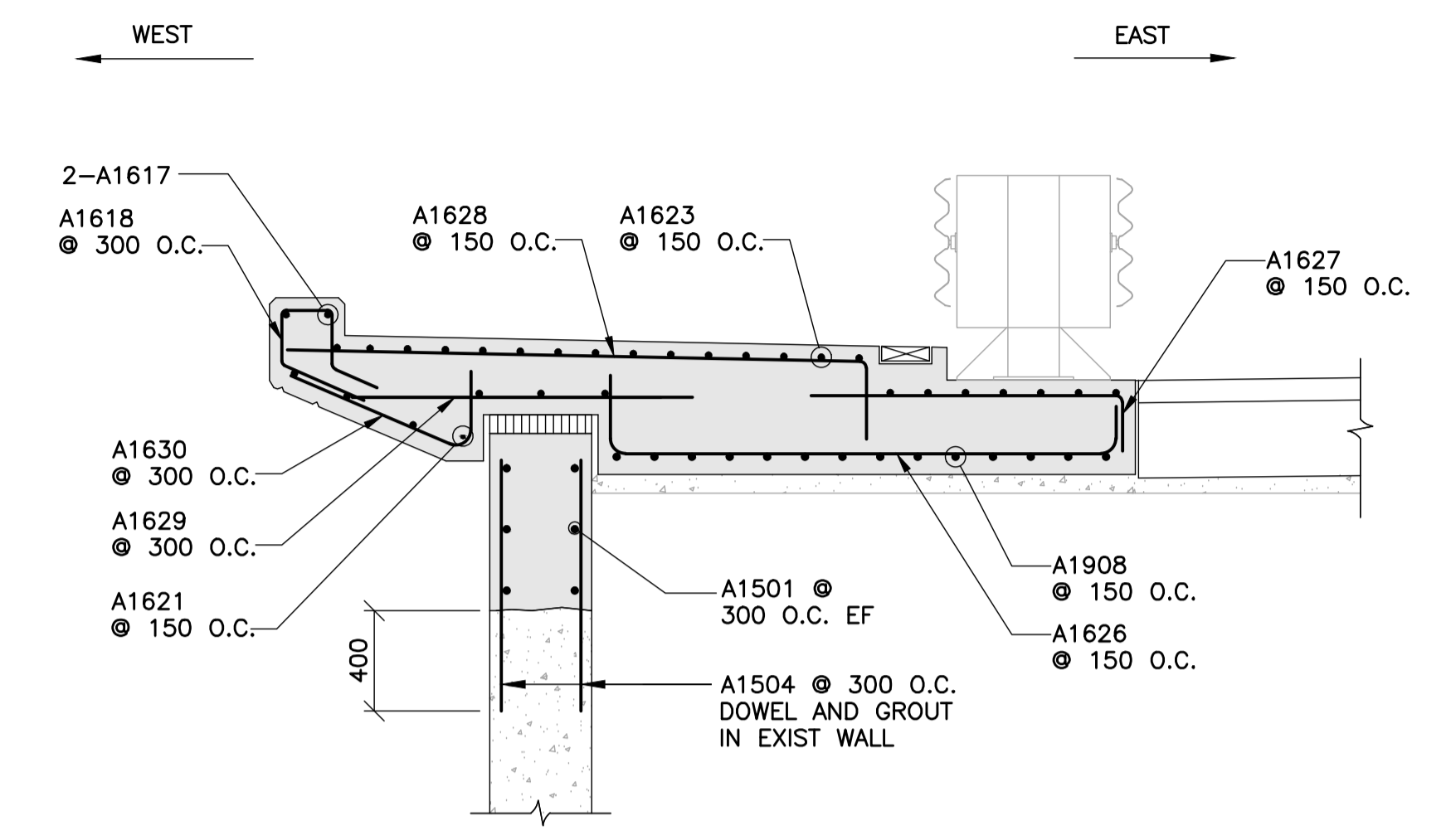
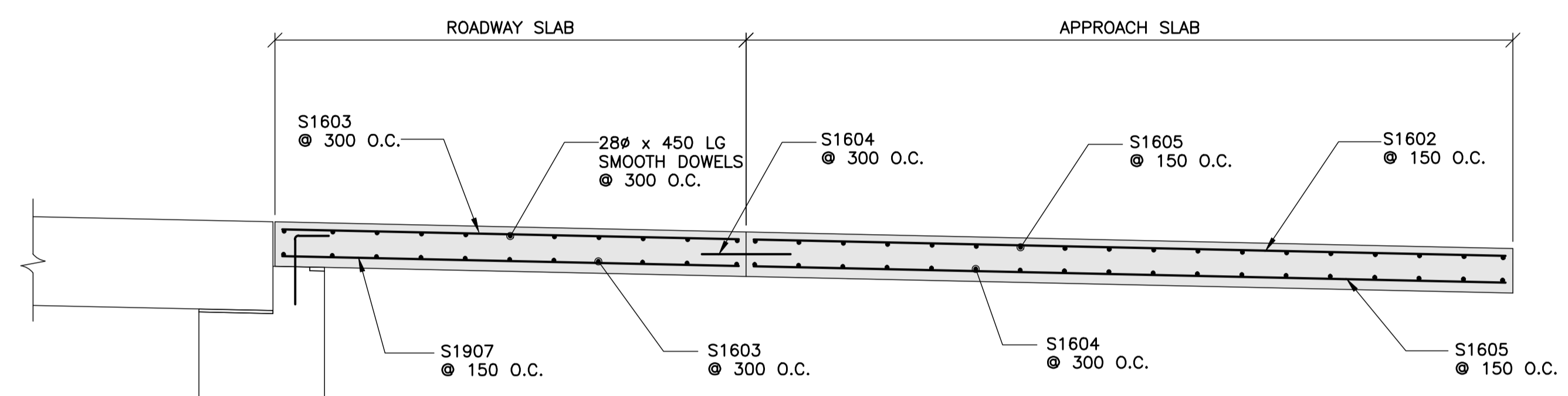


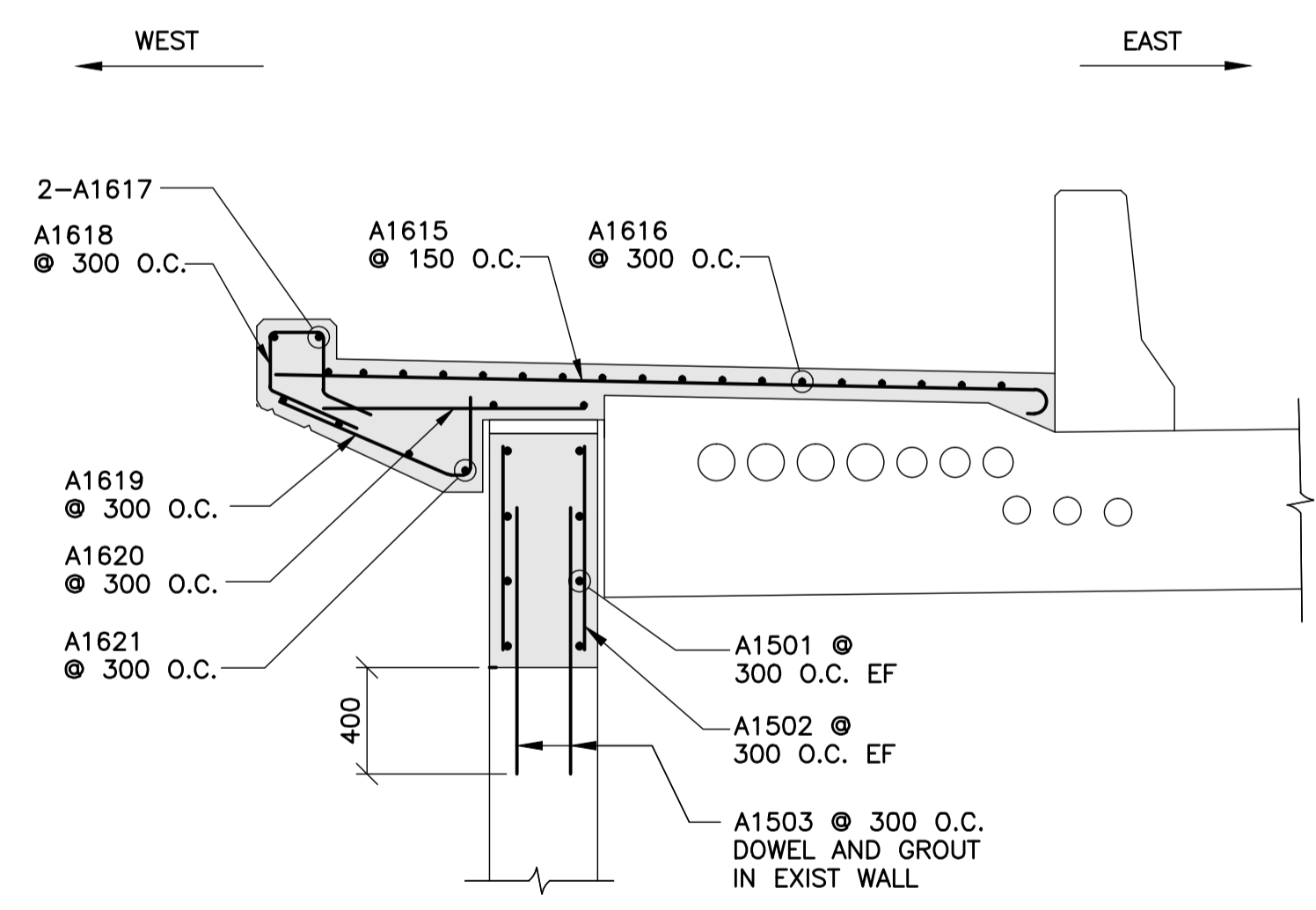
1 SECTION  
32 33 1 : 30



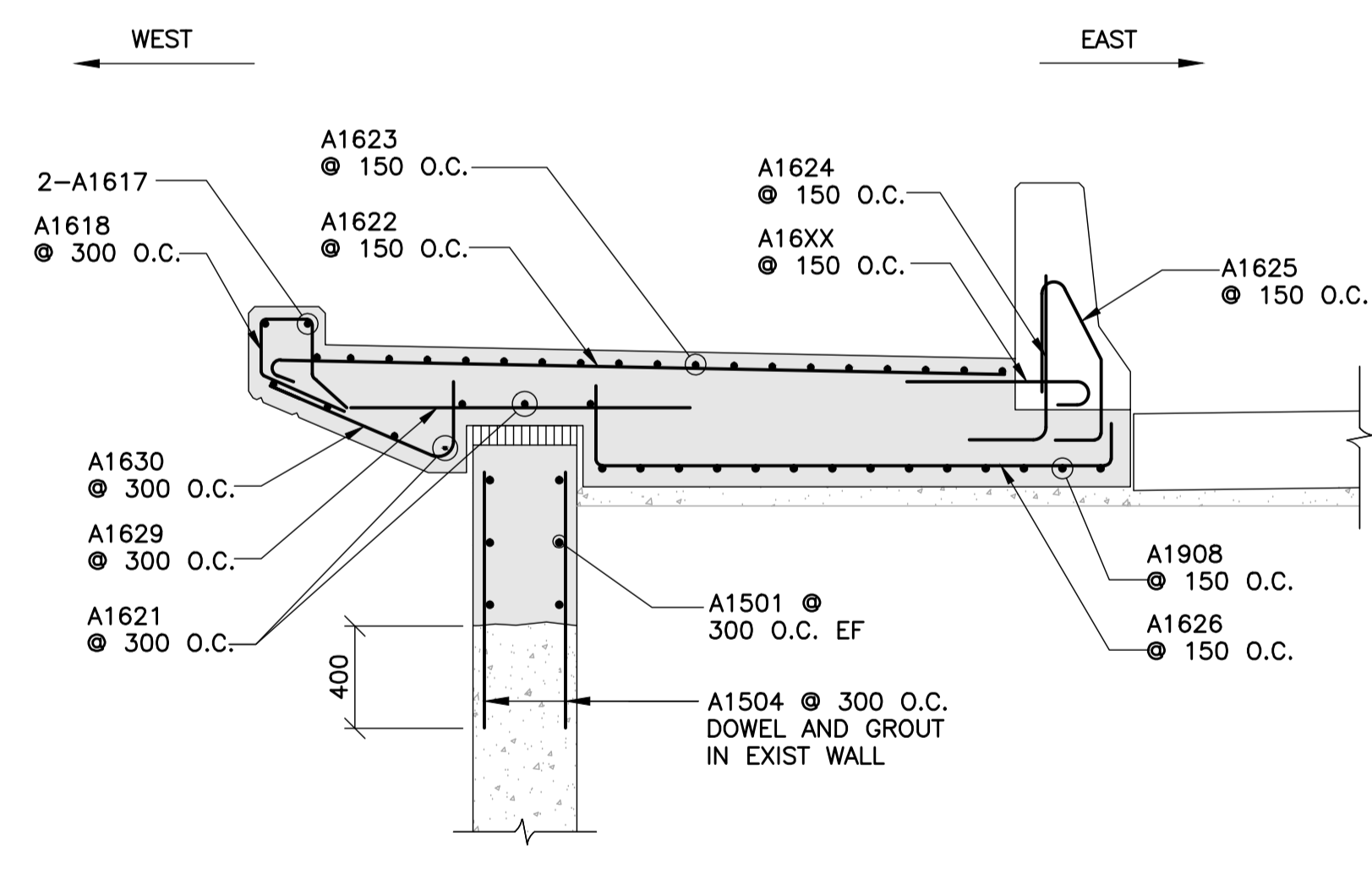
5 SECTION @ QUADGUARD LOCATION  
32 33 1 : 25



2 SECTION  
32 33 1 : 30



3 SECTION @ ABUTMENT SIDEWALK  
32 33 1 : 25

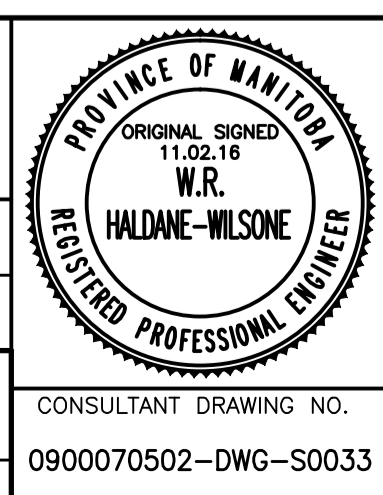


4 SECTION @ APPROACH SIDEWALK SLAB  
32 33 1 : 25



|                      |          |     |  |
|----------------------|----------|-----|--|
| B.M. ELEV.           | F.B.     |     |  |
|                      |          |     |  |
|                      |          |     |  |
|                      |          |     |  |
| 00 ISSUED FOR TENDER | 11.02.08 | RHW |  |
| NO. REVISIONS        | DATE     | BY  |  |

|  |   |
|--|---|
| <b>WARDROP</b><br>A TETRA TECH COMPANY |   |
| DESIGNED BY S.Y.                       | CHECKED BY R.H.W.                               |
| DRAWN BY B.M.                          | APPROVED BY R.H.W.                              |
| HOR. SCALE: AS NOTED                   | RELEASED FOR CONSTRUCTION DATE                  |
| VERTICAL: AS NOTED                     | ORIGINAL SIGNED 11.02.16                        |
| DATE 10.10.20                          | MATT CHISLETT, P. ENG. BRIDGE PROJECTS ENGINEER |



|  |                 |
|--|-----------------|
| <b>THE CITY OF WINNIPEG</b><br>PUBLIC WORKS DEPARTMENT<br>ENGINEERING DIVISION |                 |
| <b>OSBORNE STREET BRIDGE</b><br>REHABILITATION & RELATED WORKS                 |                 |
| <b>NORTH ABUTMENT AND APPROACH SLAB</b><br>PHASE 2 REINFORCING                 |                 |
| CITY DRAWING NUMBER<br>B109-11-038   | SHEET 33 OF 131 |
| CONSULTANT DRAWING NO.<br>0900070502-DWG-S0033                                 |                 |
| 33   |                 |