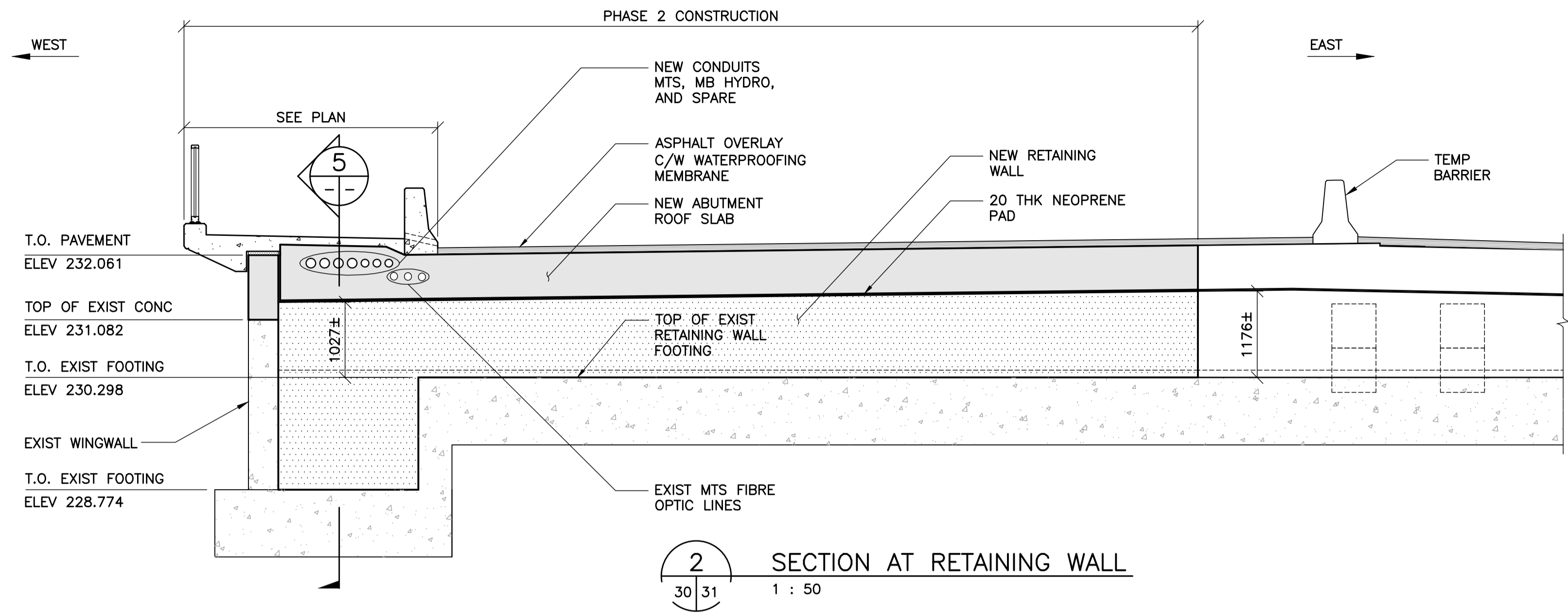
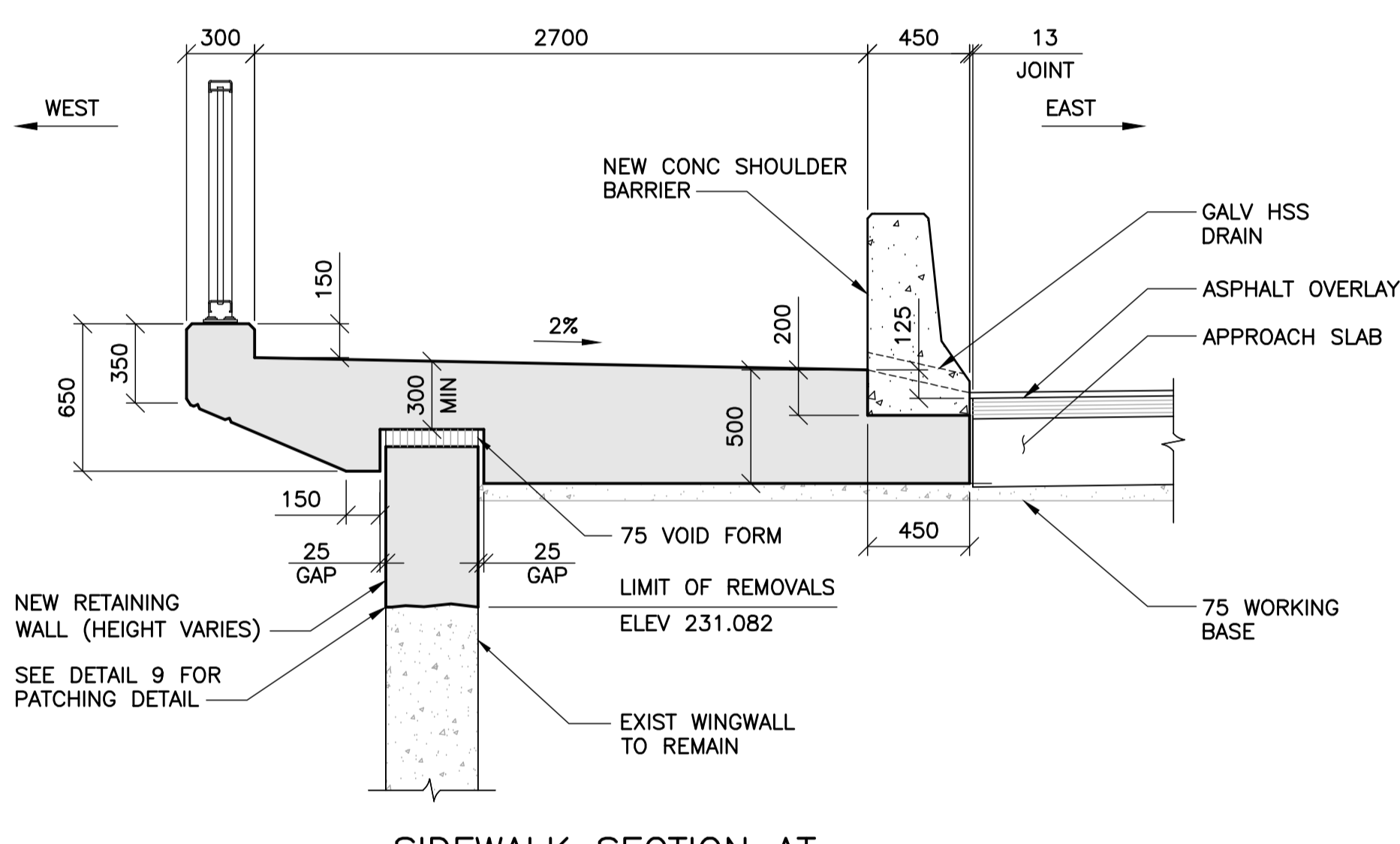


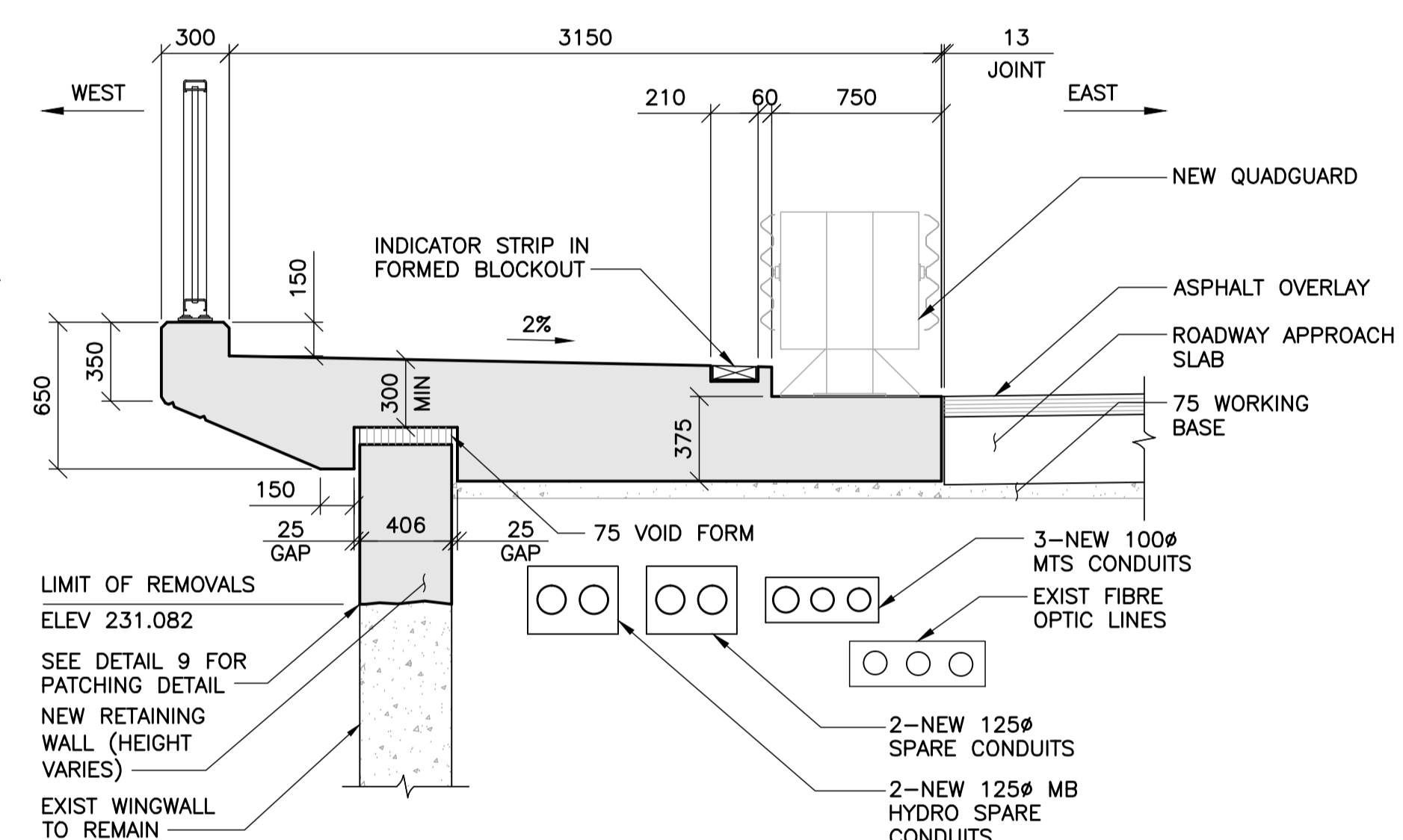
1 NORTHWEST RETAINING WALL
30 31 1 : 75



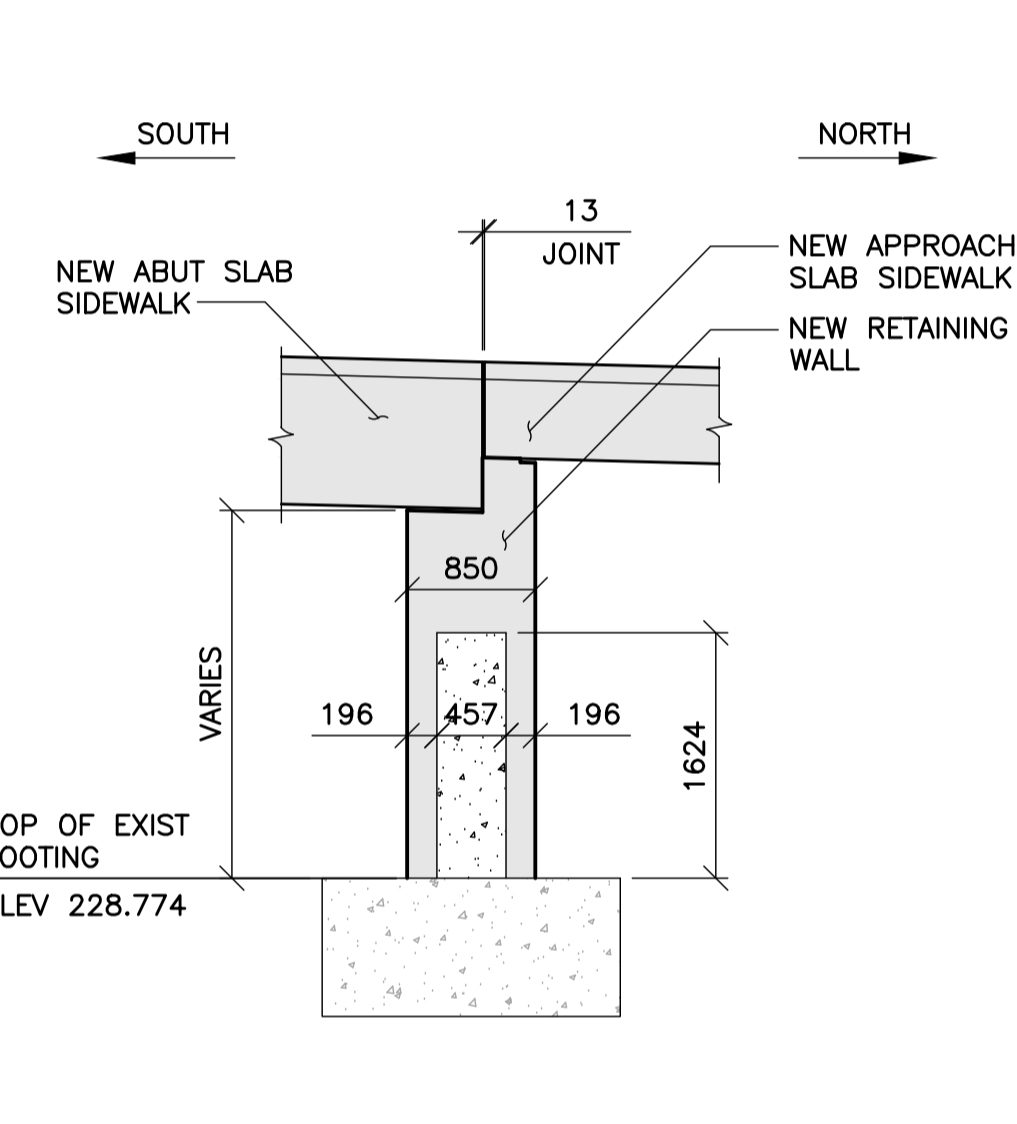
2 SECTION AT RETAINING WALL
30 31 1 : 50



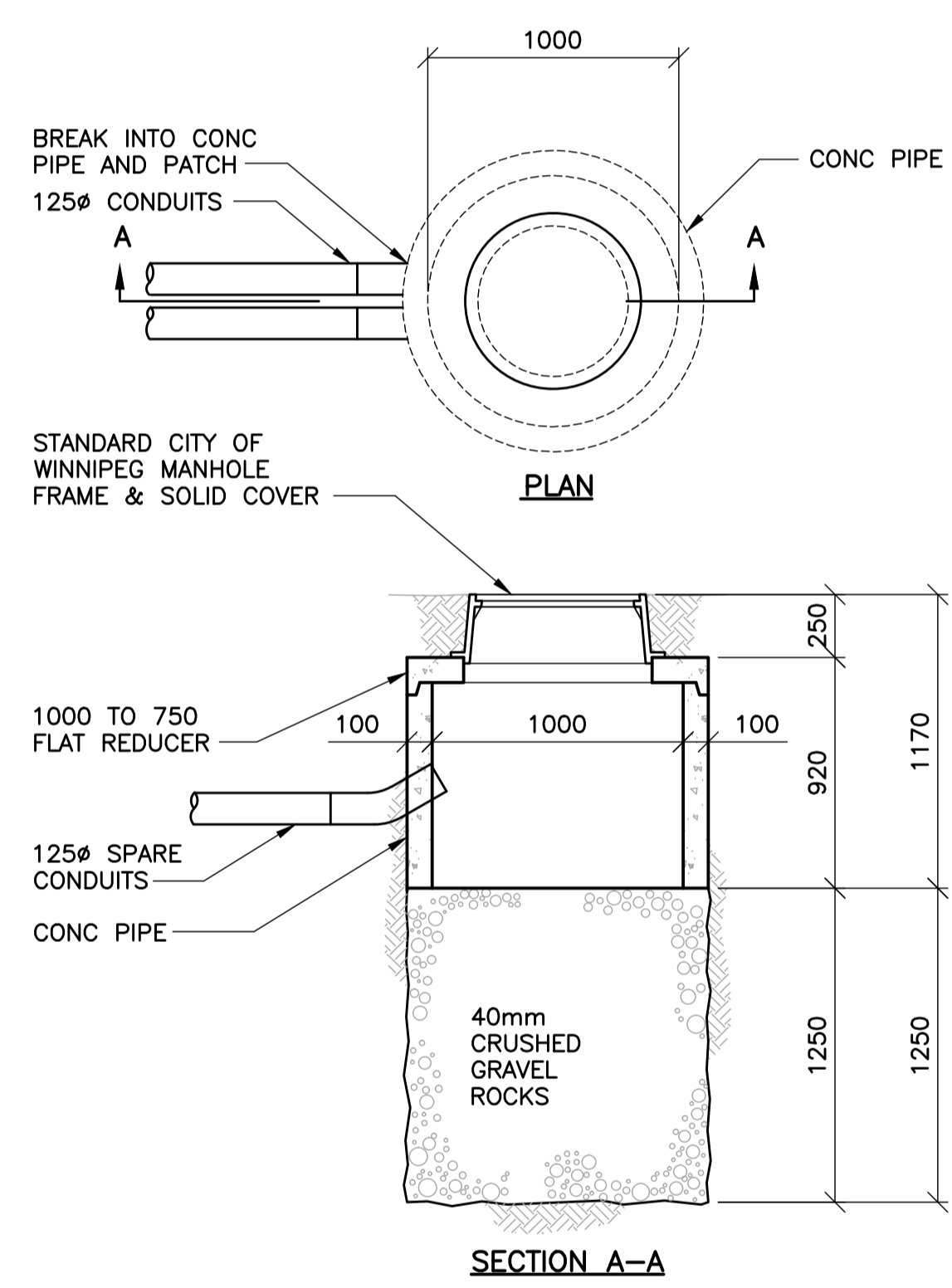
3 SIDEWALK SECTION AT APPROACH SLAB
30 31 1 : 25



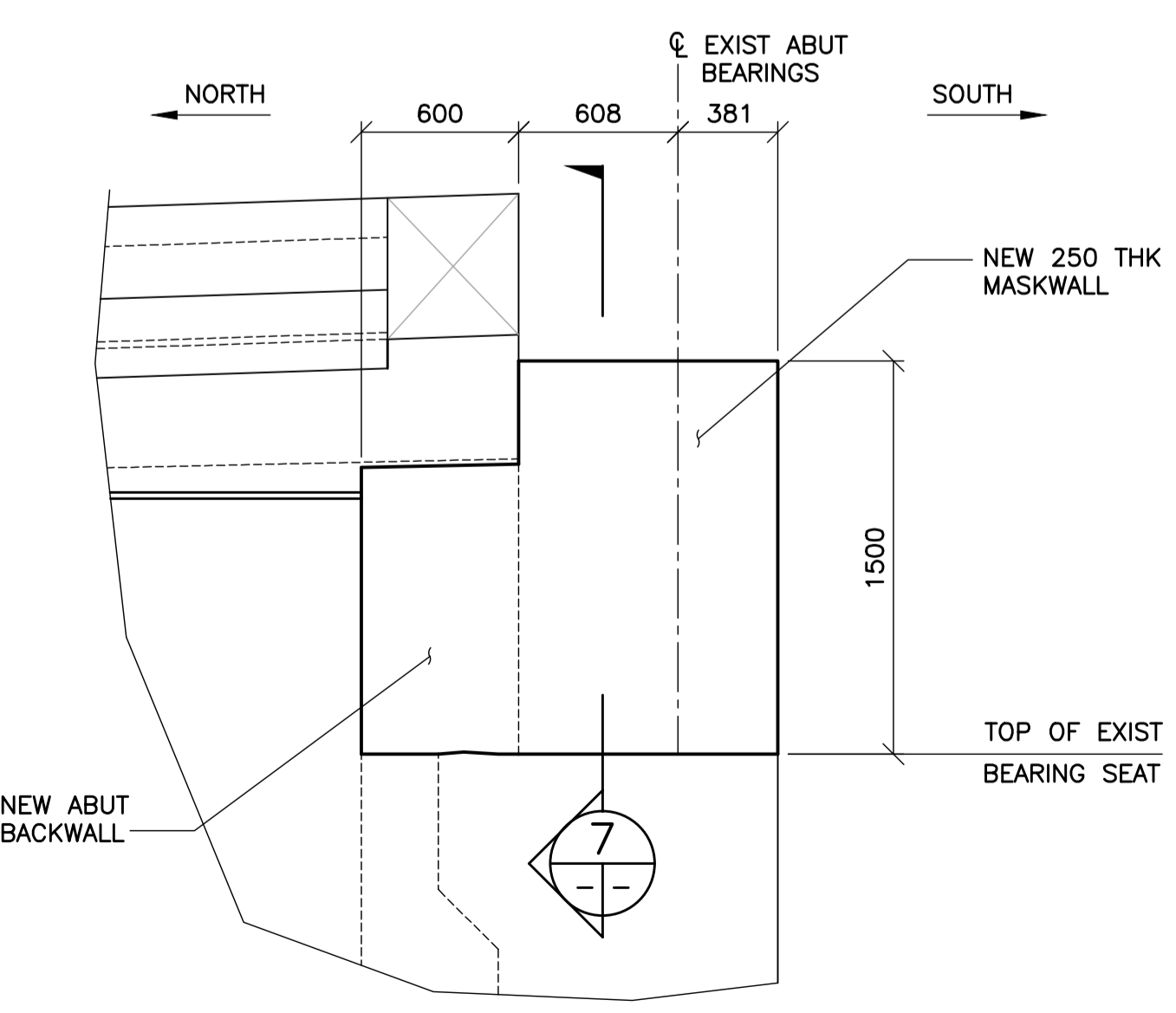
4 SECTION @ QUADGUARD
30 31 1 : 25



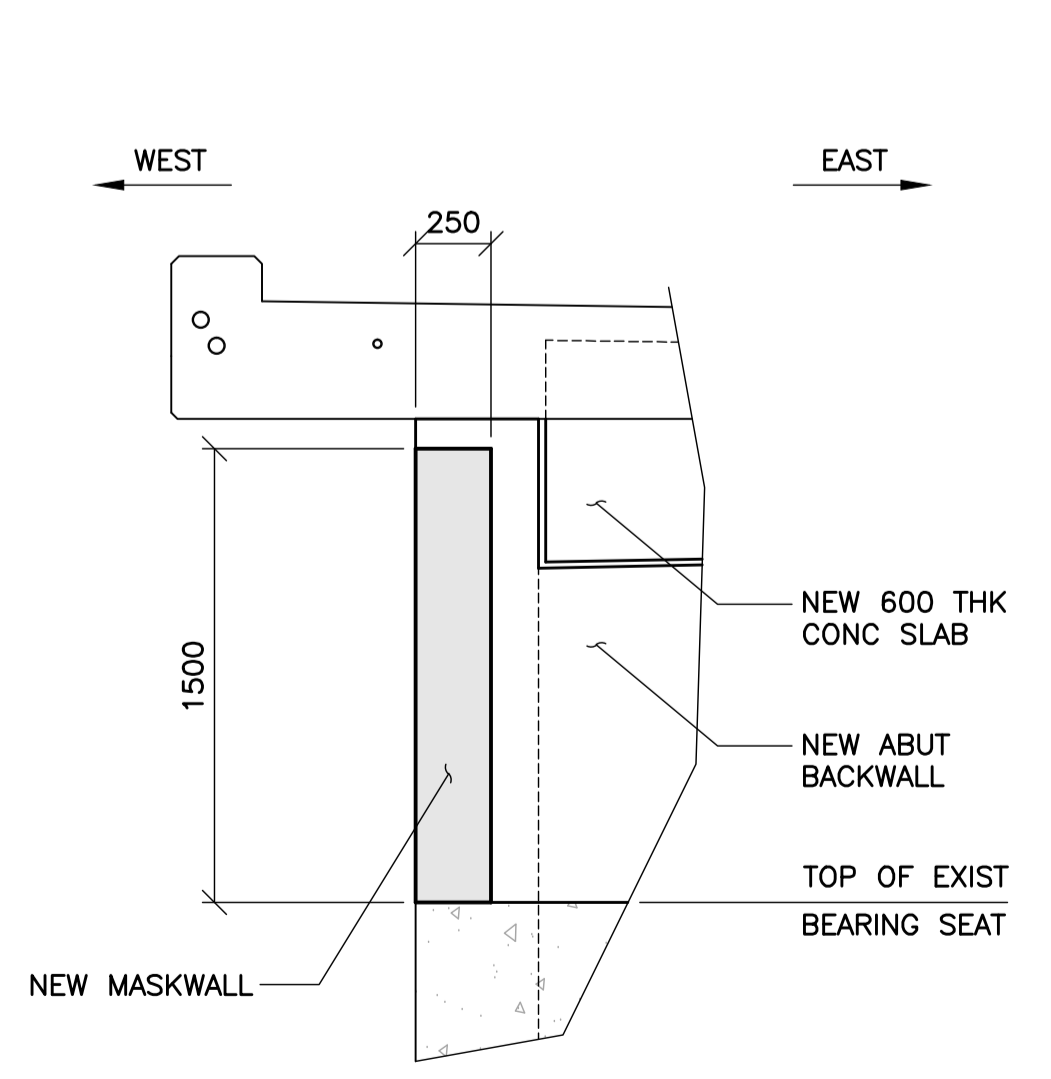
5 SECTION AT RETAINING WALL
30 31 1 : 50



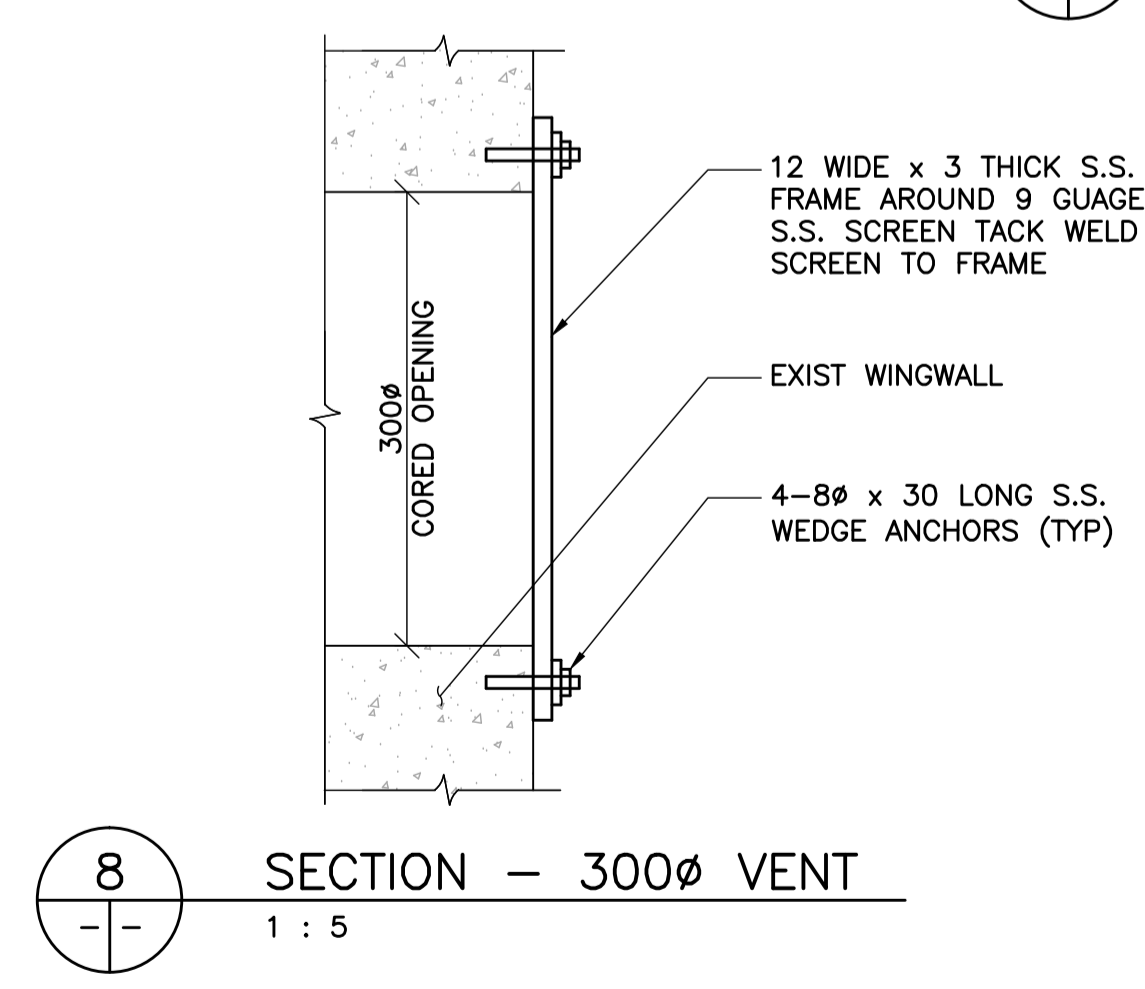
10 SERVICE PIT DETAIL
30 31 1 : 25



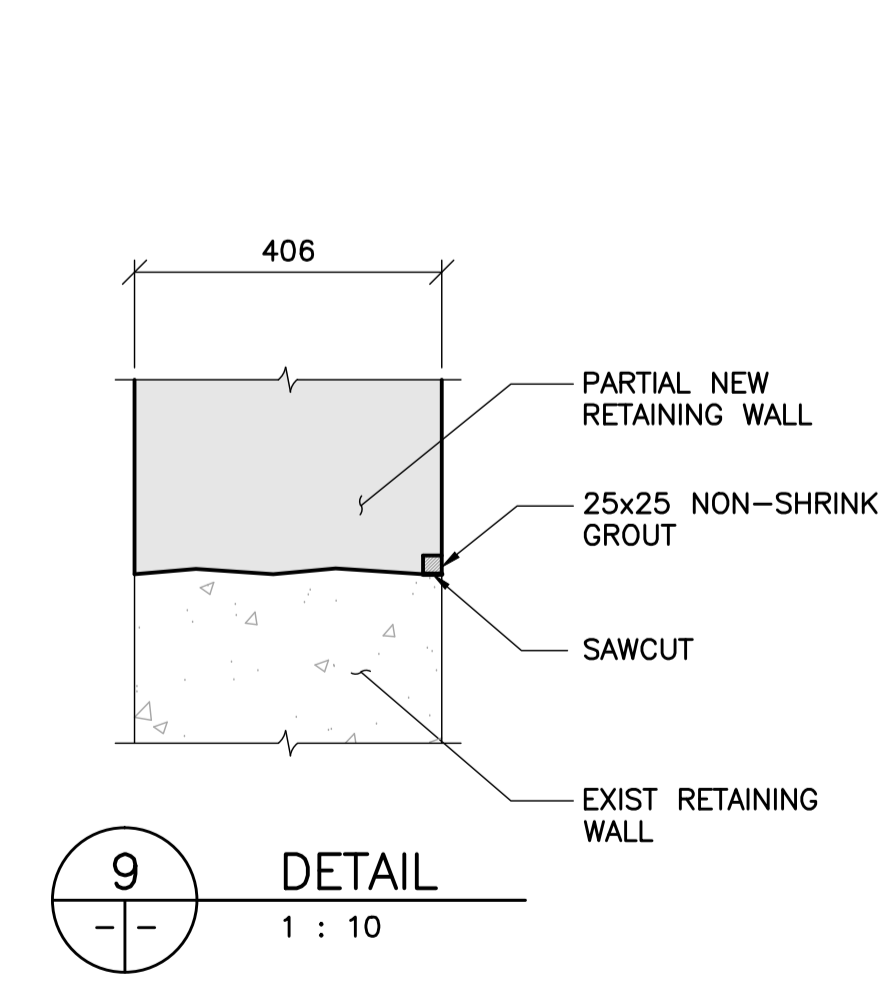
6 PARTIAL ELEVATION - MASKWALL
30 31 1 : 25



7 SECTION - MASKWALL
30 31 1 : 25



8 SECTION - 300Ø VENT
30 31 1 : 5



9 DETAIL
30 31 1 : 10

B.M. ELEV.	F.B.				
DESIGNED BY S.Y.	CHECKED BY R.H.W.				
DRAWN BY B.M.	APPROVED BY R.H.W.	HOR. SCALE: AS NOTED VERTICAL: AS NOTED		DATE: 11.02.16 ORIGINAL SIGNED: 11.02.16	CITY DRAWING NUMBER: B109-11-036 SHEET 31 OF 131
00 ISSUED FOR TENDER	11.02.18 RHW	DATE: 10.10.20	RELEASED FOR CONSTRUCTION ORIGINAL SIGNED: 11.02.16	CONSULTANT DRAWING NO.: 0900070502-DWG-S0031	OSBORNE STREET BRIDGE REHABILITATION & RELATED WORKS NORTH ABUTMENT AND APPROACH SLAB PHASE 2 CONSTRUCTION
NO. REVISIONS		DATE	BY	THE CITY OF WINNIPEG PUBLIC WORKS DEPARTMENT ENGINEERING DIVISION	

APEGM
Certificate of Authorization
Wardrop Engineering Inc.
No. 195 Date: April 30, 2011

REFER TO PHASE 1 CONSTRUCTION FOR TYPICAL JOINT DETAILS