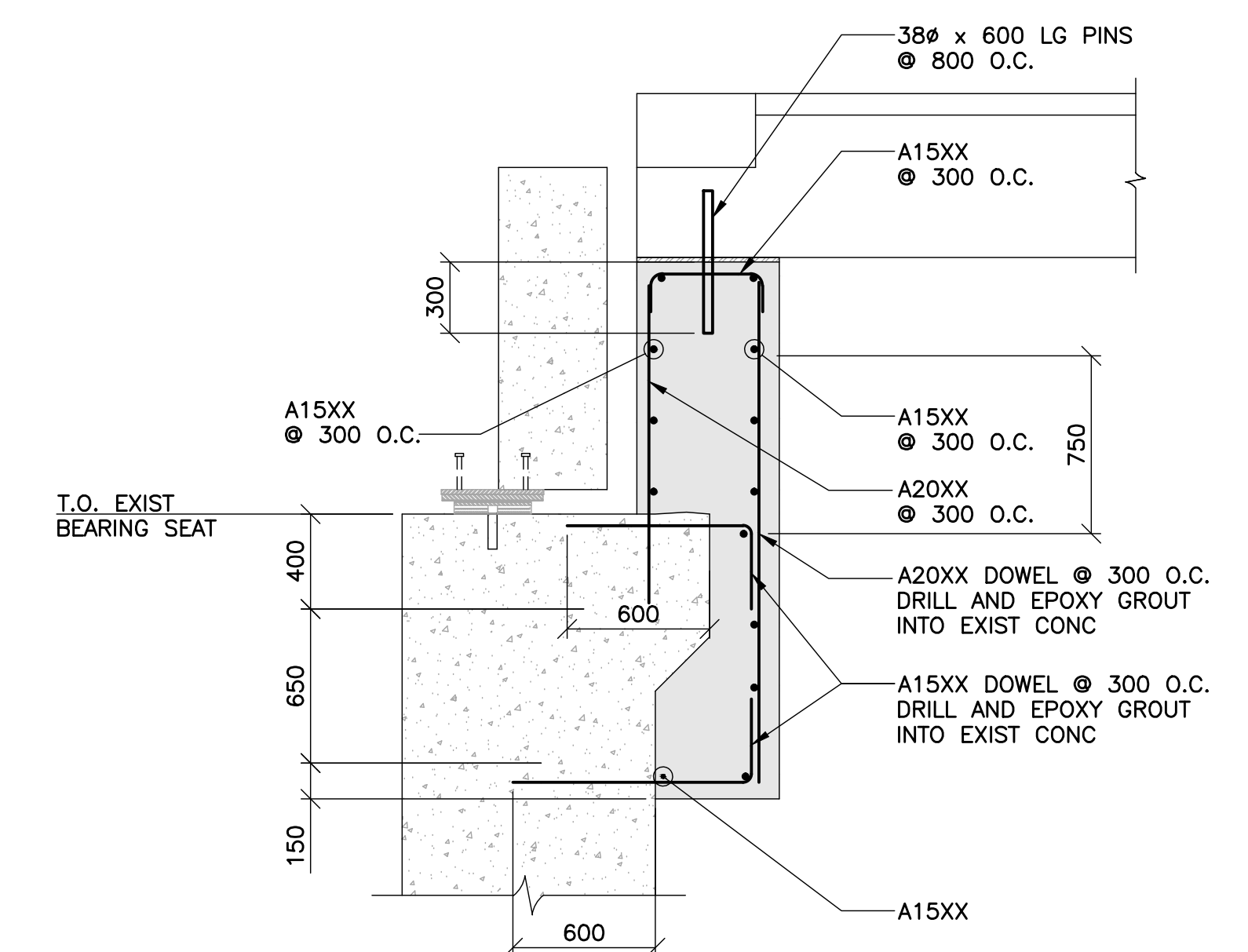
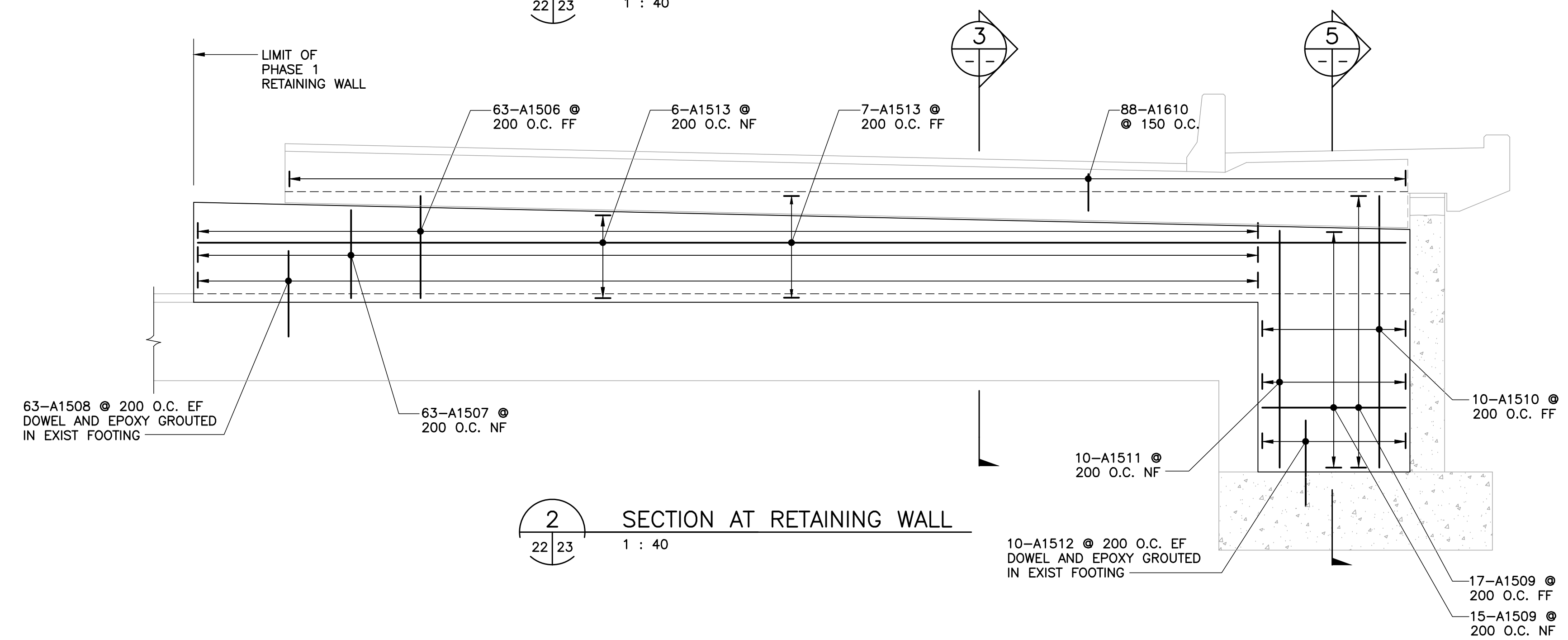


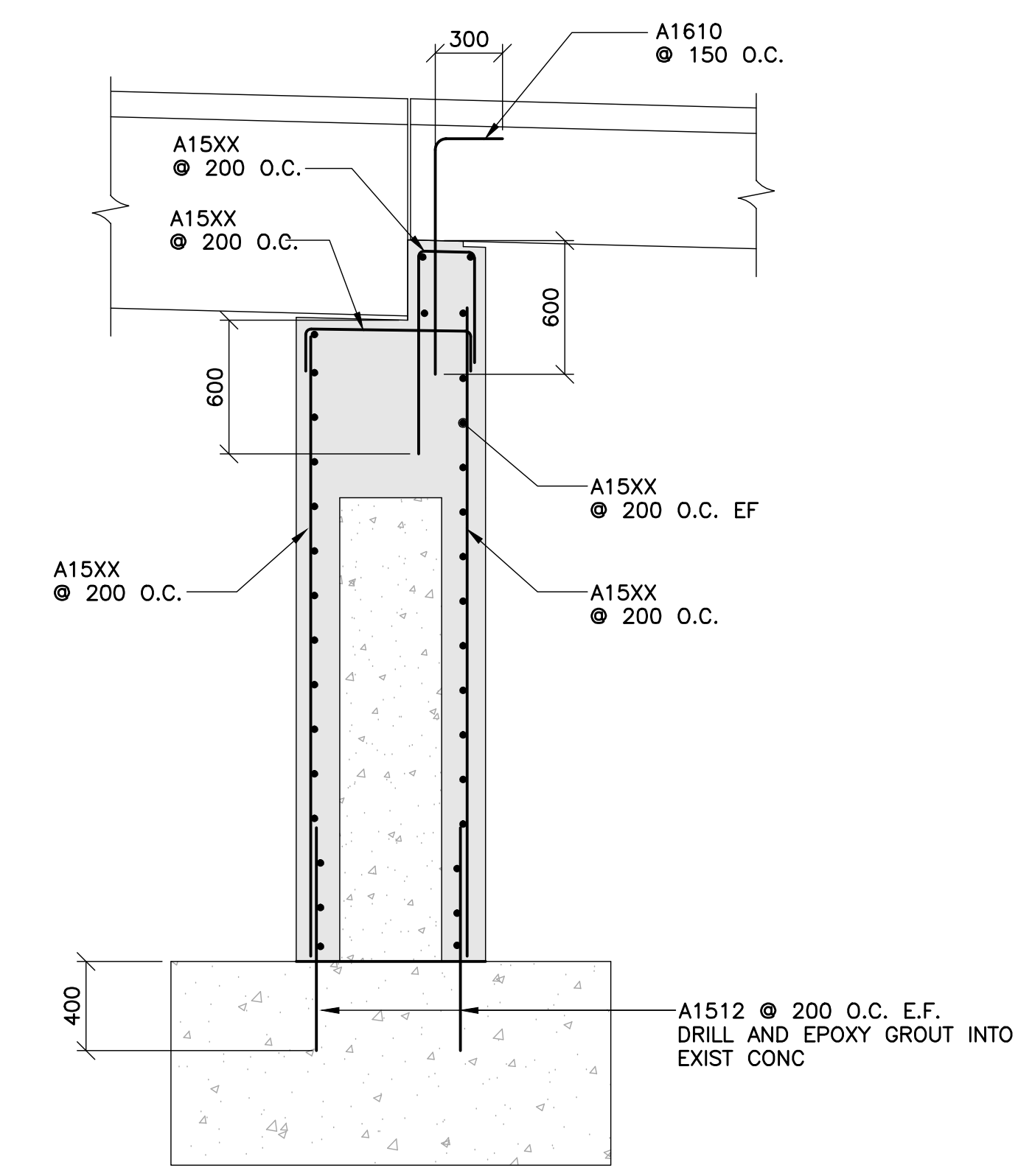
1 ABUT BACKWALL ELEVATION  
1 : 40



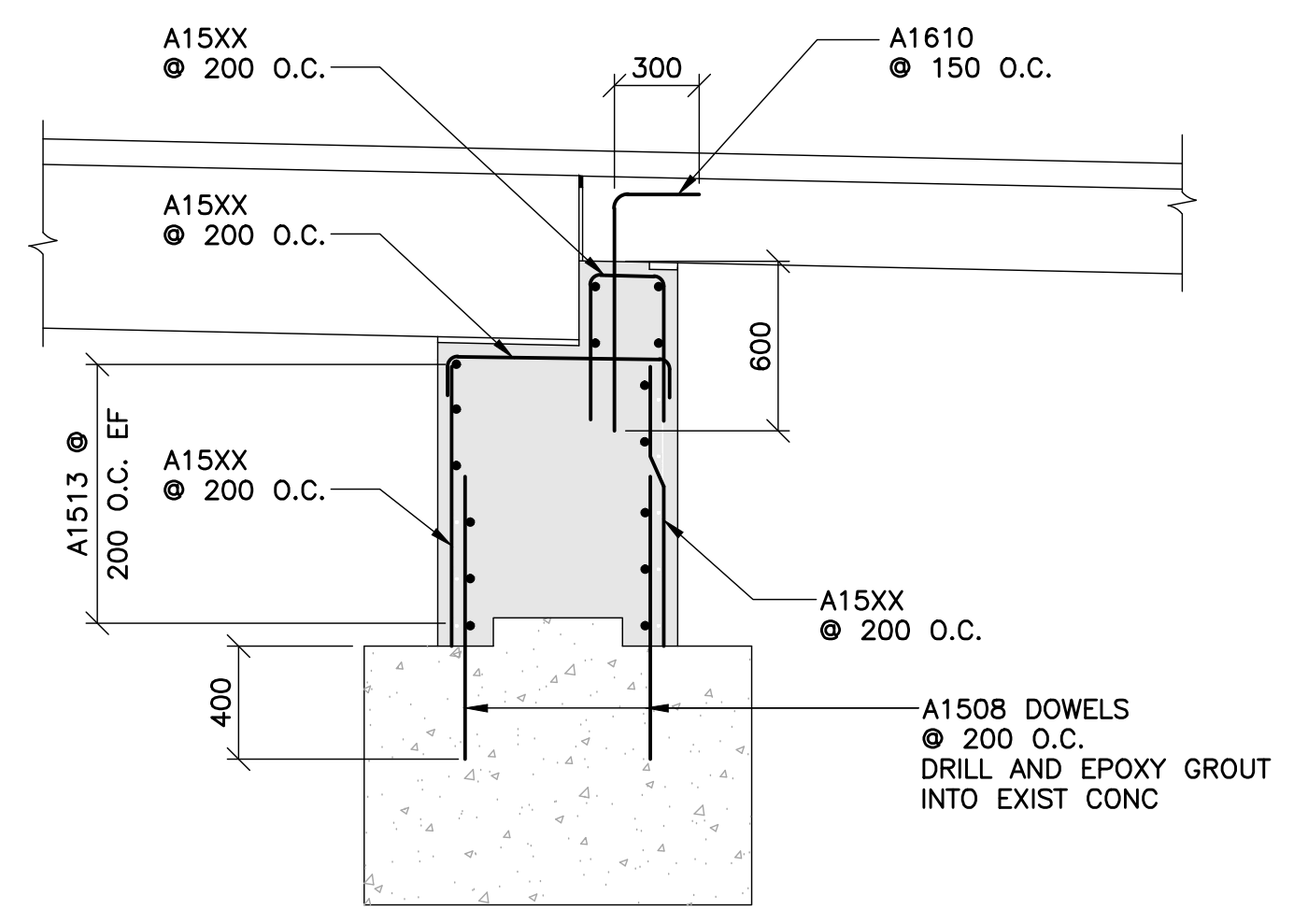
4 NEW ABUTMENT BACKWALL  
1 : 25



2 SECTION AT RETAINING WALL  
1 : 40



5 SECTION  
1 : 25

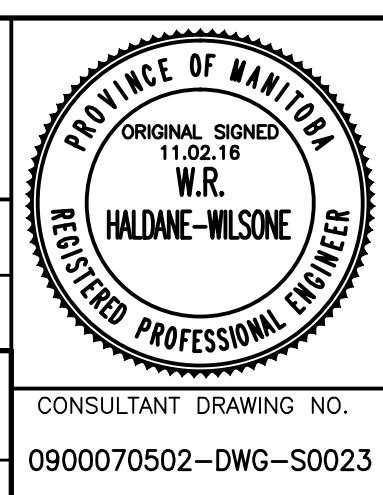


3 SECTION  
1 : 25



B.M. ELEV.	F.B.		
00	ISSUED FOR TENDER	11.02.18	RHW
NO.	REVISIONS	DATE	BY

<b>WARDROP</b> A TETRA TECH COMPANY	
DESIGNED BY S.Y.	CHECKED BY R.H.W.
DRAWN BY H.A.	APPROVED BY R.H.W.
HOR. SCALE: AS NOTED	RELEASED FOR CONSTRUCTION DATE 11.02.16
VERTICAL: AS NOTED	ORIGINAL SIGNED 11.02.16
DATE 10.10.20	MATT CHISLETT, P. ENG. BRIDGE PROJECTS ENGINEER



<b>THE CITY OF WINNIPEG</b> PUBLIC WORKS DEPARTMENT ENGINEERING DIVISION	
<b>OSBORNE STREET BRIDGE</b> REHABILITATION & RELATED WORKS	
NORTH ABUTMENT AND APPROACH SLAB PHASE 1 REINFORCING	
CITY DRAWING NUMBER B109-11-028	SHEET 23 OF 131
23	