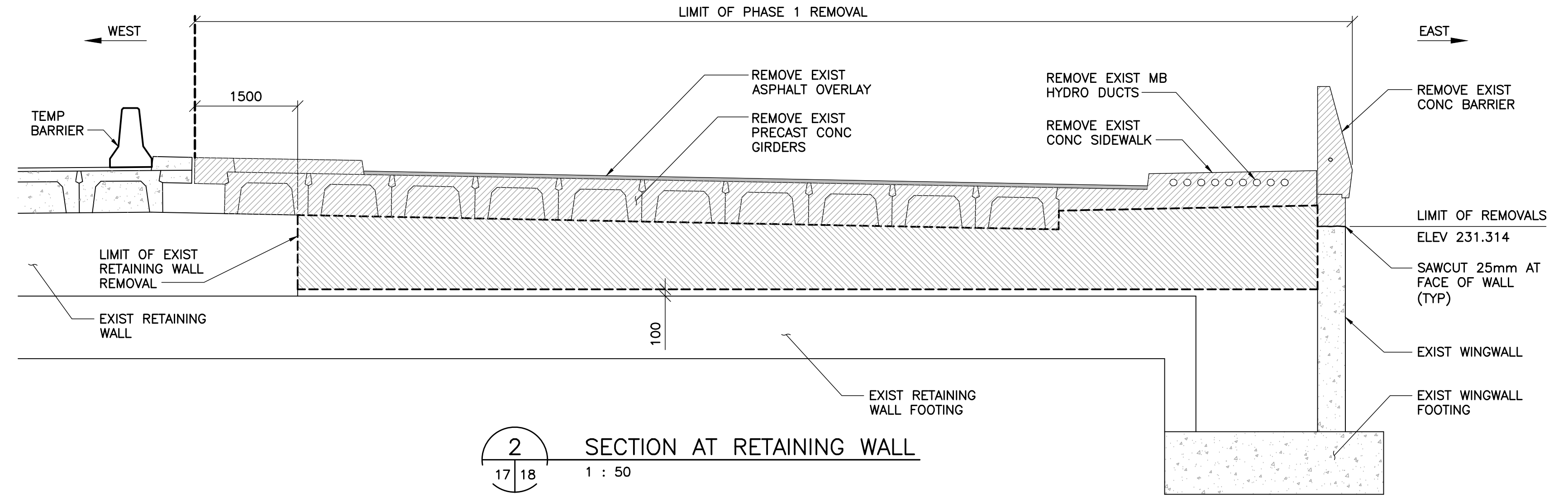
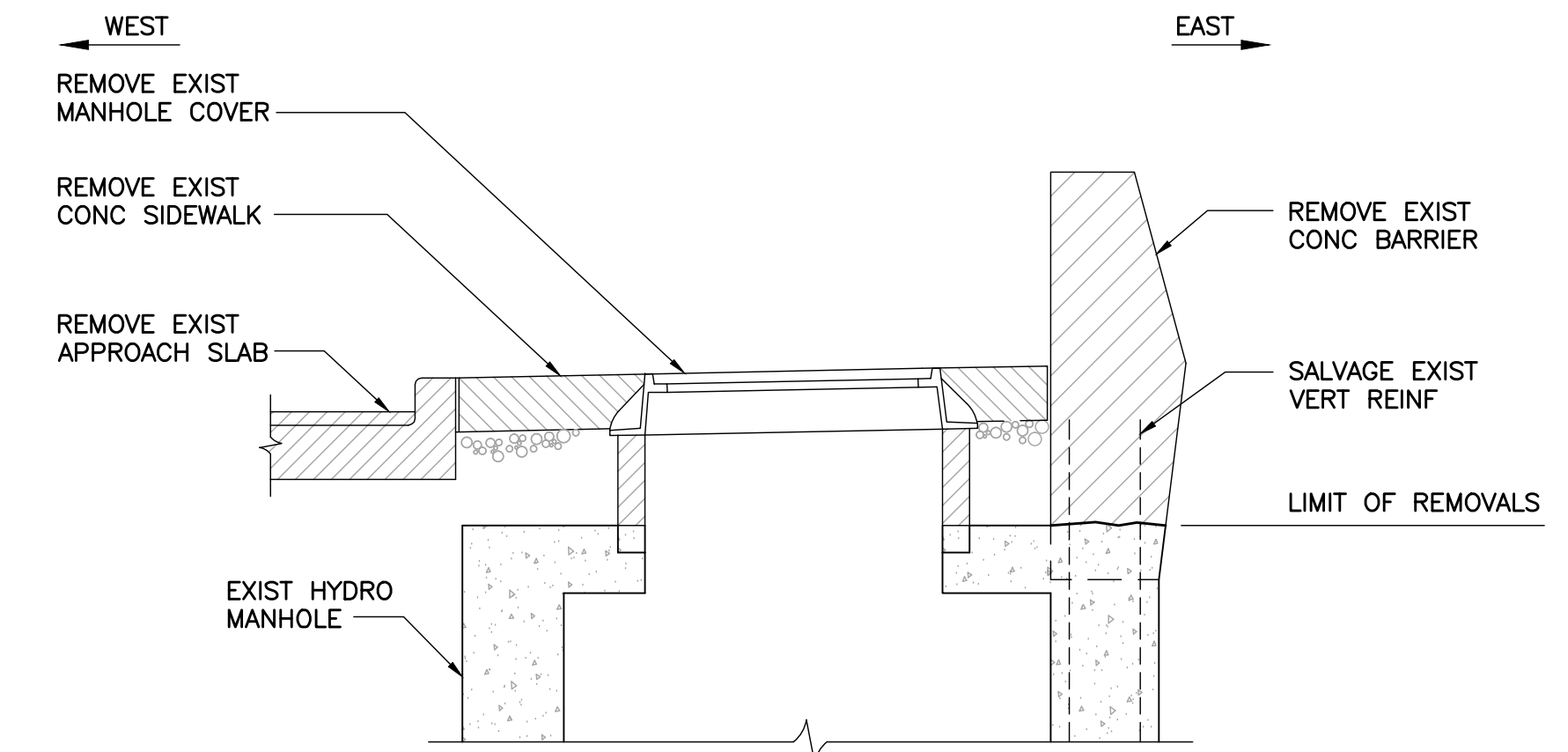


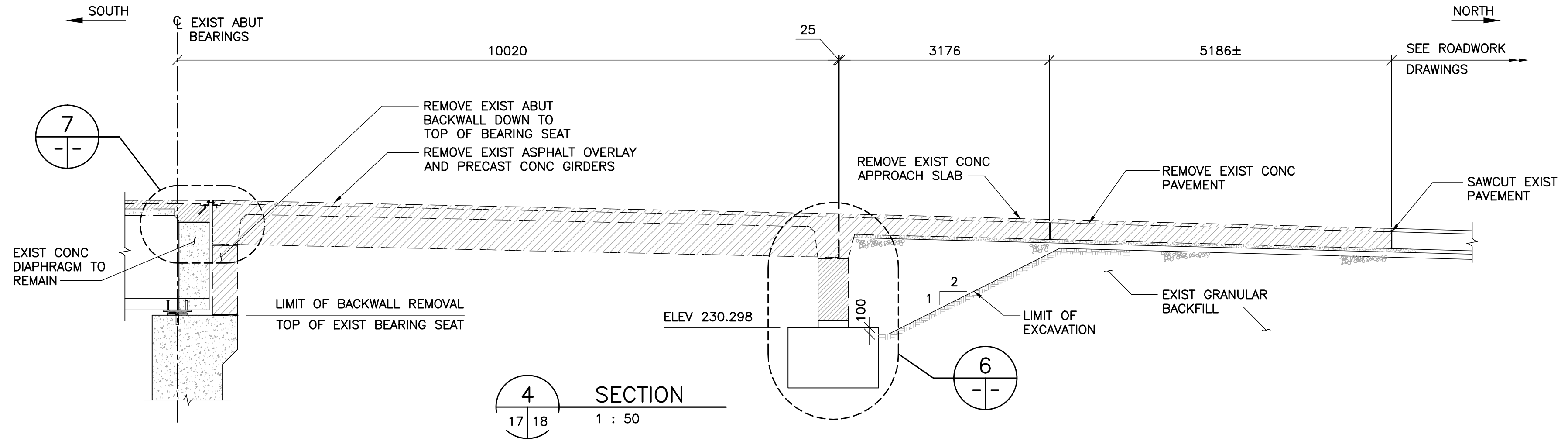
1
17 18
1 : 75
NORTHEAST WINGWALL - ELEVATION



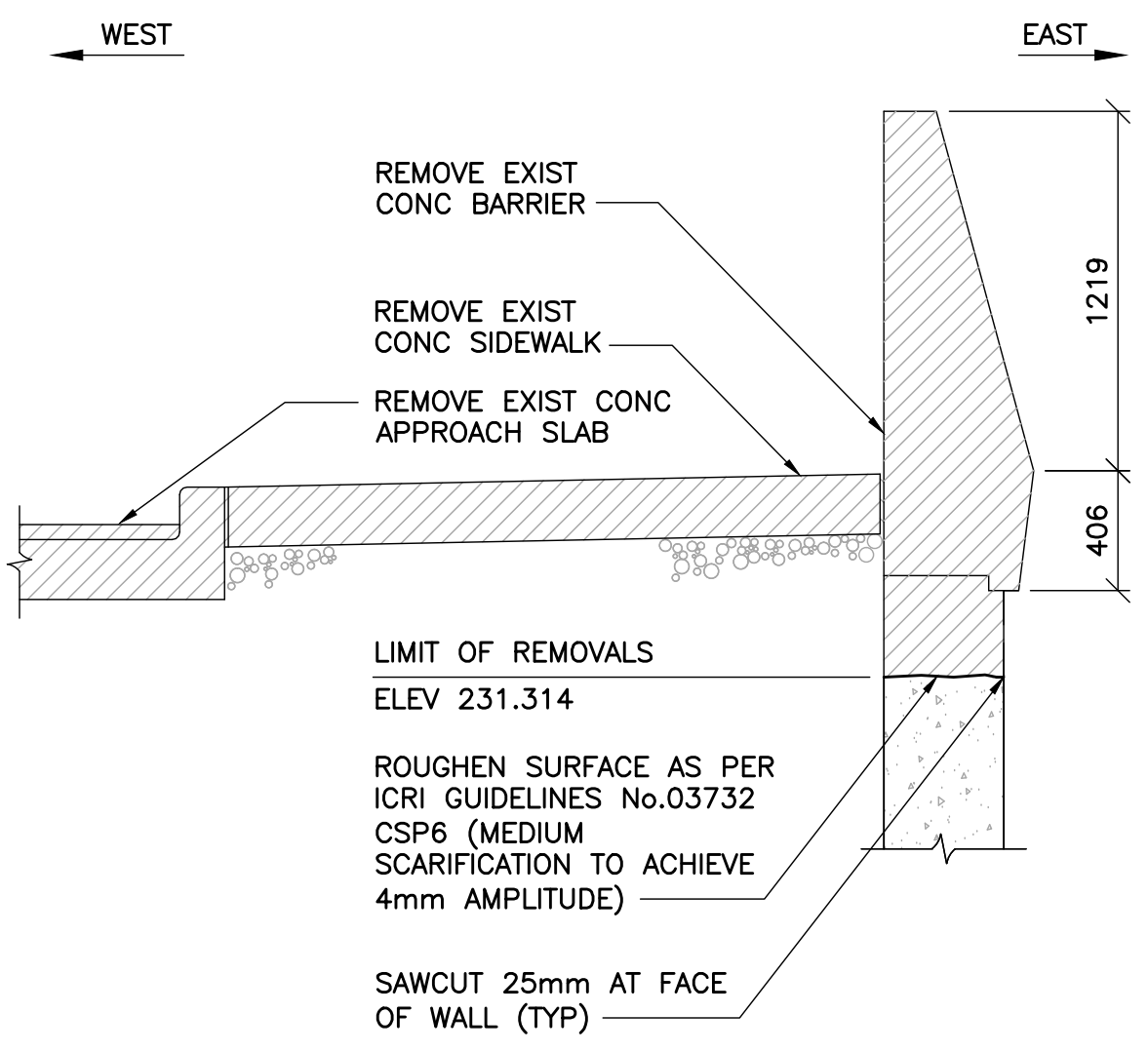
2
17 18
1 : 50
SECTION AT RETAINING WALL



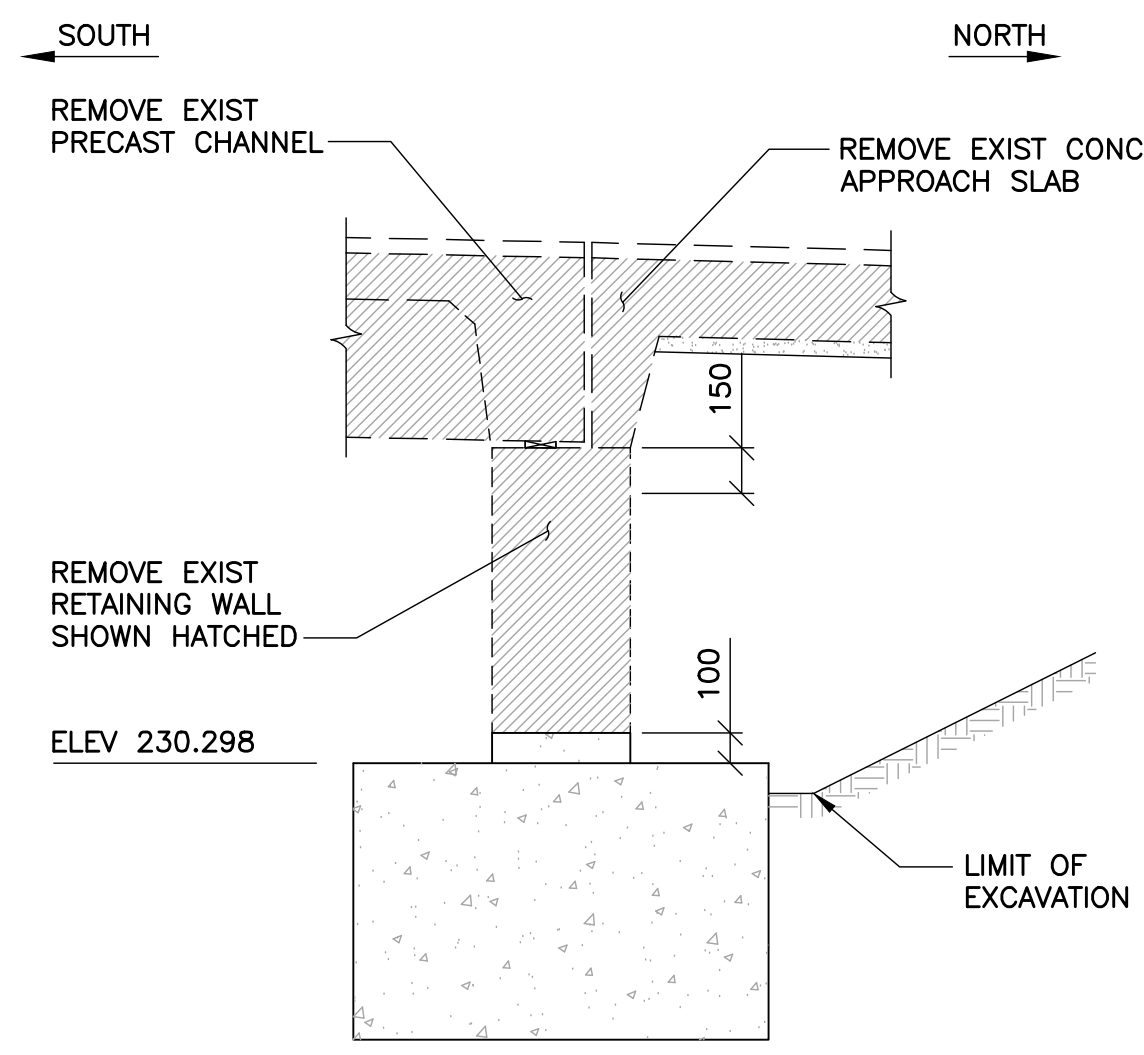
3
17 18
1 : 25
SECTION @ MB HYDRO MANHOLE



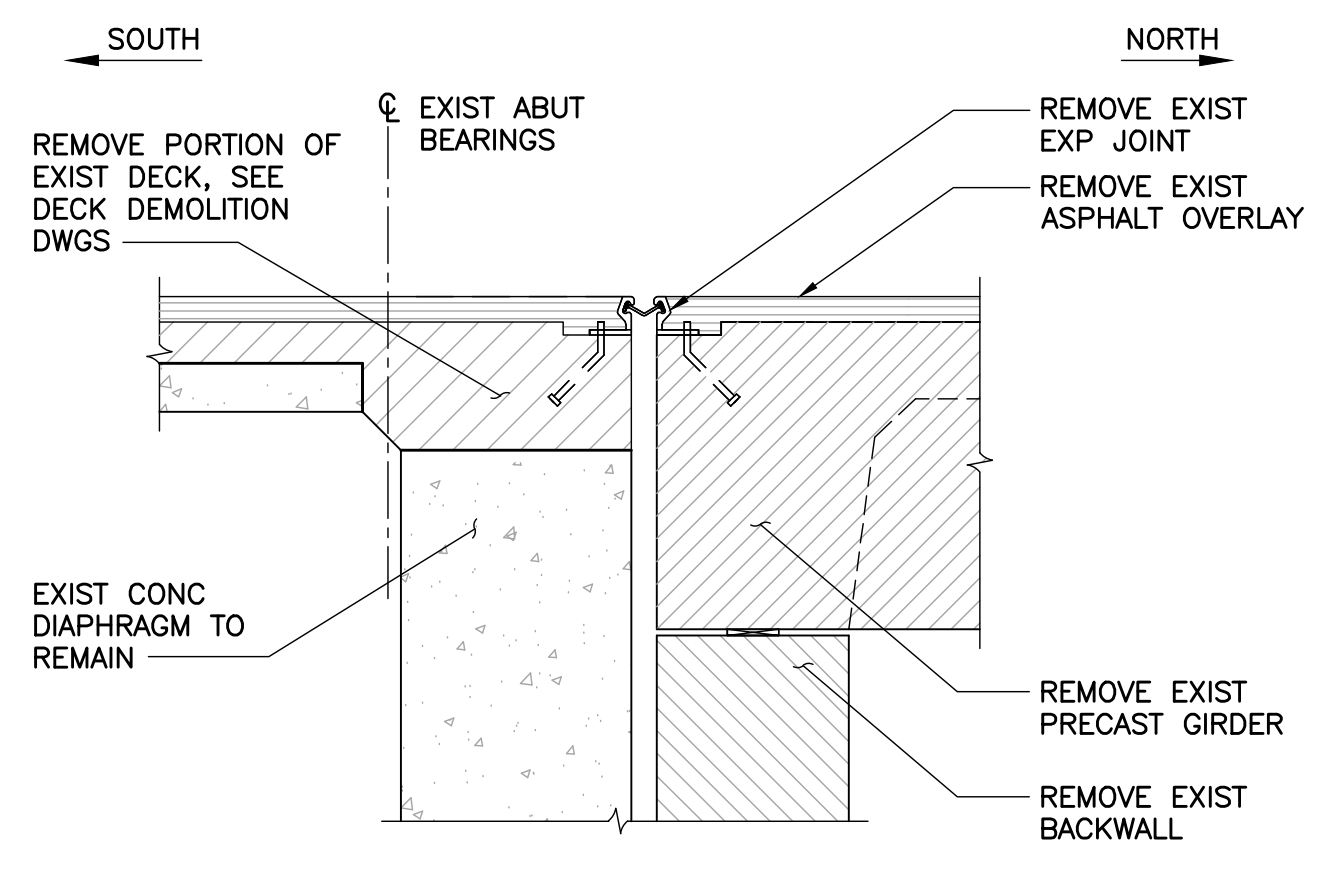
4
17 18
1 : 50
SECTION



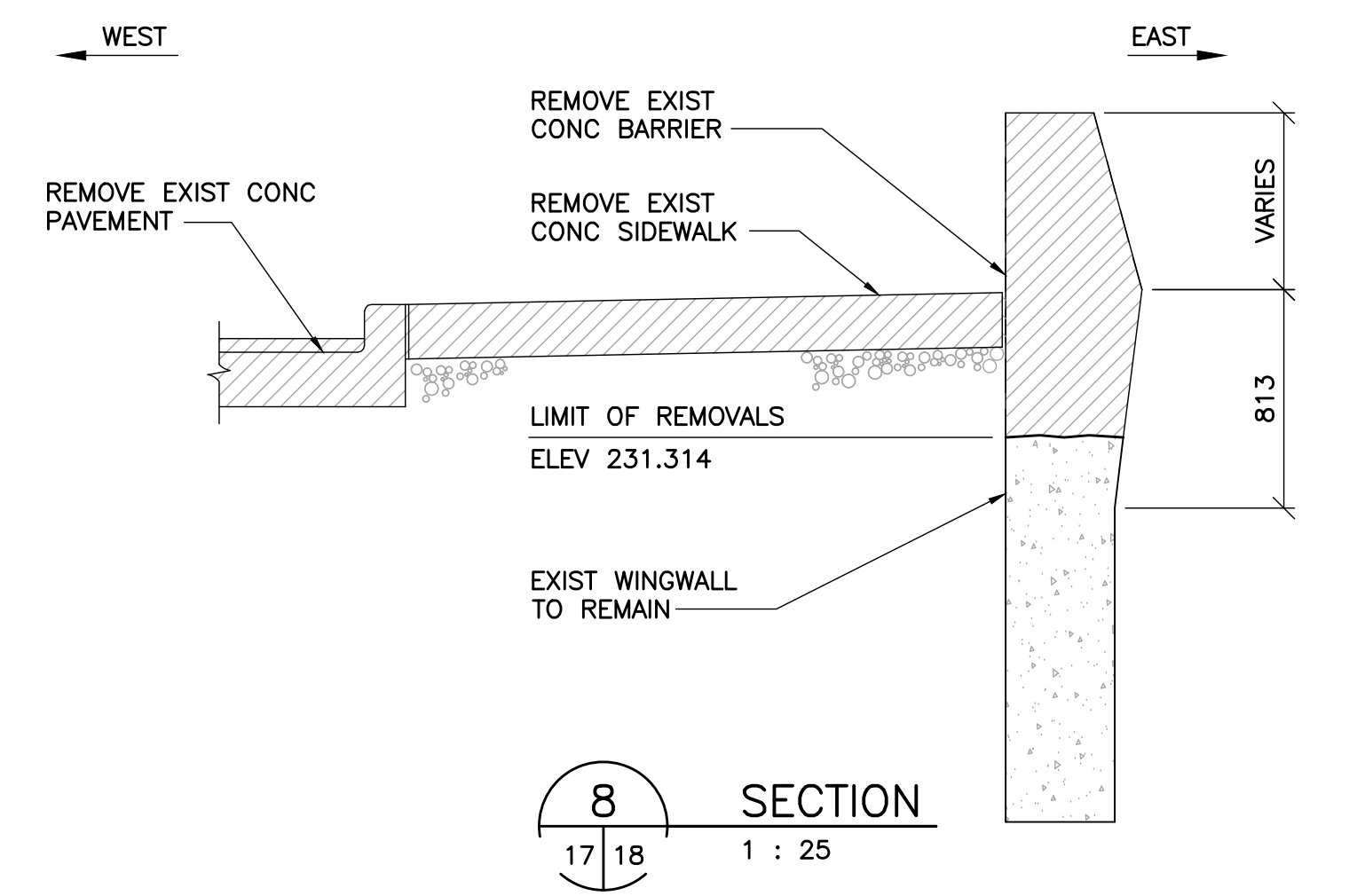
5
17 18
1 : 25
SECTION



6
1 : 25
DETAIL



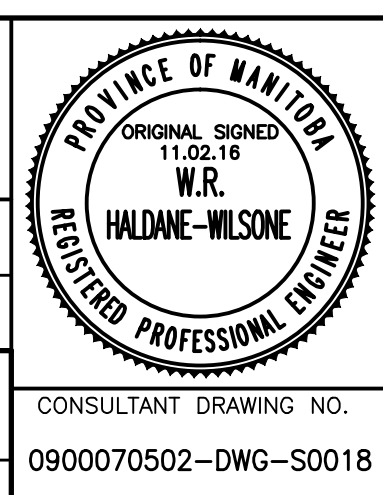
7
1 : 15
DETAIL



8
17 18
1 : 25
SECTION



B.M. ELEV.	F.B.	WARDROP A TETRA TECH COMPANY	
		DESIGNED BY S.Y.	CHECKED BY R.H.W.
		DRAWN BY B.M.	APPROVED BY R.H.W.
		HOR. SCALE: AS NOTED	RELEASED FOR CONSTRUCTION DATE 11.02.16
		VERTICAL: AS NOTED	ORIGINAL SIGNED DATE 11.02.16
00	ISSUED FOR TENDER	11.02.18	RHW
NO.	REVISIONS	DATE	BY
		10.10.20	



THE CITY OF WINNIPEG
PUBLIC WORKS DEPARTMENT
ENGINEERING DIVISION

OSBORNE STREET BRIDGE
REHABILITATION & RELATED WORKS

NORTH ABUTMENT AND APPROACH SLAB
PHASE 1 REMOVAL

CITY DRAWING NUMBER
B109-11-023
SHEET 18 OF 131

CONSULTANT DRAWING NO.
0900070502-DWG-S0018

18