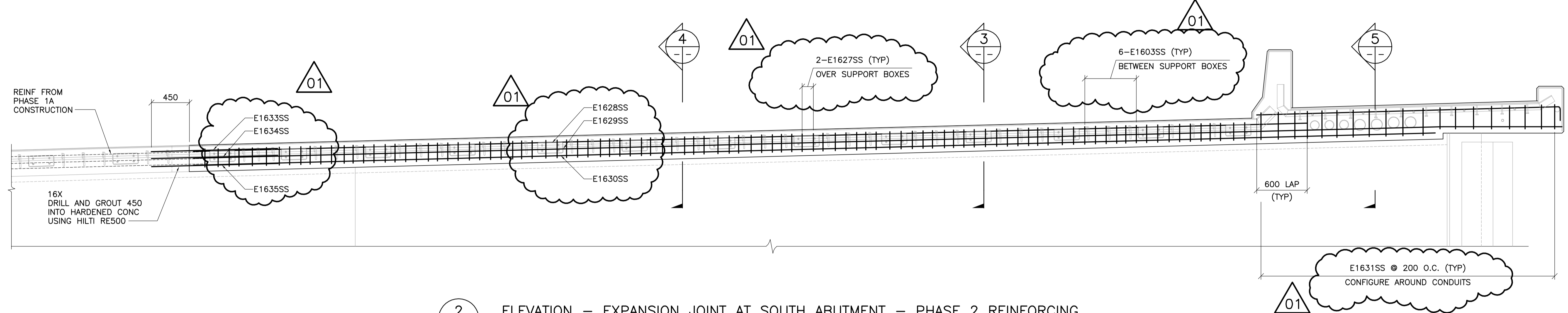
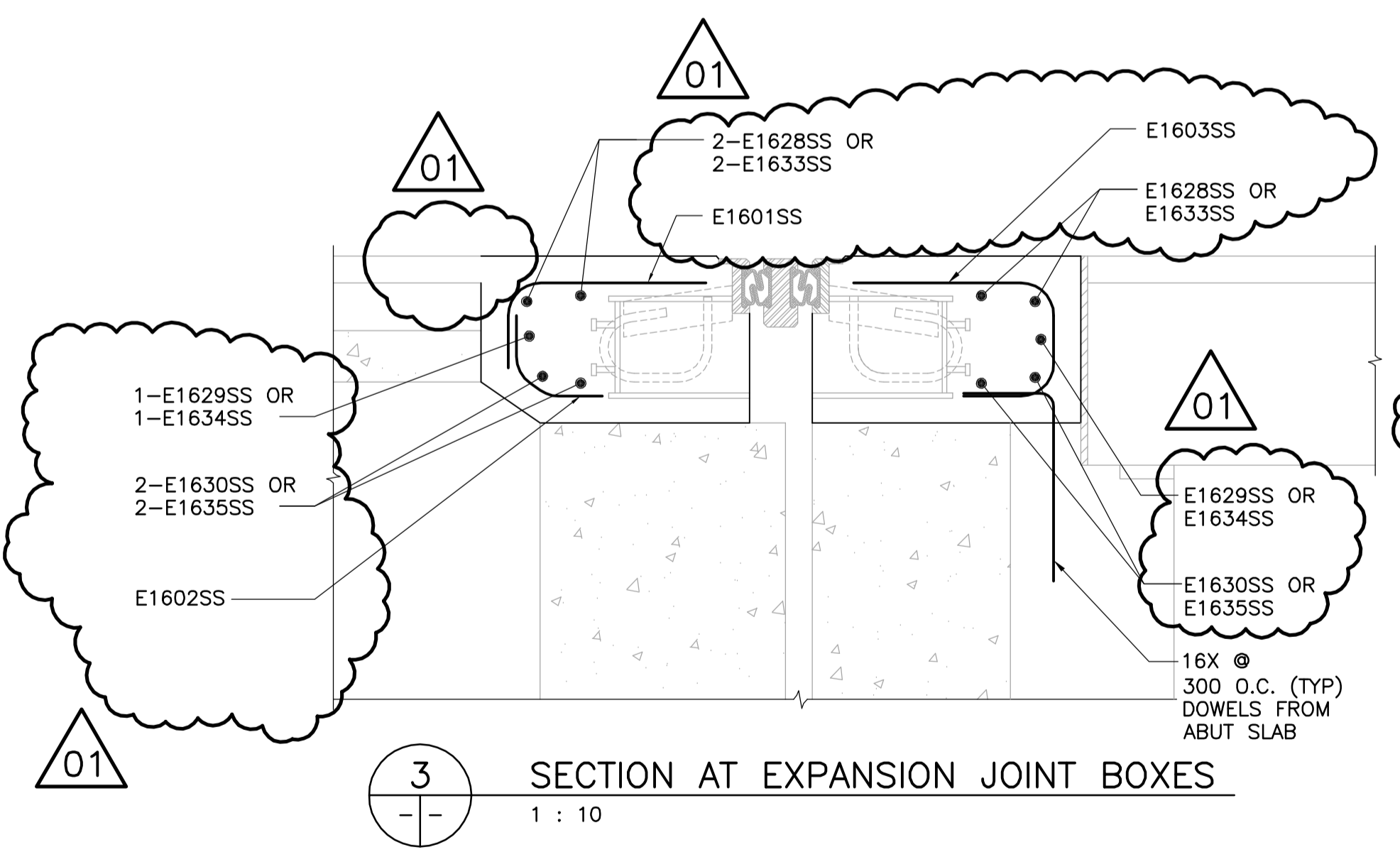


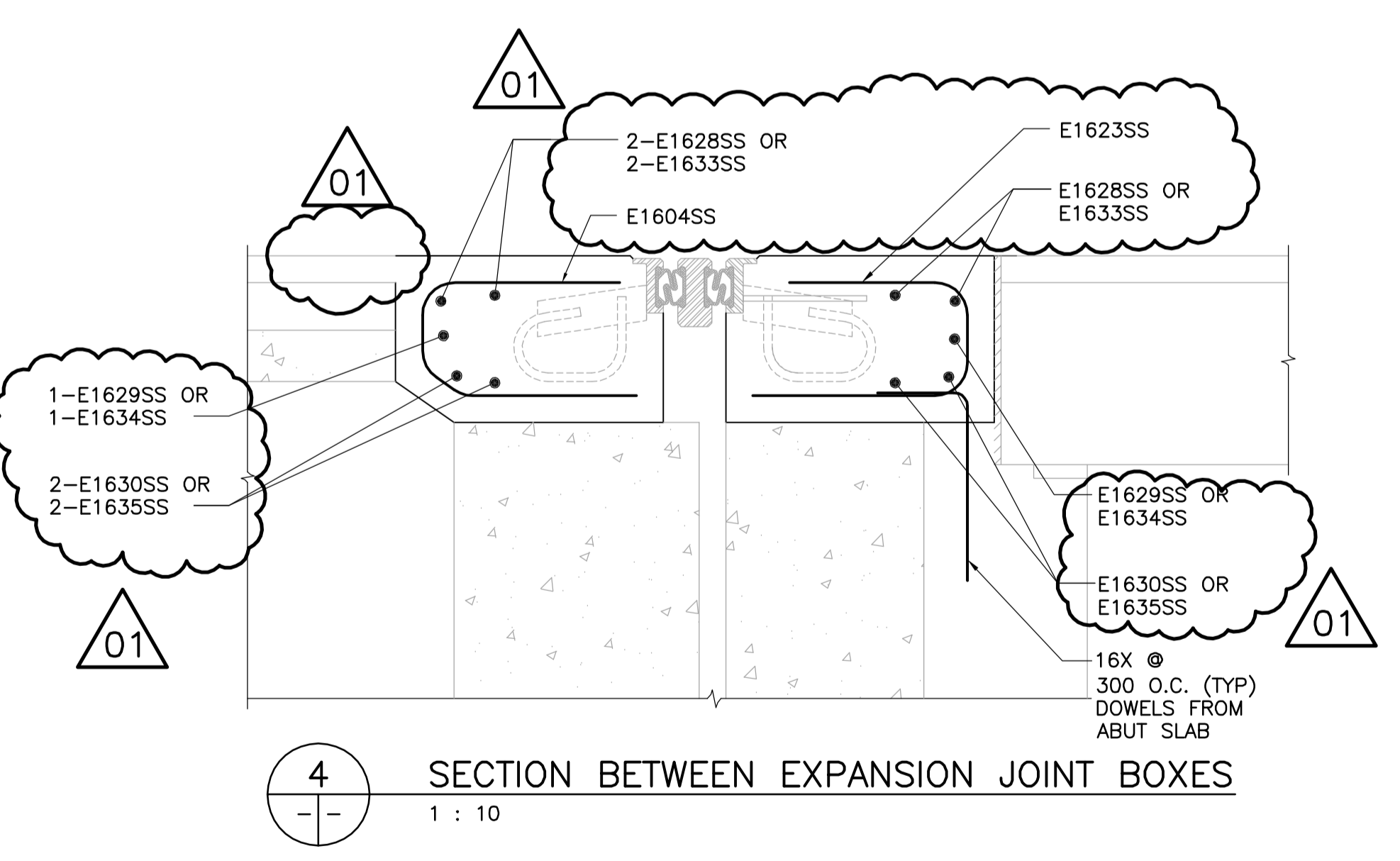
1 PLAN - EXPANSION JOINT AT SOUTH ABUTMENT - PHASE 2 REINFORCING
1 : 25



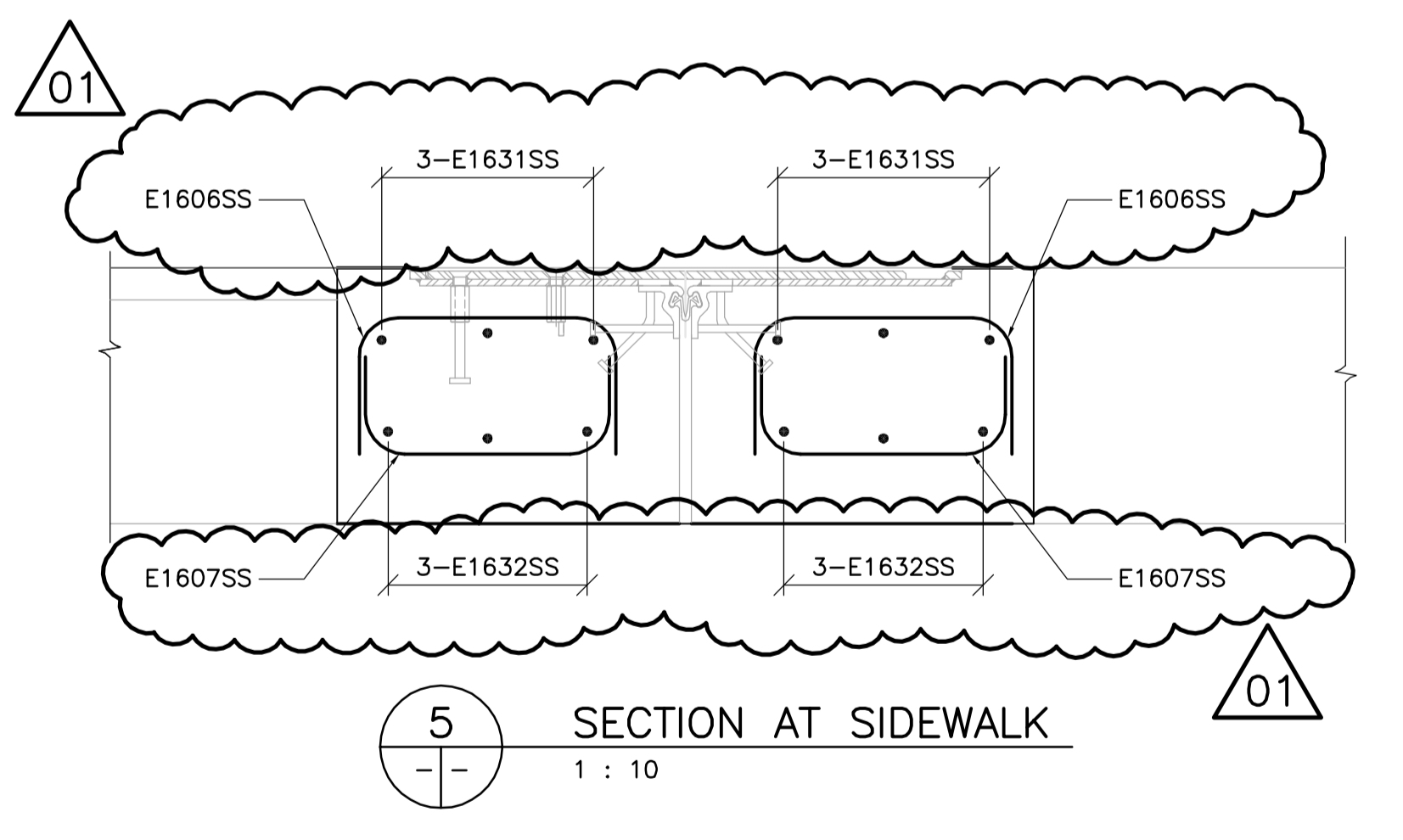
2 ELEVATION - EXPANSION JOINT AT SOUTH ABUTMENT - PHASE 2 REINFORCING
1 : 25



3 SECTION AT EXPANSION JOINT BOXES
1 : 10



4 SECTION BETWEEN EXPANSION JOINT BOXES
1 : 10



5 SECTION AT SIDEWALK
1 : 10



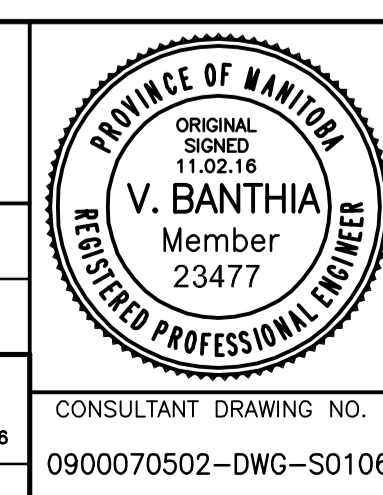
B.M. ELEV.	F.B.	DATE	BY
01	ISSUED FOR ADDENDUM 1	11.03.07	VB
00	ISSUED FOR TENDER	11.02.18	VB
NO.	REVISIONS	DATE	BY

WARDROP
ATETRA TECH COMPANY

DESIGNED BY: K.Y. CHECKED BY: V.B.
DRAWN BY: E.M.M. APPROVED BY: R.H.W.

HOR. SCALE: AS NOTED RELEASED FOR CONSTRUCTION DATE: 11.02.18
VERTICAL: AS NOTED ORIGINAL SIGNED: 11.02.18

DATE: 10.12.03 MATT OSBLETT, P. ENG. BRIDGE PROJECTS ENGINEER



THE CITY OF WINNIPEG
PUBLIC WORKS DEPARTMENT
ENGINEERING DIVISION

OSBORNE STREET BRIDGE
REHABILITATION & RELATED WORKS

SOUTH EXPANSION JOINT
PHASE 2 REINFORCING

CITY DRAWING NUMBER: B109-11-111
SHEET 106 OF 131

CONSULTANT DRAWING NO.: 0900070502-DWG-S0106