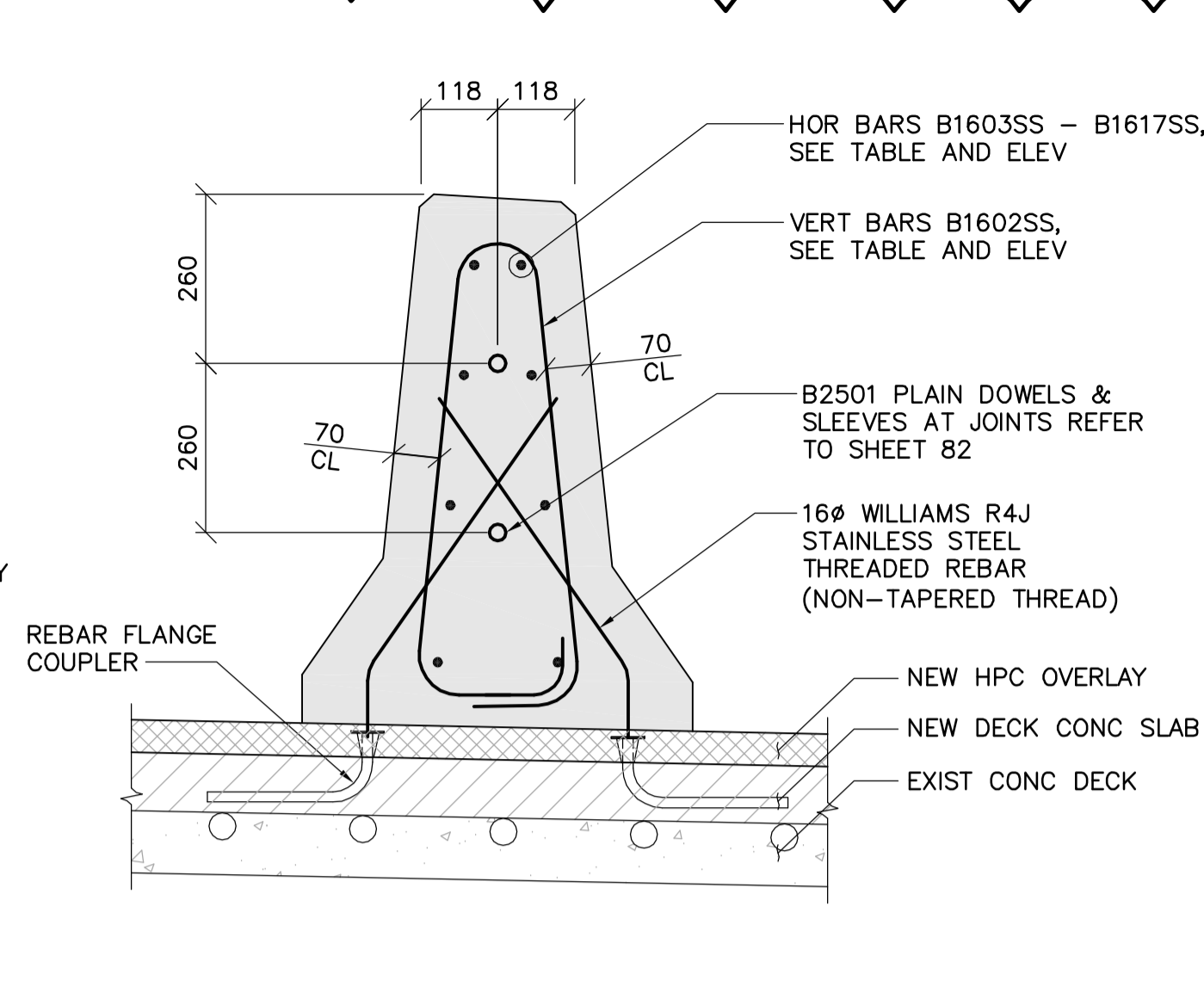
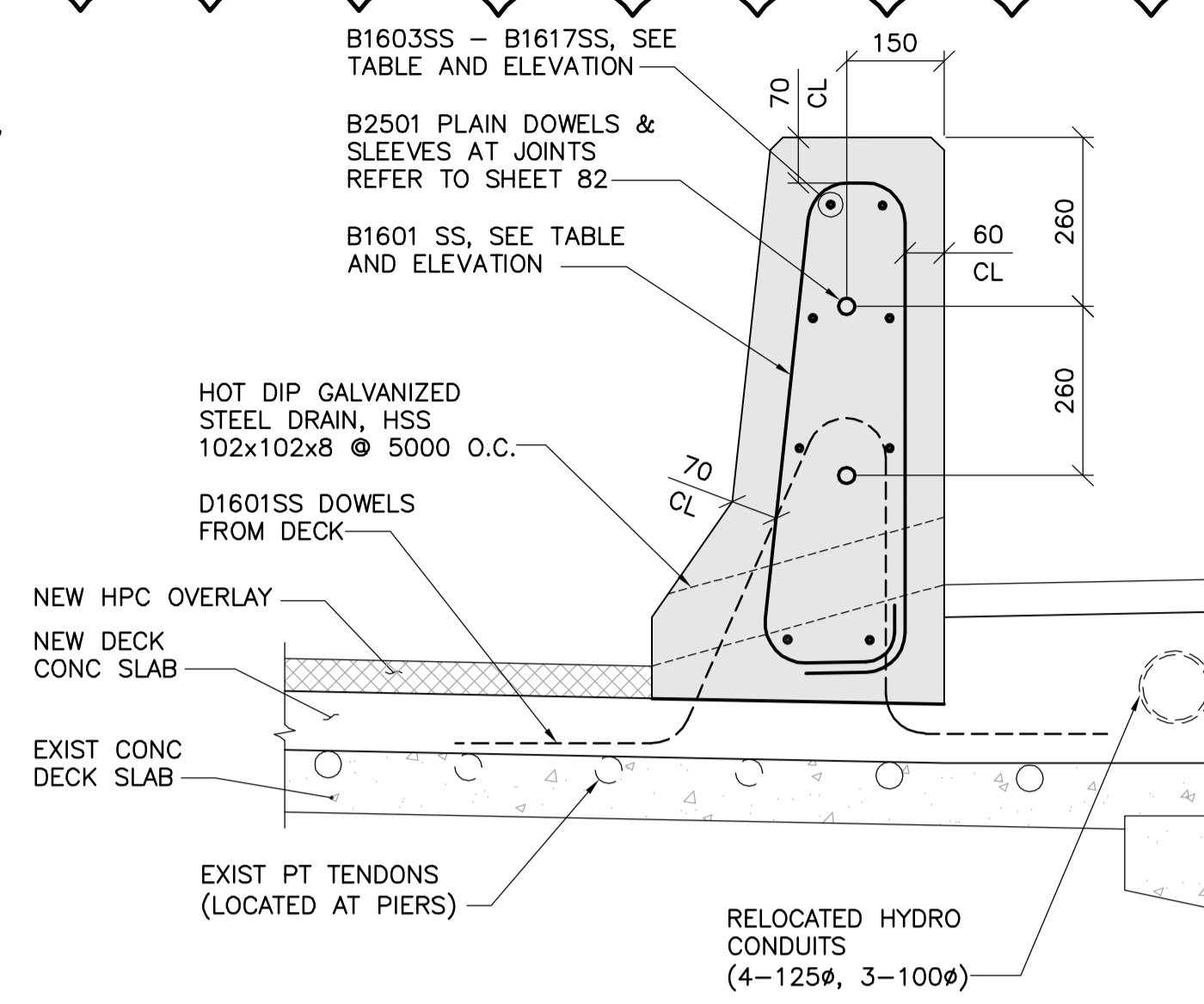


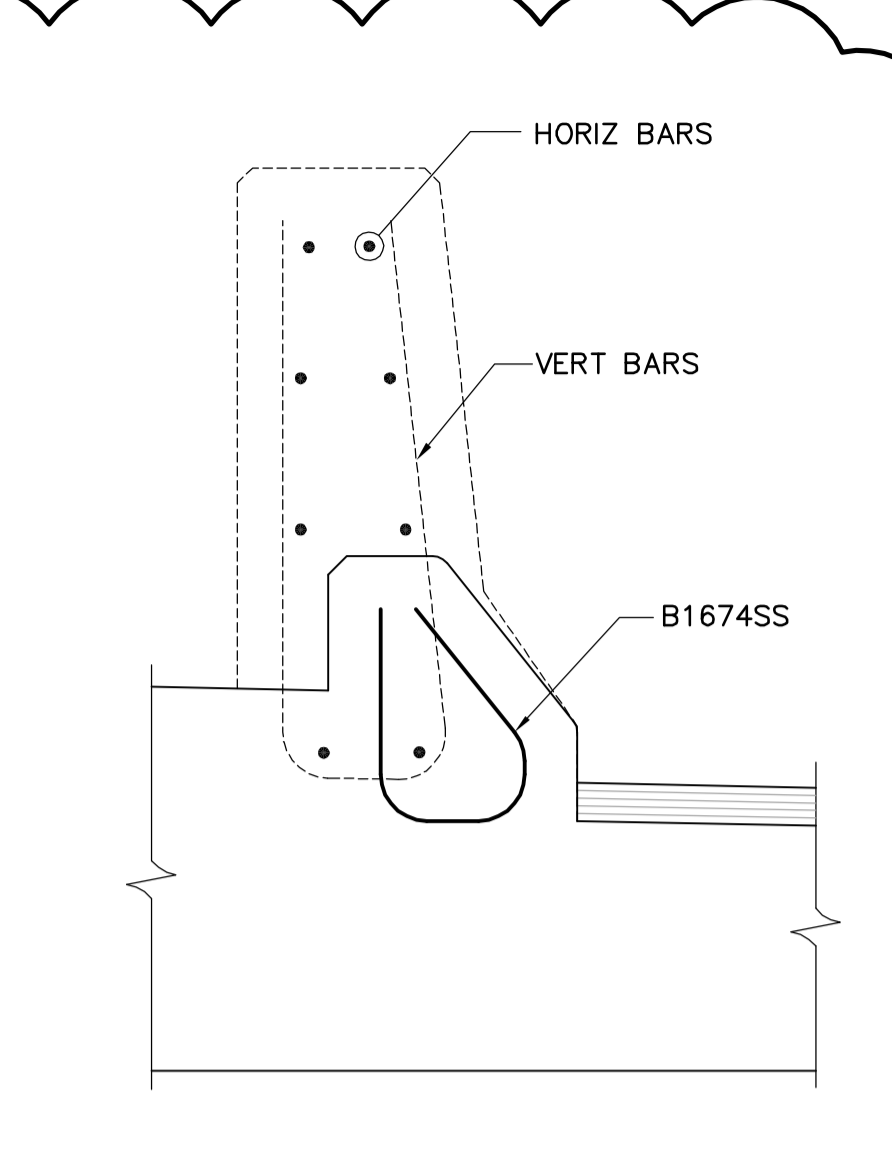
1 WEST CONC SHOULDER BARRIER
1 : 10



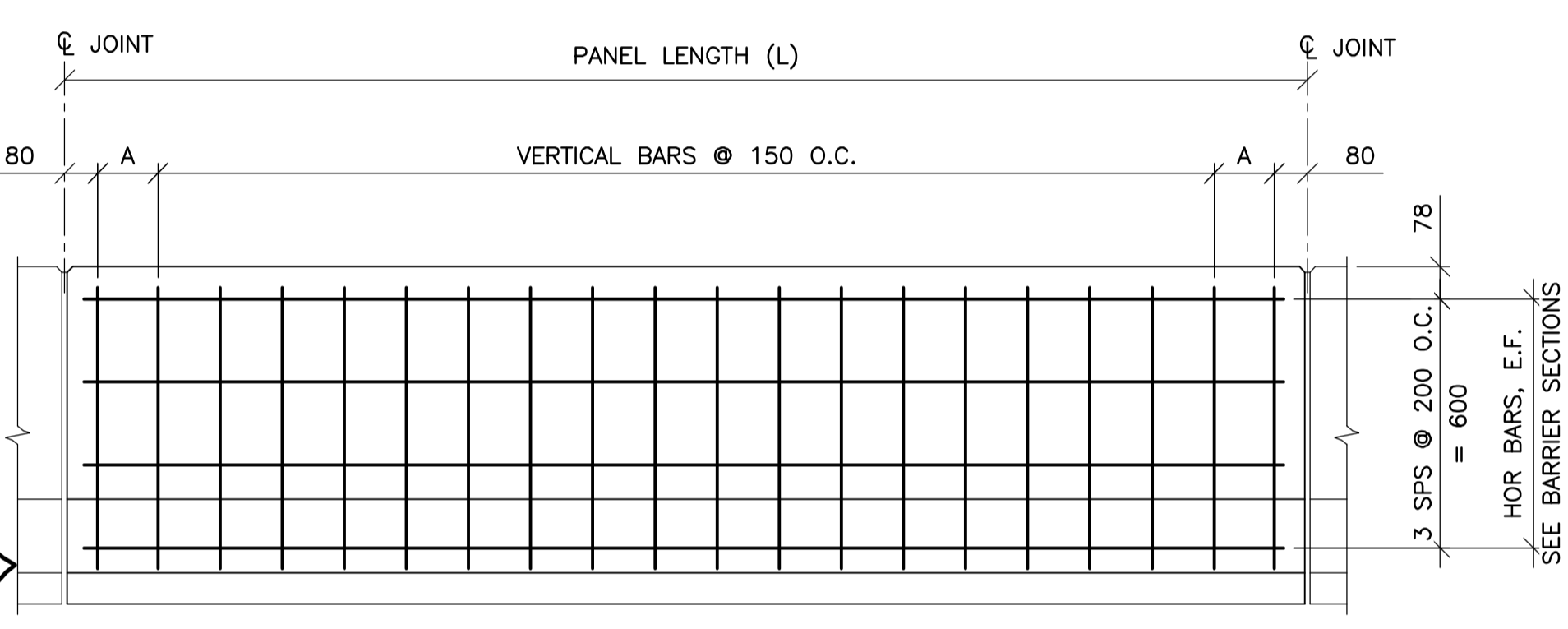
2 MEDIAN CONC BARRIER
1 : 10



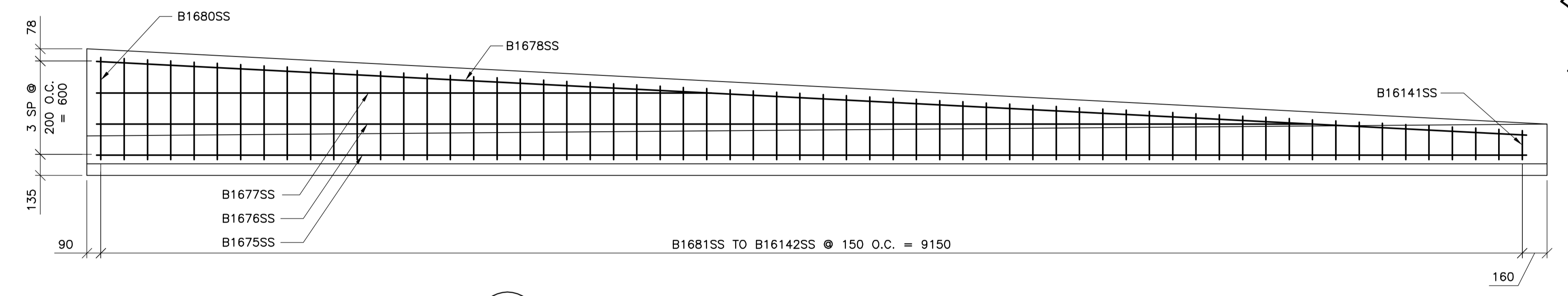
3 EAST CONC SHOULDER BARRIER
1 : 10



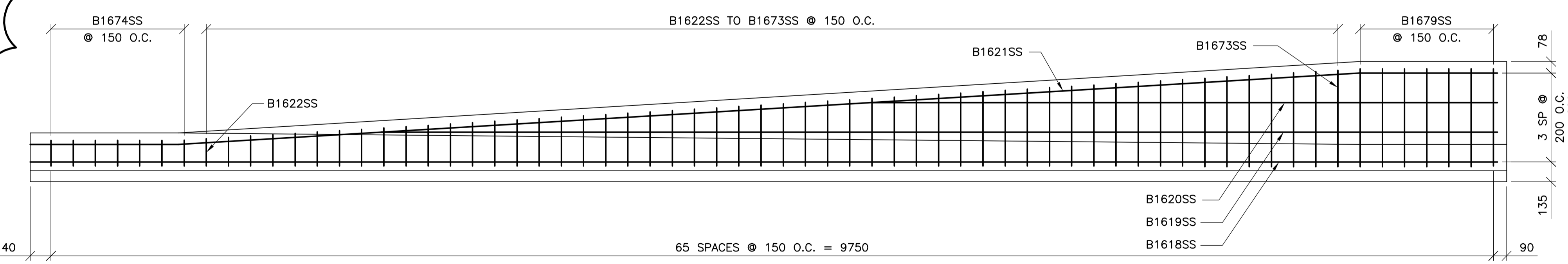
4 SAFETY CURB DETAIL
1 : 10



5 ELEVATION - BRIDGE BARRIER REINFORCING
1 : 15



6 TRANSITION BARRIER AT SOUTHWEST SIDE
1 : 30



7 TRANSITION BARRIER AT NORTHEAST SIDE
1 : 20

PANEL LENGTH (L)	EAST BARRIER		WEST BARRIER		MEDIAN BARRIER		No. OF HORIZ REQ'D PER PANEL	DISTANCE A
	No. OF PANEL REQ'D	No. OF VERTS REQ'D	No. OF PANEL REQ'D	No. OF VERTS REQ'D	No. OF PANEL REQ'D	No. OF VERTS REQ'D		
5514	1	37-B1601SS	0		0		8-B1603SS	127
3396	0		0		1	23-B1602SS	8-B1604SS	118
3433	2	23-B1601SS	0		0		8-B1605SS	136.5
3000	40	20-B1601SS	40	20-B1601SS	40	20-B1602SS	8-B1606SS	145
2940	2	20-B1601SS	0		0		8-B1607SS	115
2885	0		0		2	20-B1602SS	8-B1608SS	87.5
2755	0		2	19-B1601SS	0		8-B1609SS	97.5
2513	0		0		1	17-B1602SS	8-B1610SS	126.5
2500	3	17-B1601SS	6	17-B1601SS	9	17-B1602SS	8-B1611SS	120
2132	0		1	15-B1601SS	0		8-B1612SS	86
2106	1	14-B1601SS	0		0		8-B1613SS	148
1973	0		0		1	13-B1602SS	8-B1614SS	156.5
1900	0		0		1	13-B1602SS	8-B1615SS	120
1871	0		1	13-B1601SS	1	13-B1602SS	8-B1616SS	105.5
1600	1	11-B1601SS	0		0		8-B1617SS	120



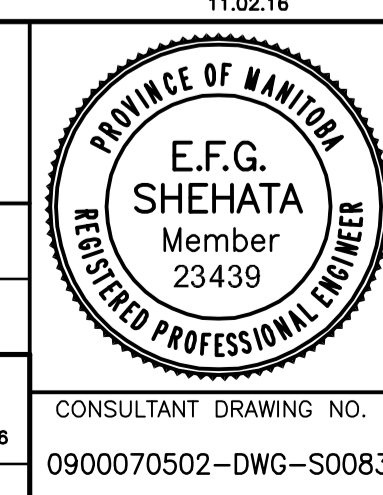
B.M. ELEV.	F.B.		
01 ISSUED FOR ADDENDUM 1	11.03.07	EFS	
00 ISSUED FOR TENDER	11.02.18	EFS	
NO. REVISIONS	DATE	BY	DATE
	10.10.20		

WARDROP
ATETRA TECH COMPANY

DESIGNED BY: S.Y. CHECKED BY: E.F.S.
 DRAWN BY: E.M.M. APPROVED BY: R.H.W.

HOR. SCALE: AS NOTED DATE: 11.02.18
 VERTICAL: AS NOTED ORIGINAL SIGNED: 11.02.18

MAIT CHELSEY, P. ENG. BRIDGE PROJECTS ENGINEER



THE CITY OF WINNIPEG
PUBLIC WORKS DEPARTMENT
ENGINEERING DIVISION

OSBORNE STREET BRIDGE
REHABILITATION & RELATED WORKS

CONCRETE BARRIER -
REINFORCING DETAILS

CITY DRAWING NUMBER
B109-11-088
SHEET OF 83 131

CONSULTANT DRAWING NO.
0900070502-DWG-S0083

83