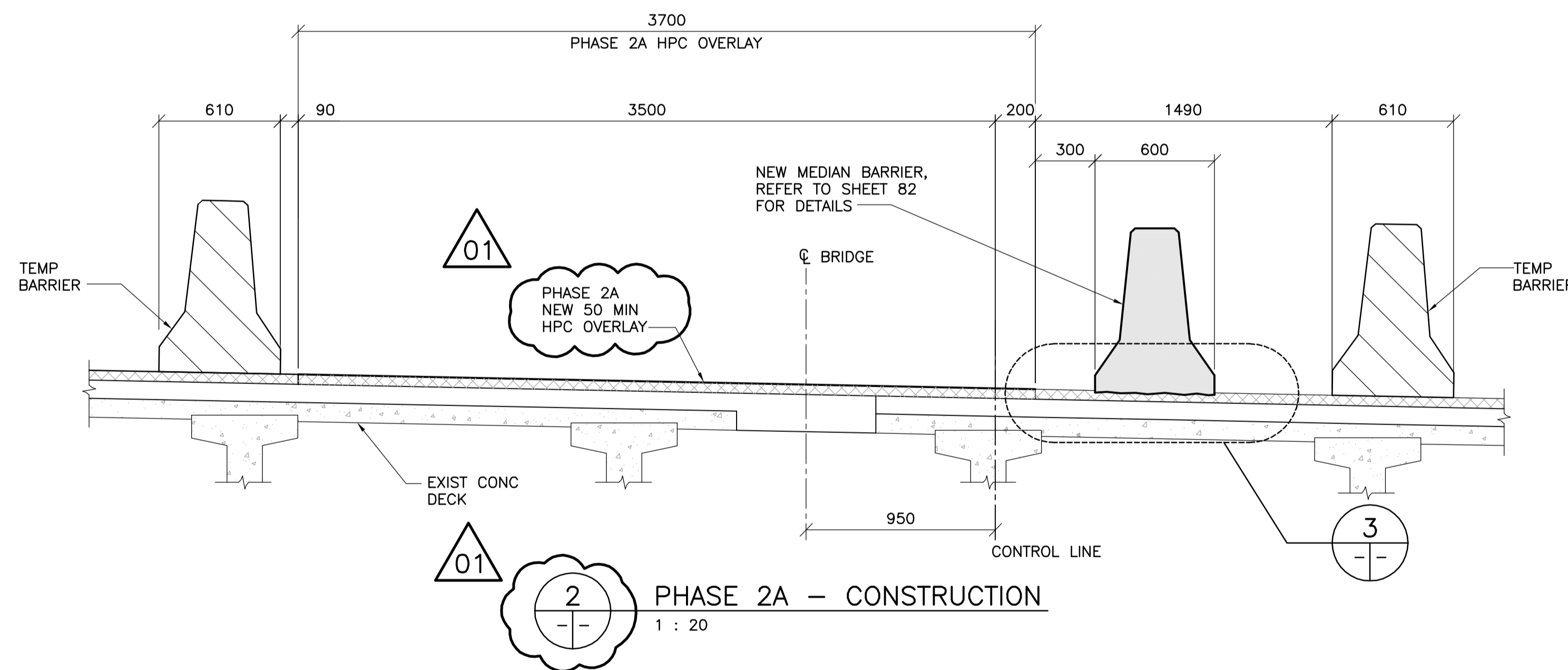
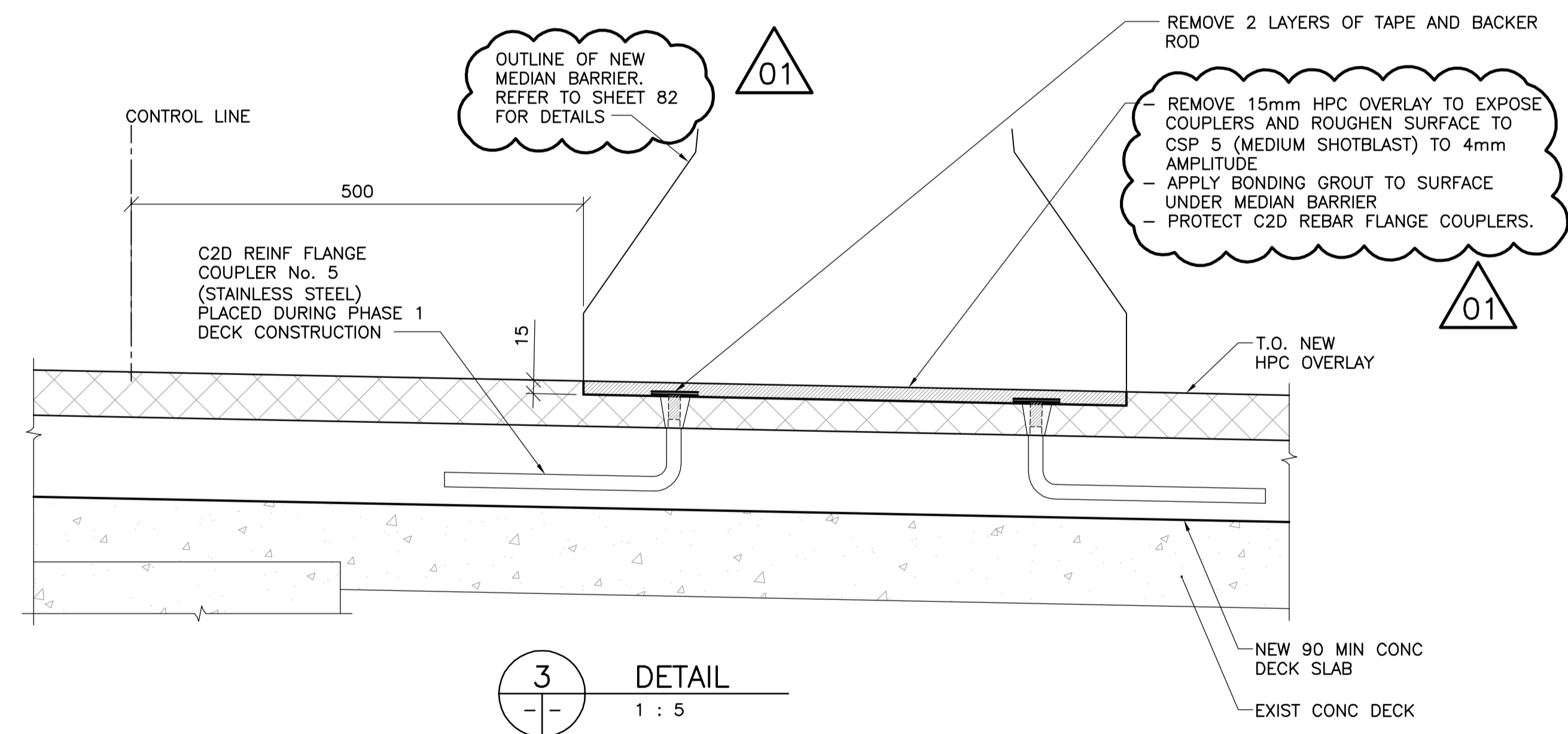


1
74 77
TYPICAL SECTION - PHASE 2A DECK CONSTRUCTION
1 : 50



2
-
-
PHASE 2A - CONSTRUCTION
1 : 20

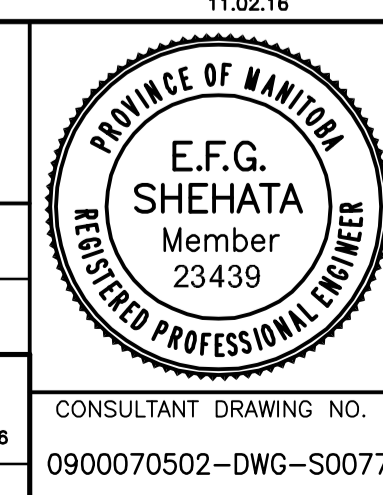


3
-
-
DETAIL
1 : 5



B.M. ELEV.	F.B.	NO.	REVISIONS	DATE	BY

WARDROP ATETRA TECH COMPANY	
DESIGNED BY: V.B.	CHECKED BY: E.F.S.
DRAWN BY: B.M.	APPROVED BY: R.H.W.
HOR. SCALE: AS NOTED	RELEASED FOR CONSTRUCTION DATE: 11.02.16
VERTICAL: AS NOTED	ORIGINAL SIGNED DATE: 11.02.16
DATE: 10.10.13	DATE: 10.10.13



THE CITY OF WINNIPEG PUBLIC WORKS DEPARTMENT ENGINEERING DIVISION	
OSBORNE STREET BRIDGE REHABILITATION & RELATED WORKS	CITY DRAWING NUMBER B109-11-082 SHEET 77 OF 131
BRIDGE DECK - PHASE 2A CONSTRUCTION	77