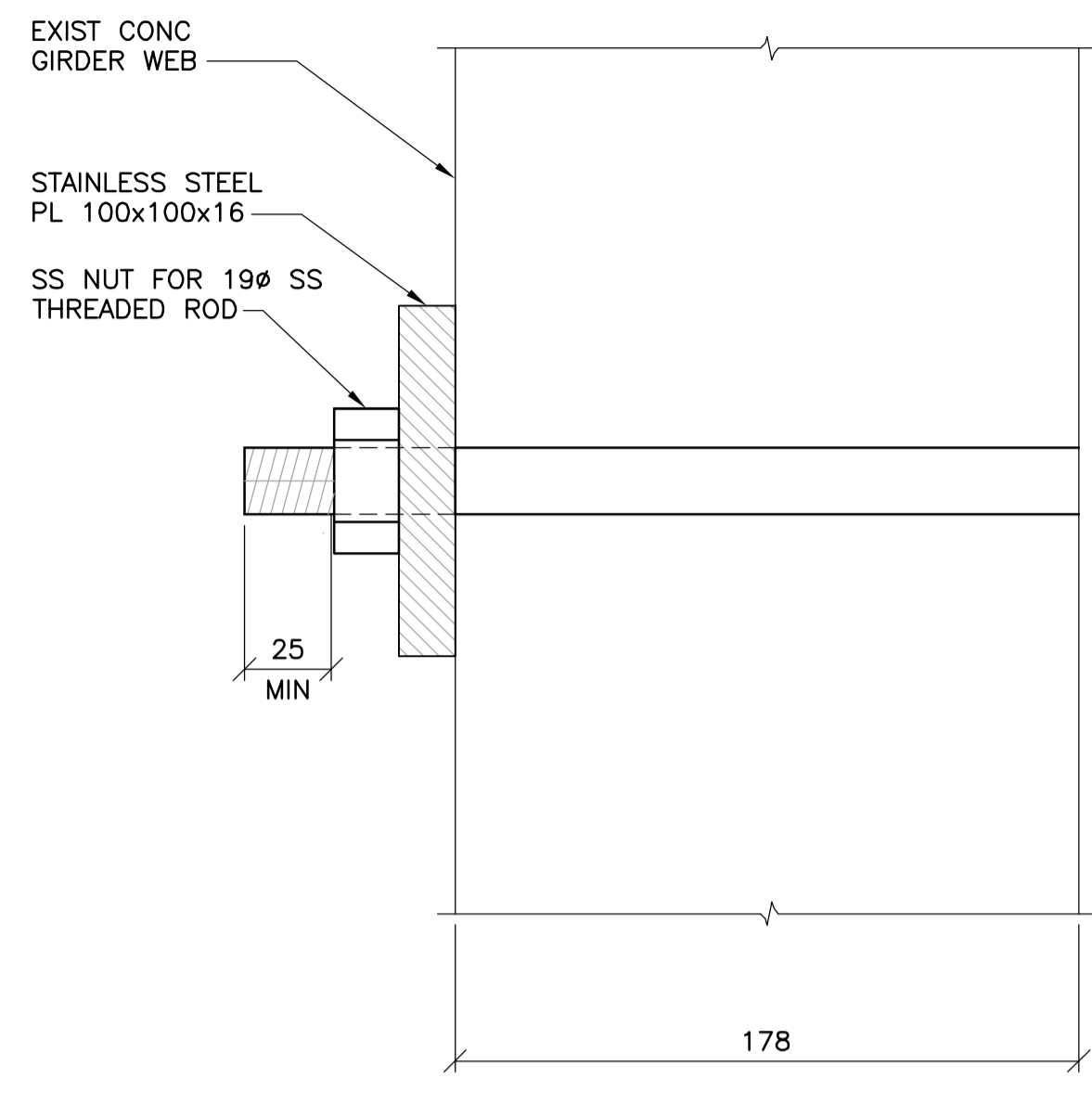


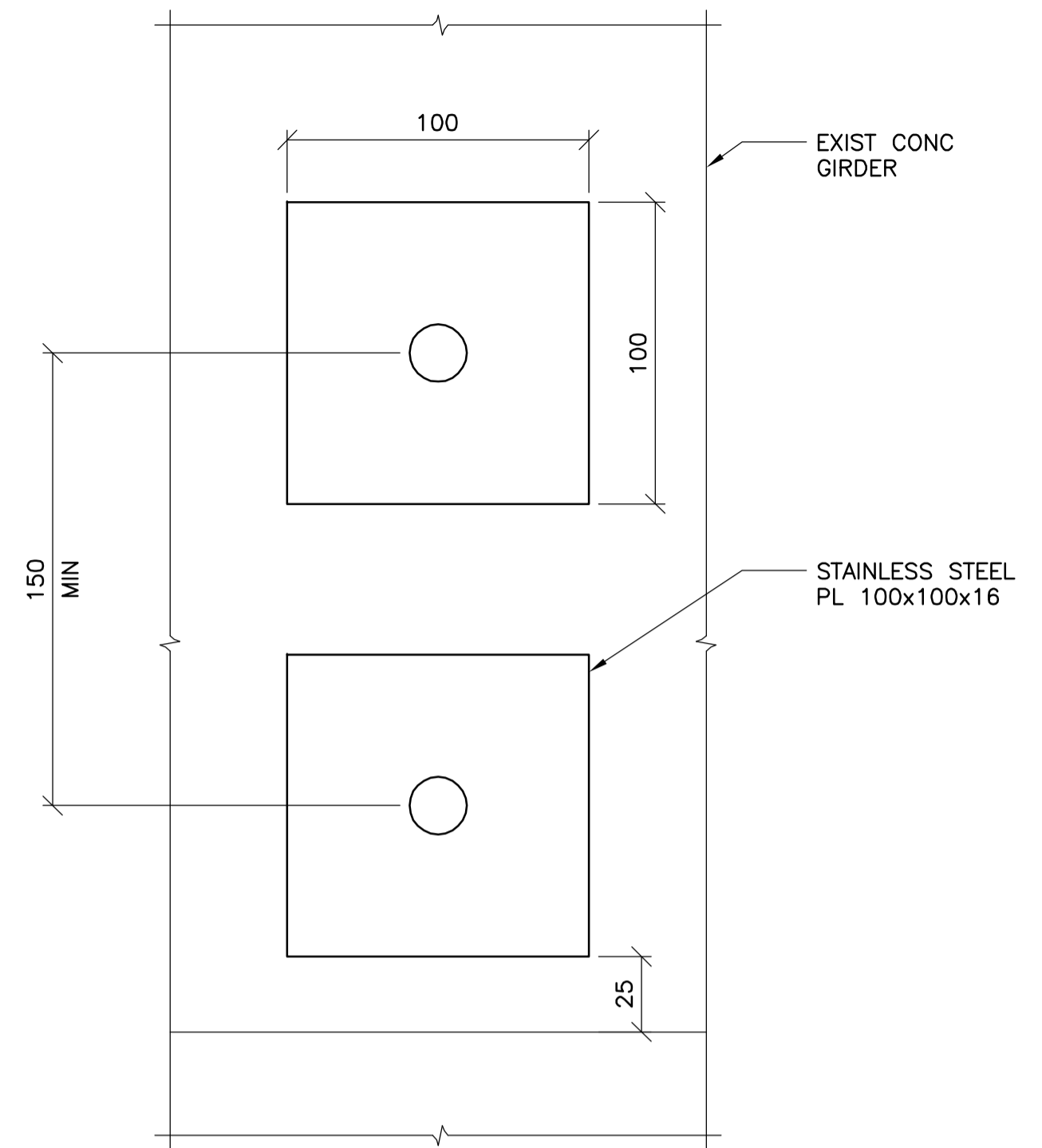
**1**  
---  
INTERMEDIATE DIAPHRAGM CONC  
INFILL - PLAN REINFORCING

1 : 10  
- SHOWING INTERMEDIATE DIAPHRAGM  
CONCRETE INFILL REINFORCING  
(12 LOCATIONS)



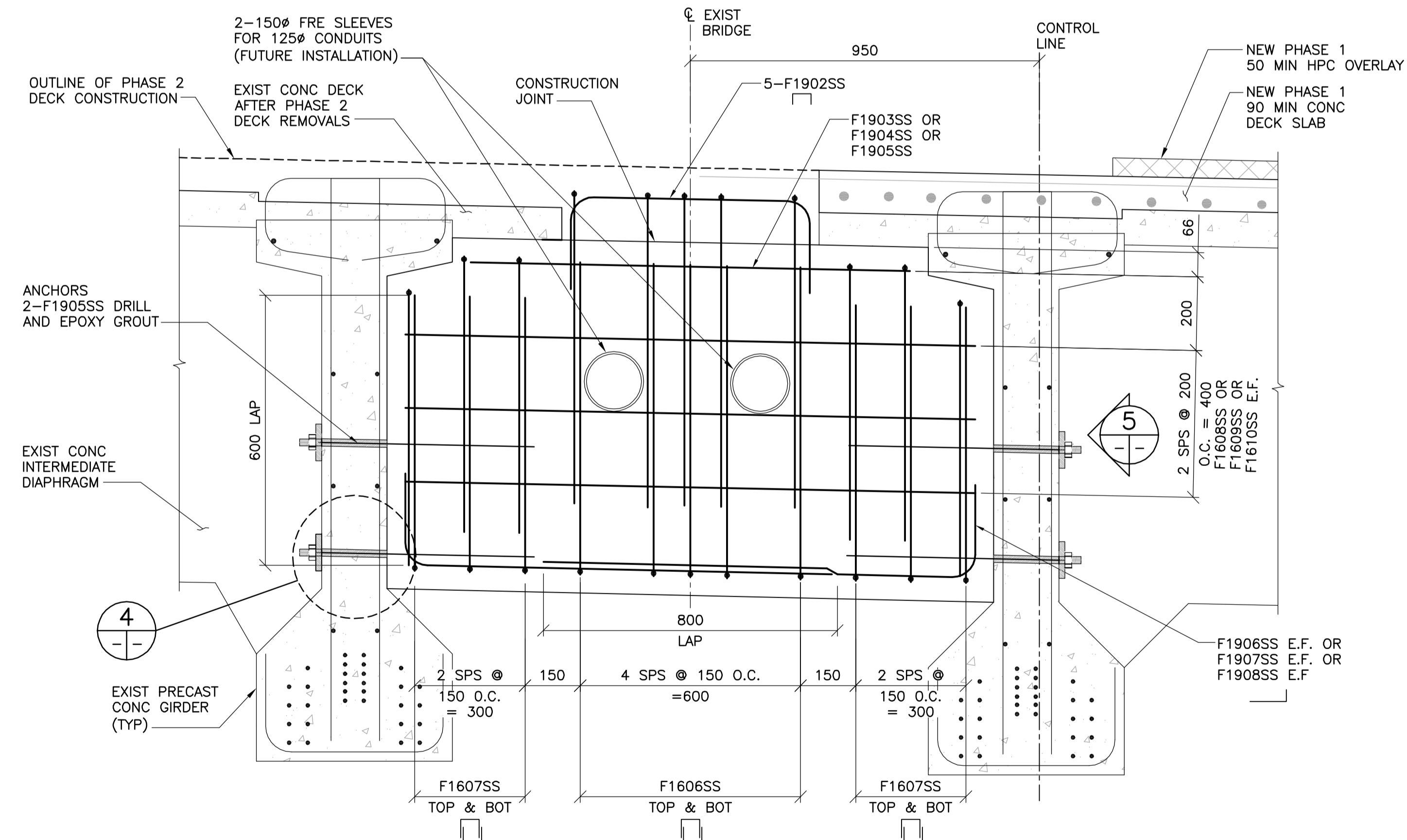
**4**  
---  
DETAIL

1 : 2



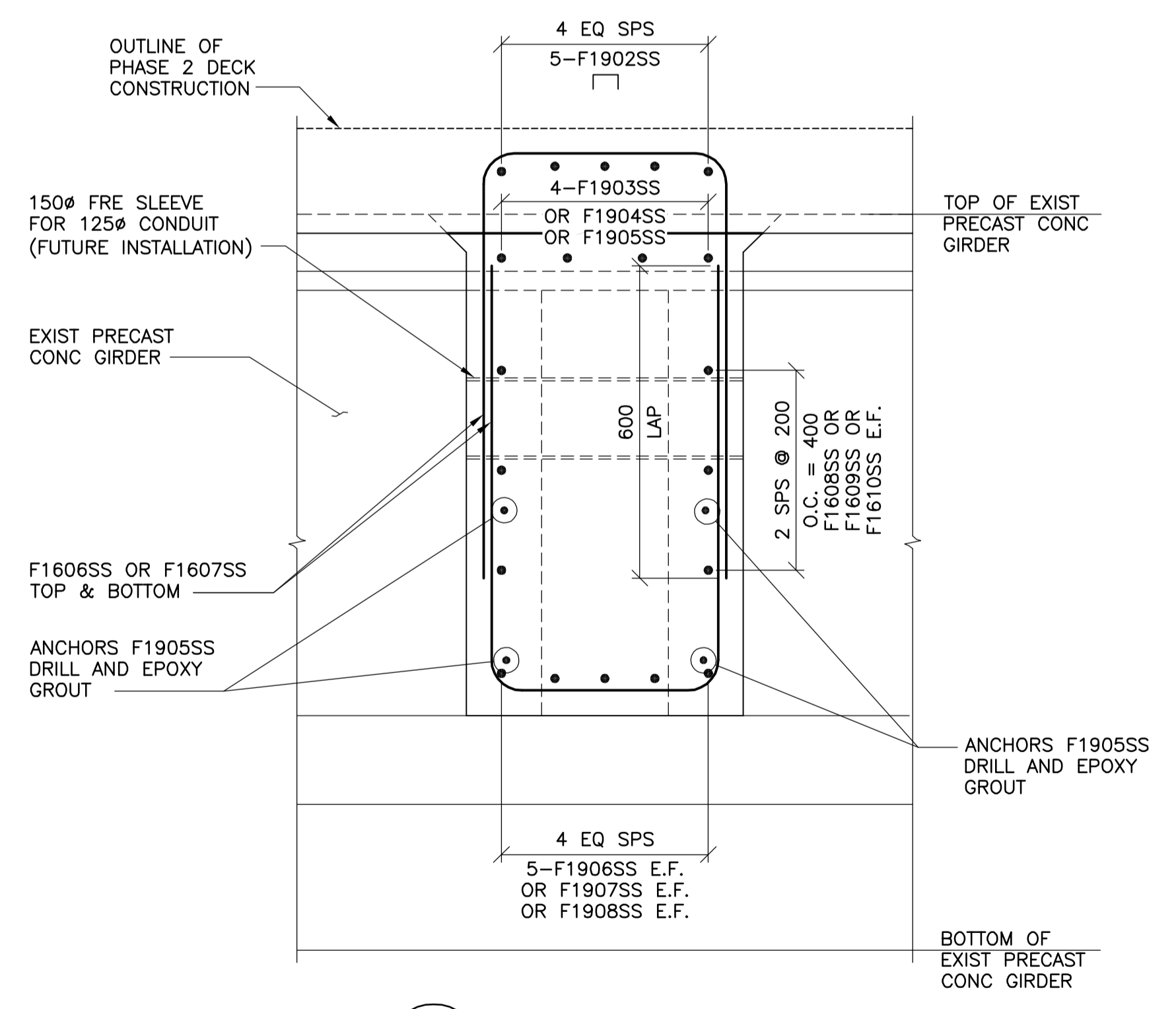
**5**  
---  
SECTION

1 : 2



**2**  
---  
SECTION

1 : 10



**3**  
---  
SECTION

1 : 10

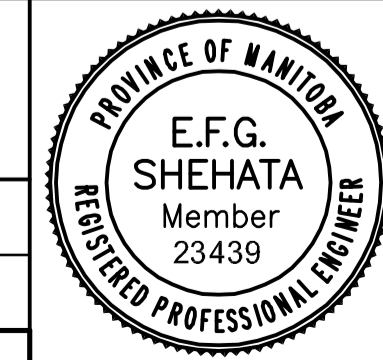
NOTE: USE GROUND PENETRATING RADAR TO DETERMINE THE LOCATION OF DRILLING HOLES FOR ANCHORS INTO PRECAST CONCRETE GIRDER TO AVOID EXIST STRANDS AND REINF.



B.M. ELEV.	F.B.	DATE	BY
00	ISSUED FOR ADDENDUM 1	11.03.07	EFS
	NO. REVISIONS	DATE	BY
		10.10.13	



DESIGNED BY	V.B.	CHECKED BY	E.F.S.
DRAWN BY	B.M.	APPROVED BY	R.H.W.
HOR. SCALE:	AS NOTED	ACCEPTED BY	DATE
VERTICAL:		ORIGINAL SIGNED	11.03.07
		DATE	10.10.13



**THE CITY OF WINNIPEG**  
PUBLIC WORKS DEPARTMENT  
ENGINEERING DIVISION

OSBORNE STREET BRIDGE REHABILITATION & RELATED WORKS	CITY DRAWING NUMBER	B109-11-078
	SHEET OF	73 OF 131
PIER CAP & INTERMEDIATE DIAPHRAGM - REINFORCING		73