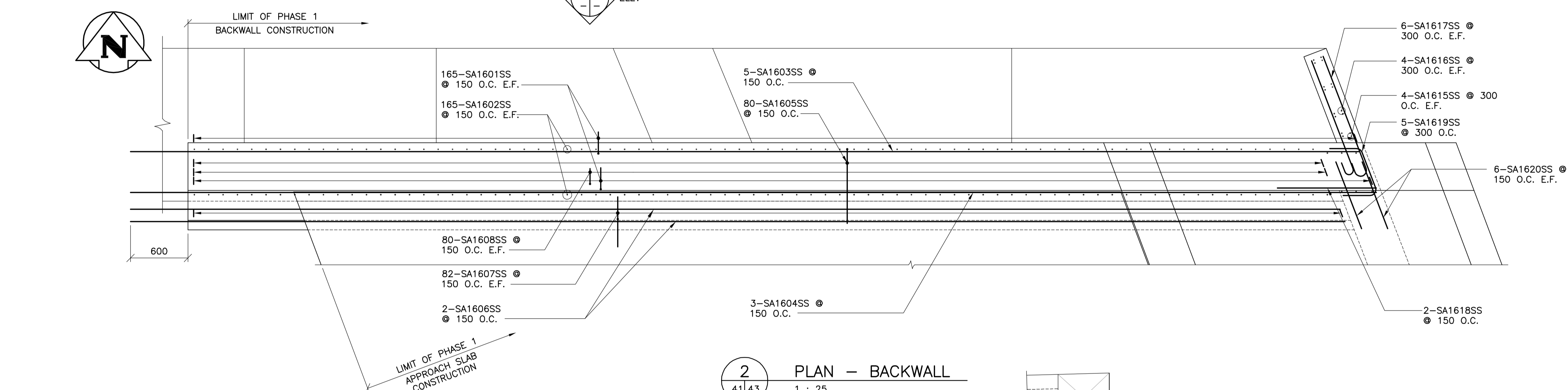
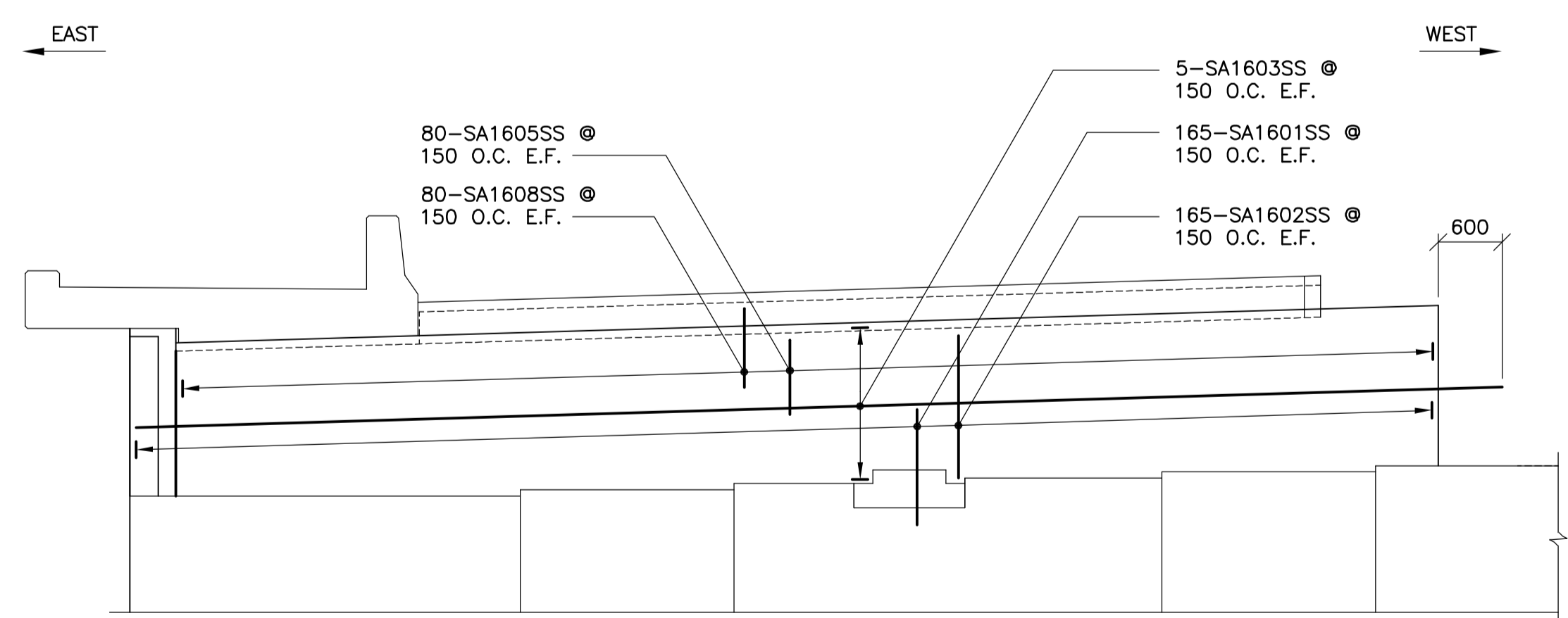


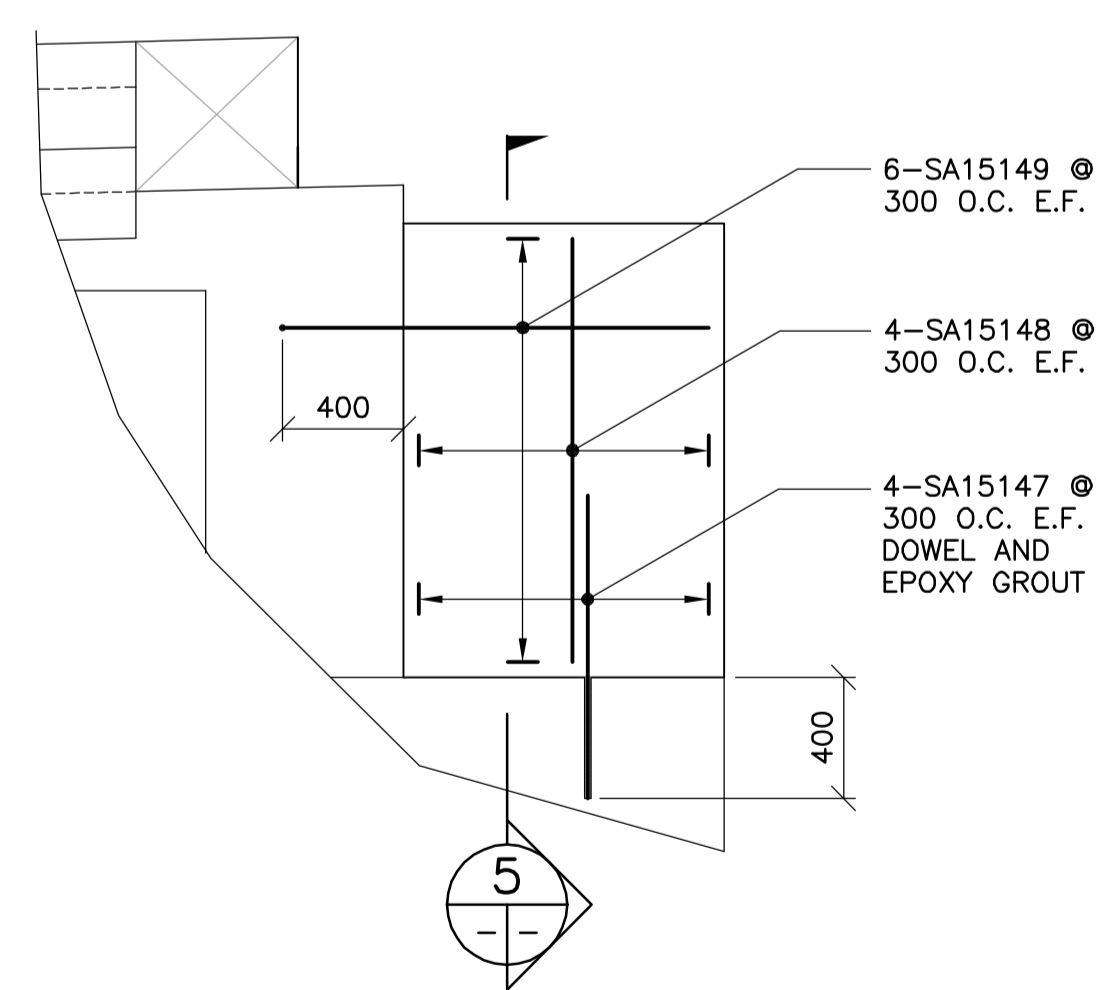
1 SECTION
1 : 30



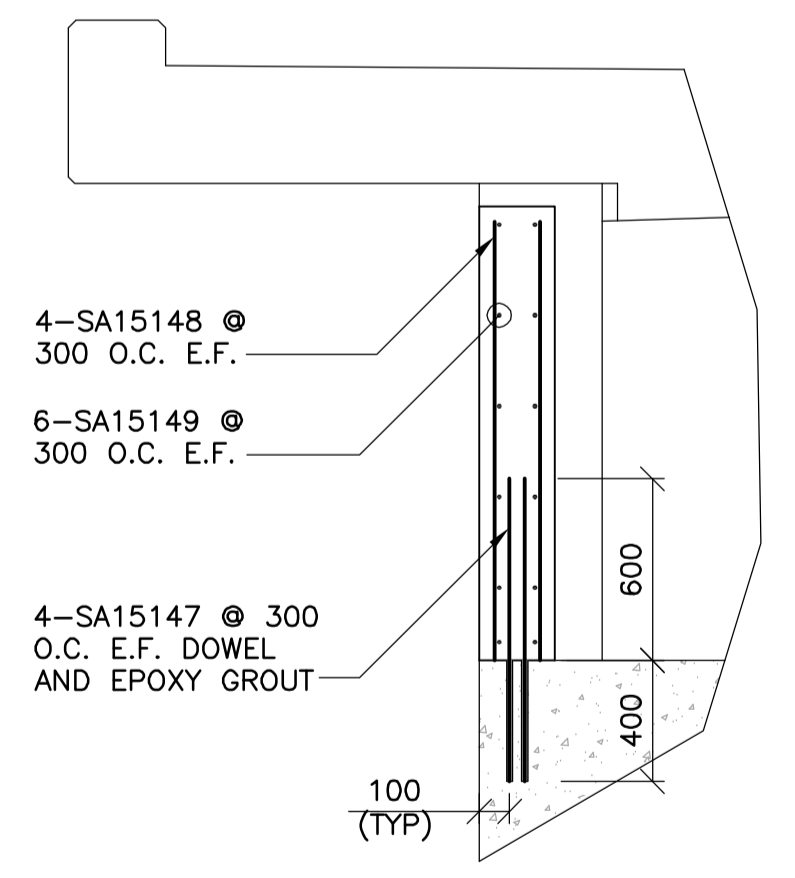
2 PLAN - BACKWALL
1 : 25



3 ELEVATION - BACKWALL REINFORCING
1 : 50



4 PARTIAL ELEVATION MASKWALL REINFORCING
1 : 25



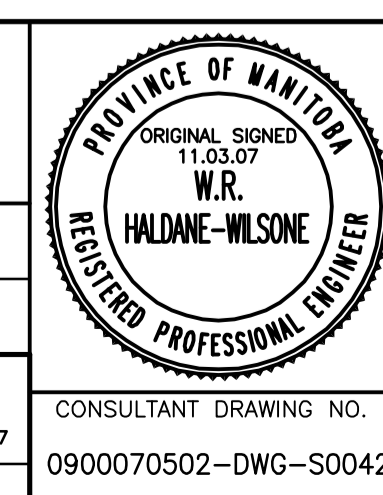
5 MASKWALL SECTION
1 : 25



B.M. ELEV.	F.B.	DATE	BY
00	ISSUED FOR ADDENDUM 1	11.03.07	RHW
NO.	REVISIONS	DATE	BY
		10.10.20	

WARDROP
ATETRA TECH COMPANY

DESIGNED BY: S.Y.	CHECKED BY: R.H.W.
DRAWN BY: C.T.	APPROVED BY: R.H.W.
HOR. SCALE: AS NOTED	RELEASED FOR CONSTRUCTION DATE: 11.03.07
VERTICAL: AS NOTED	ORIGINAL SIGNED DATE: 11.03.07
MATT CHISLETT, P. ENG. BRIDGE PROJECTS ENGINEER	



THE CITY OF WINNIPEG
PUBLIC WORKS DEPARTMENT
ENGINEERING DIVISION

OSBORNE STREET BRIDGE
REHABILITATION & RELATED WORKS

SOUTH ABUTMENT AND APPROACH SLAB
PHASE 1 REINFORCING

CITY DRAWING NUMBER
B109-11-047
SHEET 42 OF 131

CONSULTANT DRAWING NO.
0900070502-DWG-S0042

42