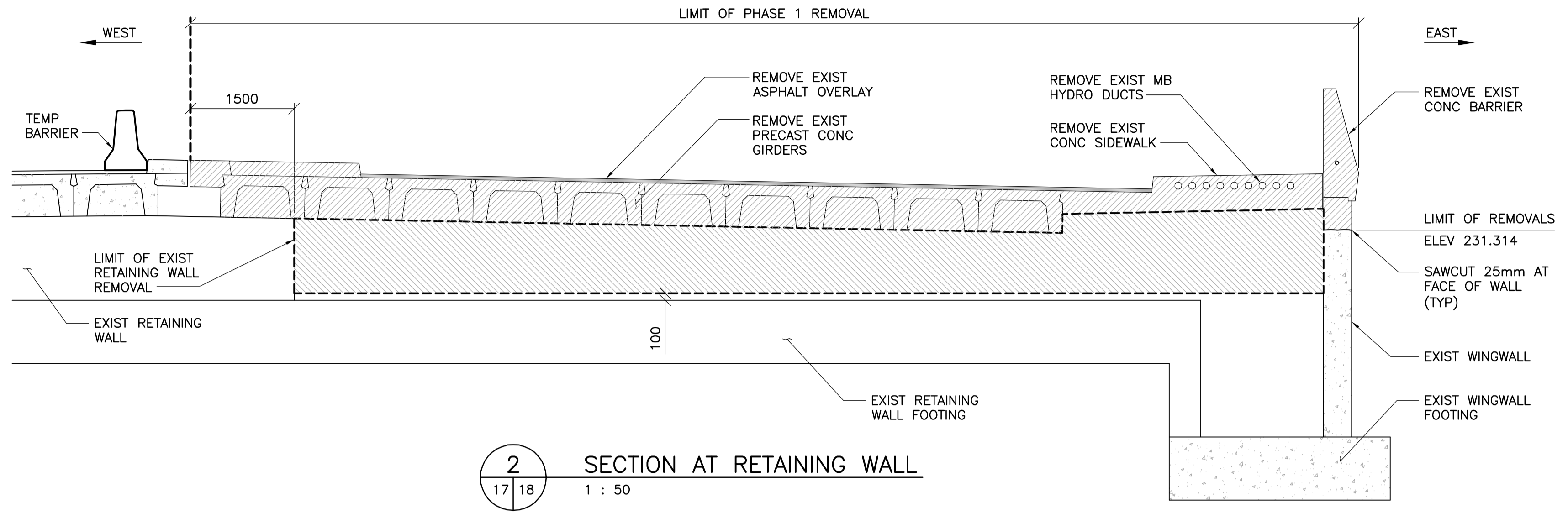
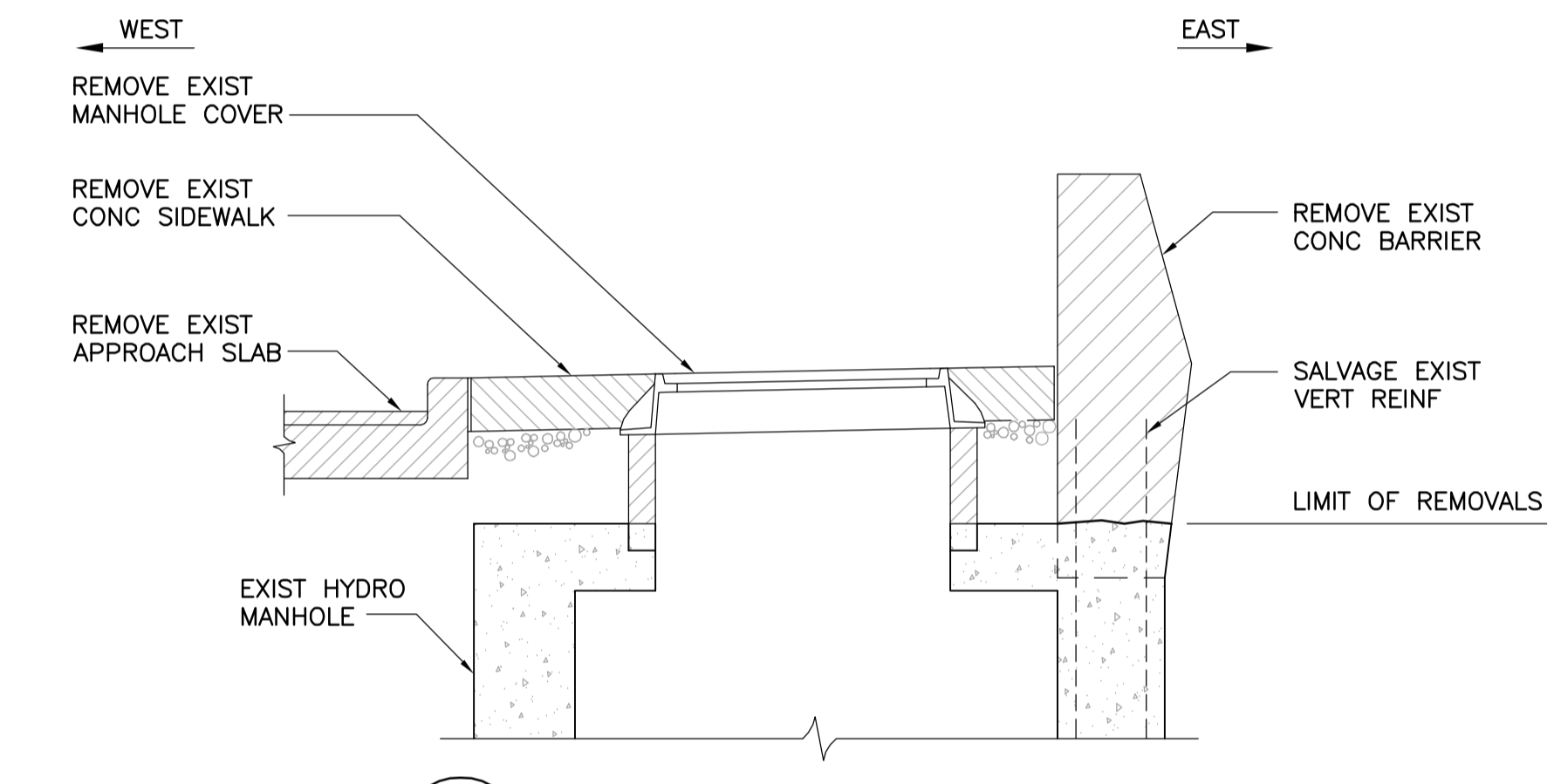


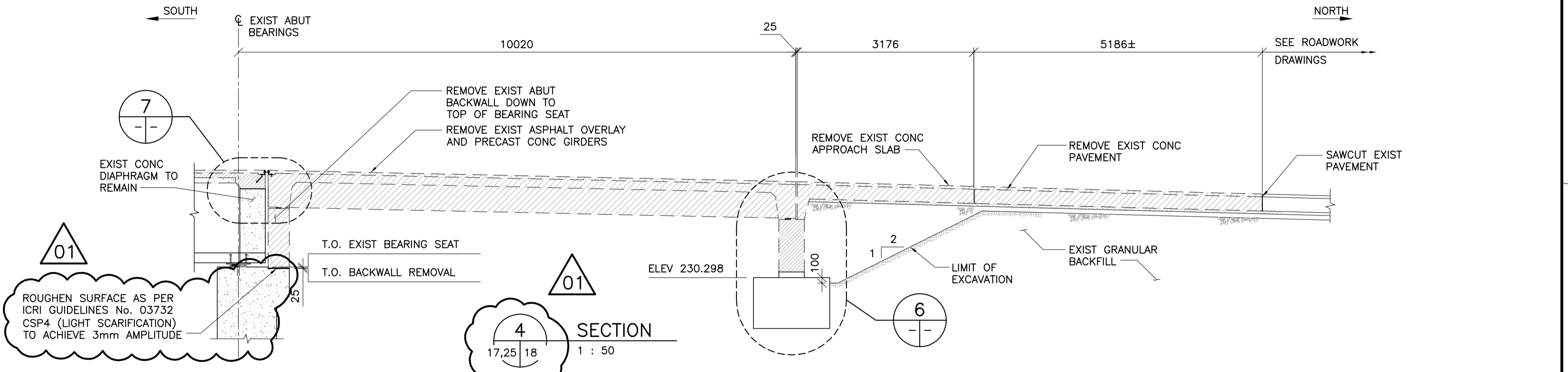
1 NORTHEAST WINGWALL - ELEVATION
17/18 1 : 75



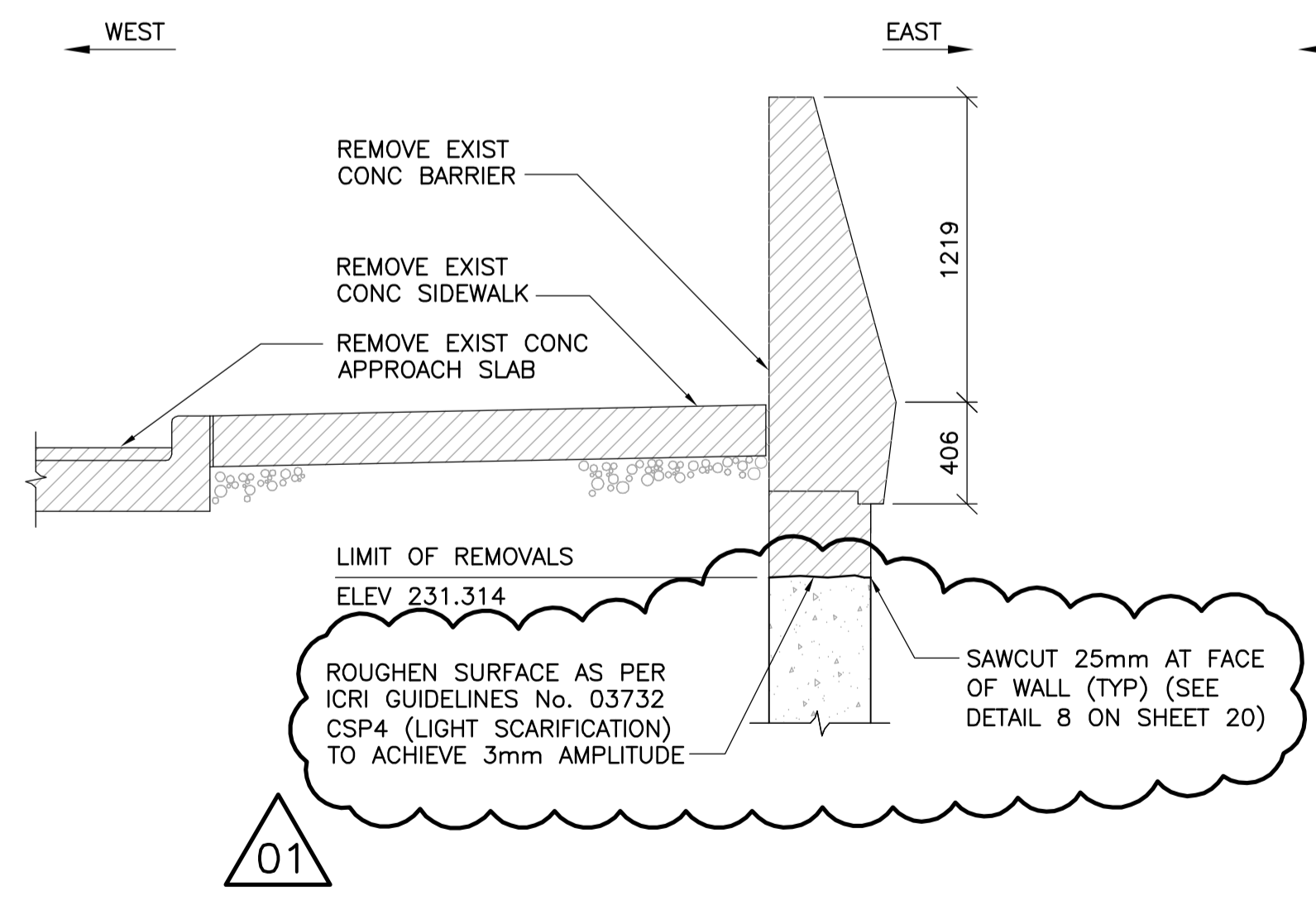
2 SECTION AT RETAINING WALL
17/18 1 : 50



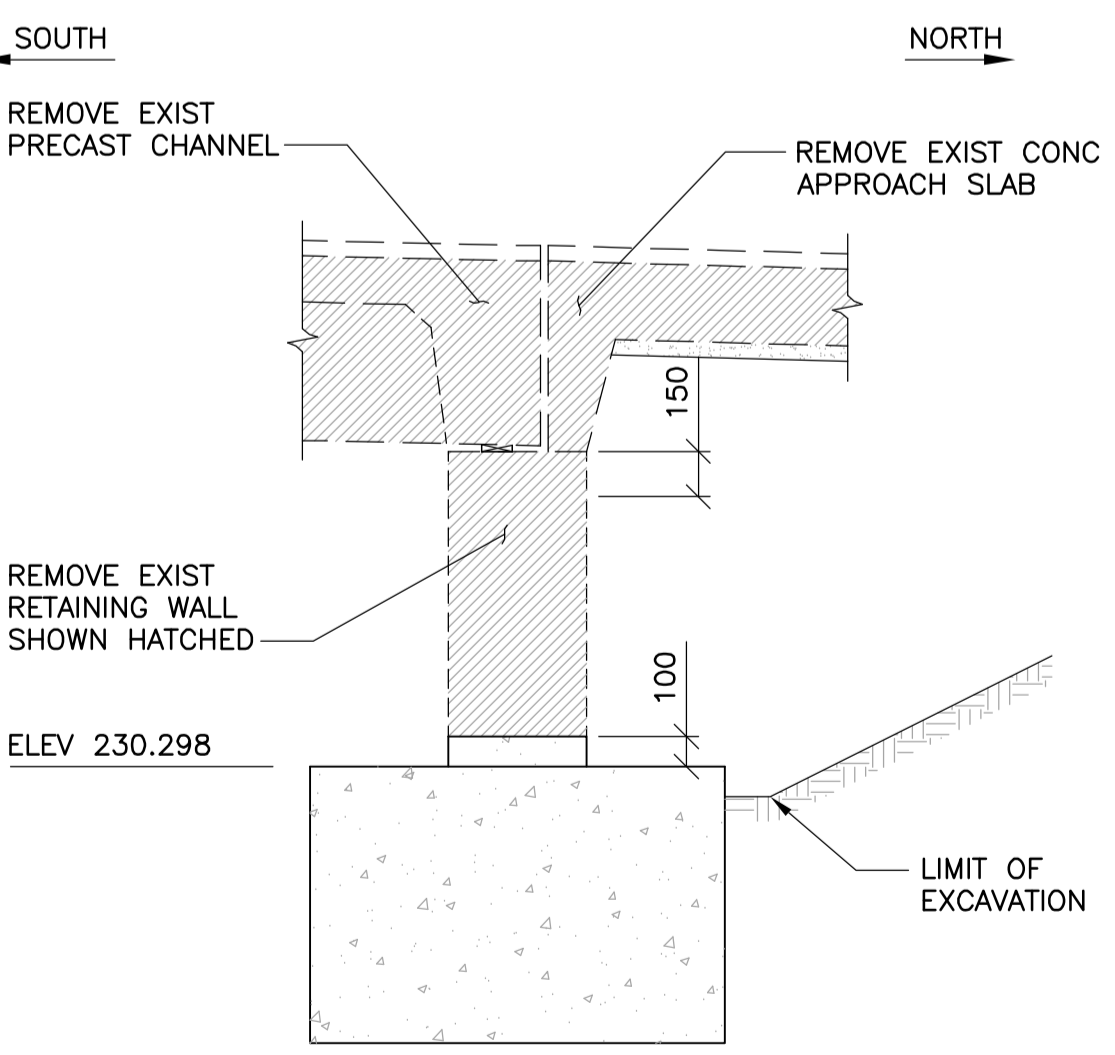
3 SECTION @ MB HYDRO MANHOLE
17/18 1 : 25



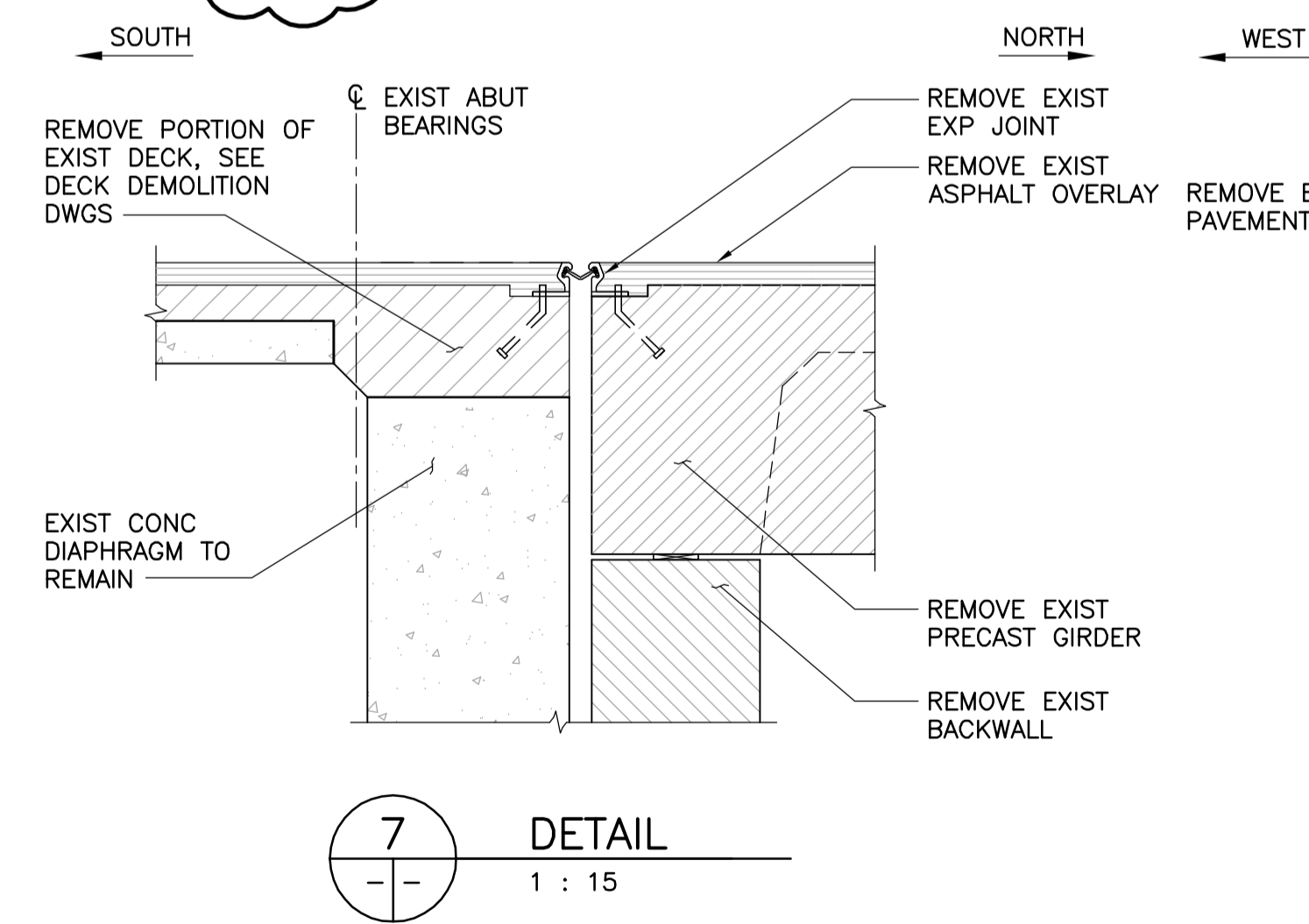
4 SECTION
17,25/18 1 : 50



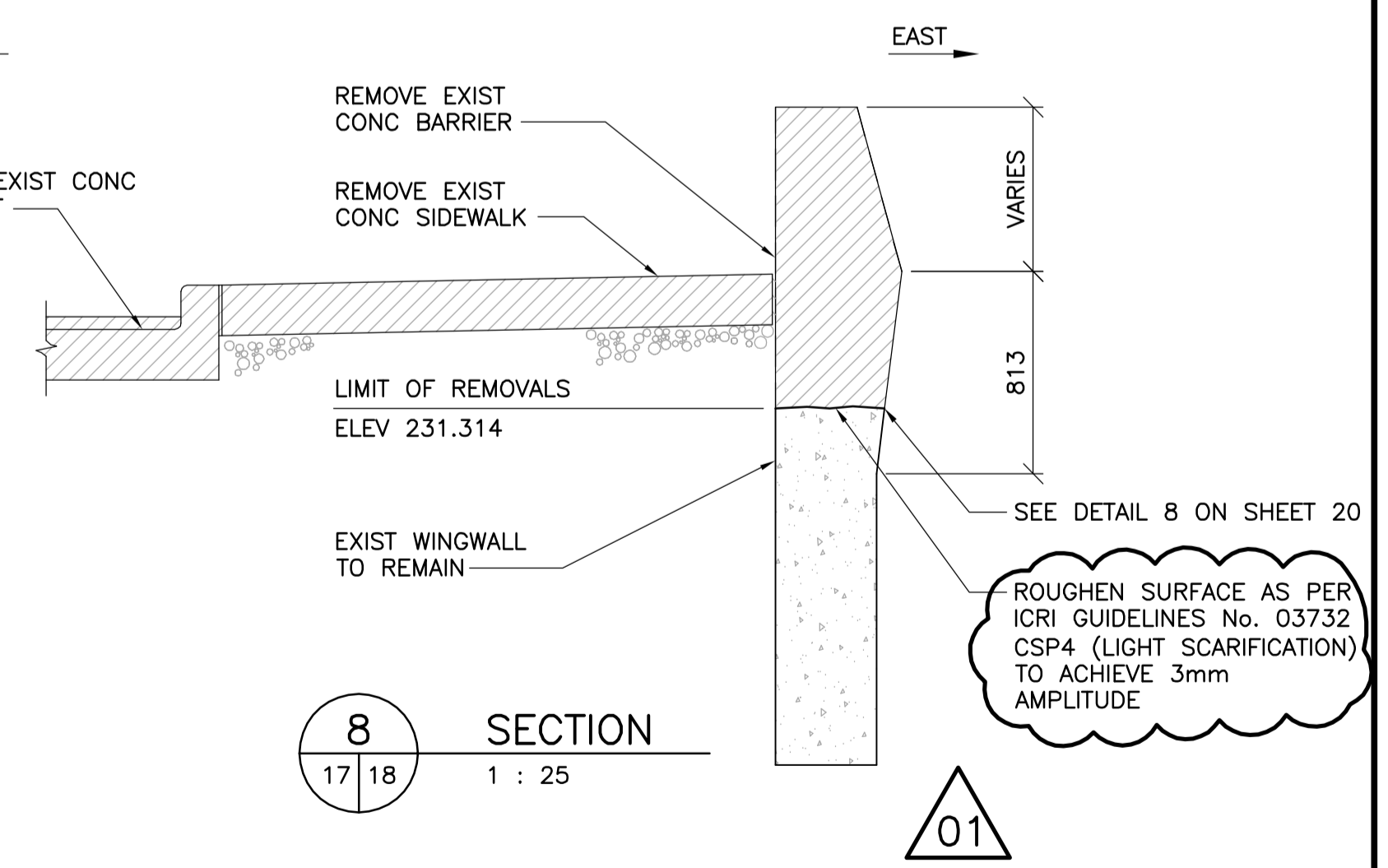
5 SECTION
17/18 1 : 25



6 DETAIL
1 : 25



7 DETAIL
1 : 15

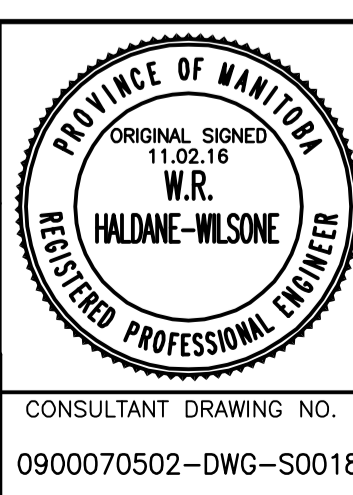


8 SECTION
17/18 1 : 25



B.M. ELEV.	F.B.	DATE	BY

WARDROP ATETRA TECH COMPANY	
DESIGNED BY: S.Y.	CHECKED BY: R.H.W.
DRAWN BY: B.M.	APPROVED BY: R.H.W.
HOR. SCALE: AS NOTED	
VERTICAL: AS NOTED	
DATE: 10.10.20	DATE: 11.02.18



THE CITY OF WINNIPEG
PUBLIC WORKS DEPARTMENT
ENGINEERING DIVISION

OSBORNE STREET BRIDGE
REHABILITATION & RELATED WORKS

NORTH ABUTMENT AND APPROACH SLAB
PHASE 1 REMOVAL

CITY DRAWING NUMBER B109-11-023	SHEET 18	OF 131
CONSULTANT DRAWING NO. 0900070502-DWG-S0018		18