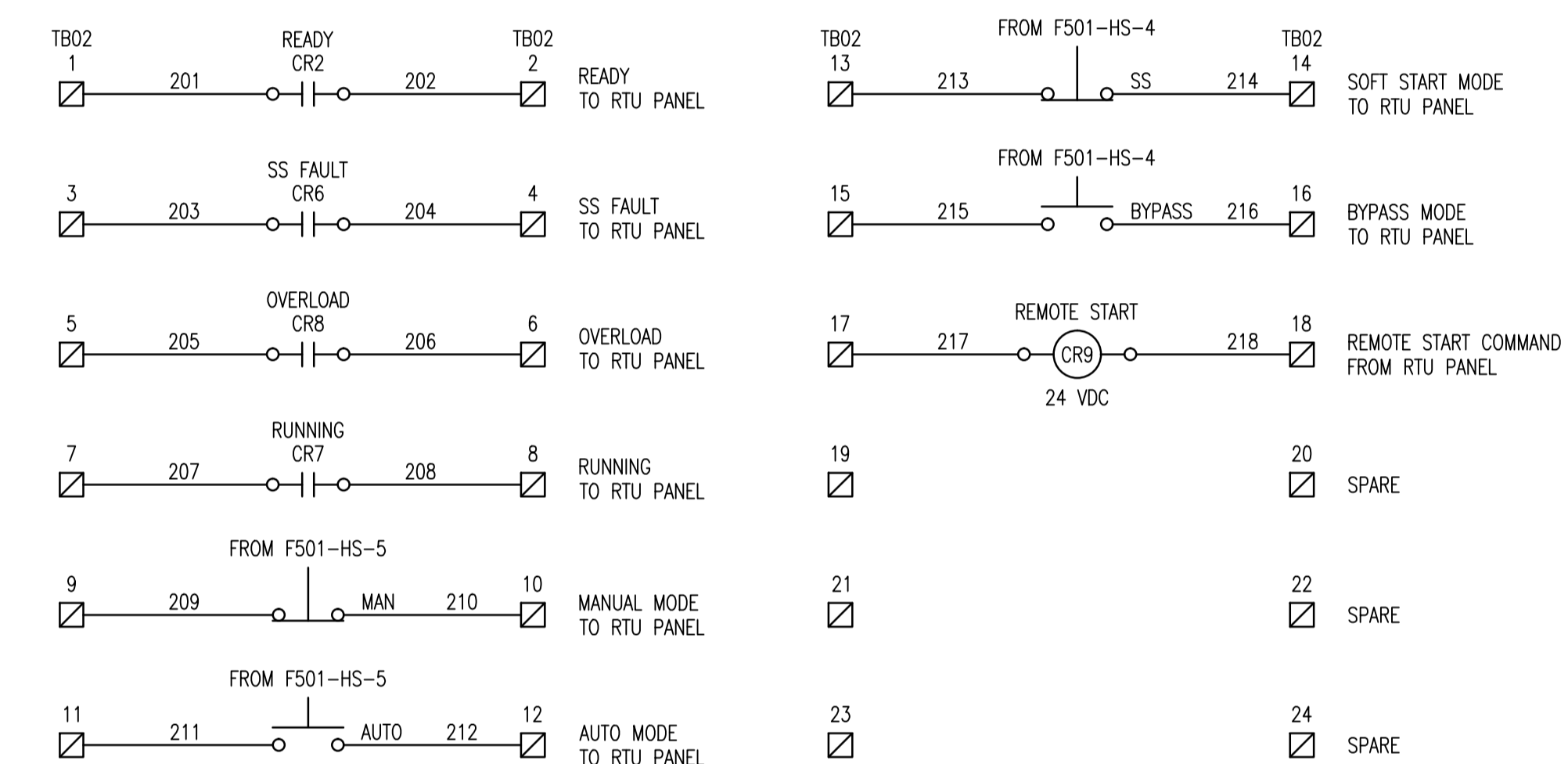


LEGEND:

- SOFT START ENCLOSURE TERMINAL
- SOFT START DEVICE TERMINAL
- CONTACT
- INDICATING LIGHT, R = RED, A = AMBER, G = GREEN
- RELAY COIL
- TRANSIENT VOLTAGE SUPPRESSOR
- ELAPSED TIME METER
- AMMETER



- NOTES:**
- STARTER IS OVERSIZED TO ALLOW FOR COMMON SPARES WITH STARTER FOR P-F2.
 - ACROSS-THE-LINE BYPASS START IS DISABLED AS THE MECHANICAL PUMP ARRANGEMENT HAS NOT BEEN VERIFIED TO BE ABLE TO WITHSTAND THE TORQUE ASSOCIATED WITH A FULL VOLTAGE START.
 - COMPLETE ASSEMBLY TO HAVE A SHORT CIRCUIT CURRENT RATING OF 22KA OR HIGHER.
 - GROUP AND SPACE 600V, 120VAC AND 24VDC TERMINALS AND WIRING SEPARATELY.
 - INSTALL JUMPER WIRE IF START FROM BYPASS STARTER IS REQUIRED IN THE FUTURE.
 - ALL REMOTE WIRING IS 24VDC.
 - TEST SOFT STARTER WILL OPERATE THE MOTOR AT A SLOW SPEED, WHEREBY THE CENTRIFUGAL PUMP WILL NOT ACTUALLY LIFT THE WASTEWATER.

1-0157F-E0008	CONNECTION DIAGRAM - MS-P-F1
DRAWING NUMBER	REFERENCE DRAWINGS



NO.	REVISIONS	DATE	DESIGN	CHECK
00	ISSUED FOR TENDER, BID OPP. 774-2011	2011/11/10	BC	CJR

 SNC-Lavalin Inc. 148 Nature Park Way Winnipeg, MB, Canada R3P 0X7 204-786-8080	
DESIGNED BY: B. CLEVEN/V. ELIMBAN	CHECKED BY: C. REIMER
DRAWN BY: S. FUNK	APPROVED BY: C. REIMER
SCALE: NTS	RELEASED FOR CONSTRUCTION BY: V. JEANCART
DATE: 2011/08/19	DATE: 2011/11/15
CONSULTANT NO.: 505581-0000-47DD-0109	

ENGINEER'S SEAL
 ORIGINAL DRAWING
 SEALED BY:
 C. J. REIMER
 SNC-Lavalin Inc.
 MEMBER #21968
 2011/11/15
 REV. 00

THE CITY OF WINNIPEG
 WATER AND WASTE DEPARTMENT

MAGER DRIVE FLOOD PUMPING STATION

MOTOR STARTER SCHEMATIC
 MS-P-F1
 FLOOD PUMP

CITY DRAWING NUMBER	SHEET	REV.	SIZE
1-0157F-E0007	001	00	A1