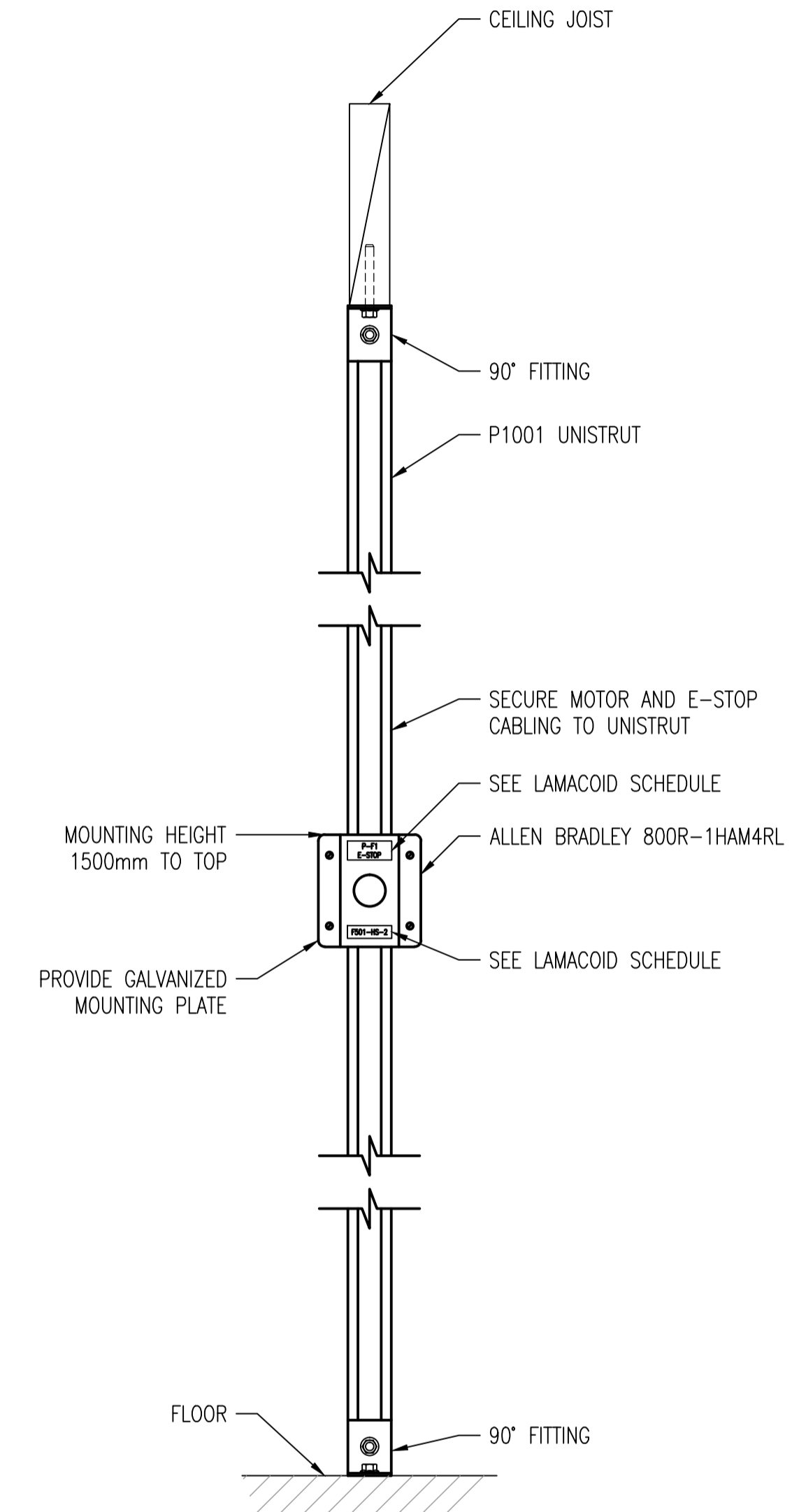


SUPPORTS FOR POWER CABLES
SCALE: 1 : 5

NOTES:

1. POWER CABLES 1/0 OR LARGER AND GROUPS OF CABLES TO BE SUPPORTED AS SHOWN FROM THE TOPS OF THE CEILING JOISTS.



EMERGENCY STOP PUSHBUTTONS
SCALE: 1 : 5



NO.	REVISIONS	DATE	DESIGN	CHECK
00	ISSUED FOR TENDER, BID OPP. 774-2011	2011/11/10	BC	CJR

SNC-LAVALIN INC.
148 Nature Park Way
Winnipeg, MB, Canada R3P 0X7
204-786-8080

DESIGNED BY: B. CLEVEN
DRAWN BY: S. FUNK
SCALE: 1:5
DATE: 2011/09/06

CHECKED BY: C. REIMER
APPROVED BY: C. REIMER
RELEASED FOR CONSTRUCTION BY: V. JEANCART
DATE: 2011/11/15

CONSULTANT NO.: 505581-0000-47DD-0108

ENGINEER'S SEAL

ORIGINAL DRAWING
SEALED BY:
C. J. REIMER
SNC-LAVALIN INC.
MEMBER #21968
2011/11/15
REV. 00

THE CITY OF WINNIPEG
WATER AND WASTE DEPARTMENT

MAGER DRIVE FLOOD PUMPING STATION

INSTALLATION DETAILS

CITY DRAWING NUMBER: 1-0157F-E0006

SHEET: 001

REV.: 00

SIZE: A1