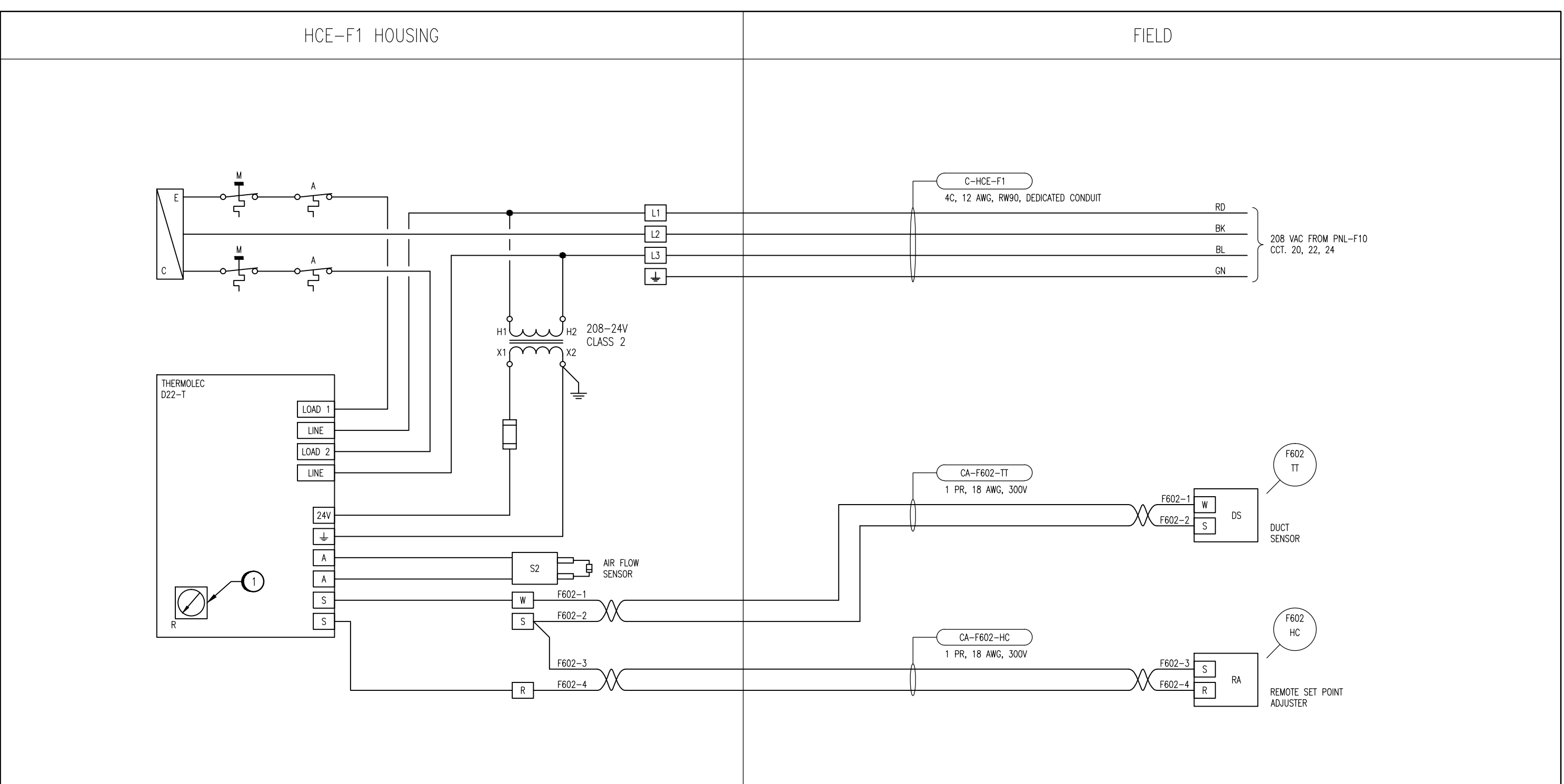


LAST SAVE: 2011/11/23 - 10:25am
 PATH: M:\505581\4ENG\48&C\DD - General DWG\1-0157F-A0003-001-00.dwg
 B SIZE - 279mm x 432mm



NOTES:

- SET THE POTENTIOMETER TO THE "R" POSITION FOR REMOTE CONTROL.



SNC-LAVALIN INC.
 148 Nature Park Way
 Winnipeg, MB, Canada R3P 0X7
 204-786-8080

ENGINEER'S SEAL

ORIGINAL DRAWING
 SEALED BY:
 C. J. REIMER
 SNC-LAVALIN INC.
 MEMBER #21968
 2011/11/15
 REV. 00

THE CITY OF WINNIPEG
 WATER AND WASTE DEPARTMENT

MAGER DRIVE FLOOD PUMPING STATION

LOOP DIAGRAM
 HCE-F1
 LOOP F602

CITY DRAWING NUMBER	SHEET	REV.	SIZE
1-0157F-A0003	001	00	B

NO.	REVISIONS	DATE	DESIGN	CHECK
00	ISSUED FOR TENDER, BID OPP. 774-2011	2011/11/10	VE	CJR

DESIGNED BY: V. ELIMBAN	CHECKED BY: C. REIMER
DRAWN BY: S. FUNK	APPROVED BY: C. REIMER
SCALE: N.T.S.	DATE: 2011/08/03
RELEASED FOR CONSTRUCTION	
BY: V. JEANCART	DATE: 2011/11/15
CONSULTANT NO.: 505581-0000-48DD-0103	