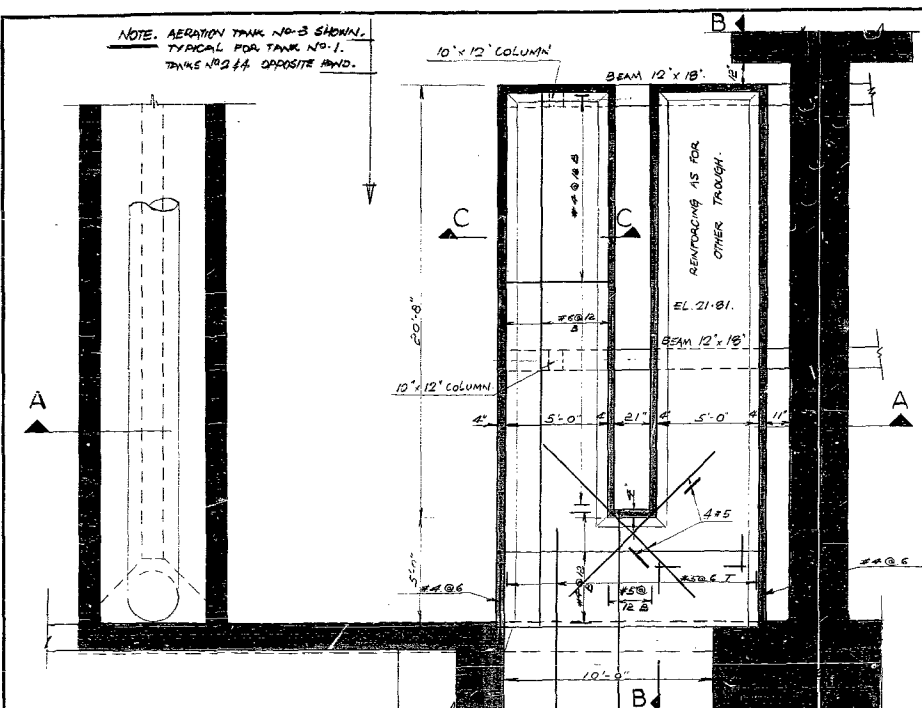
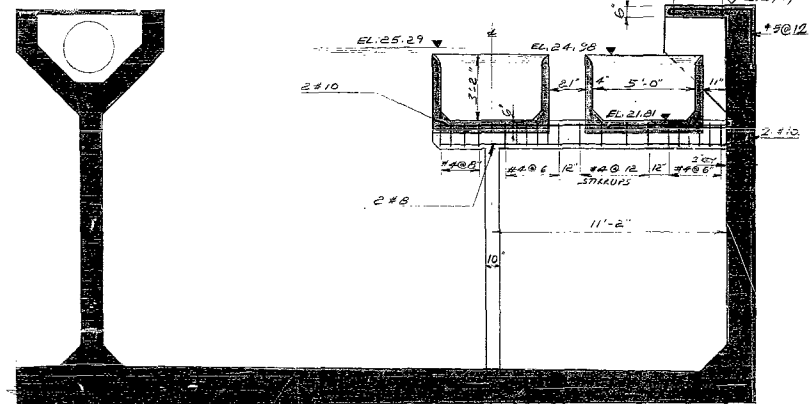


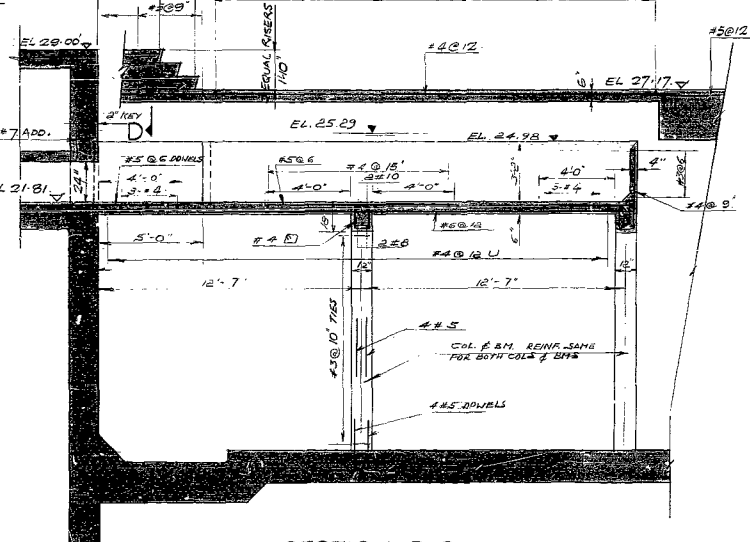
Ref. or Drawing No. **NER-225**  
**DETAILS**



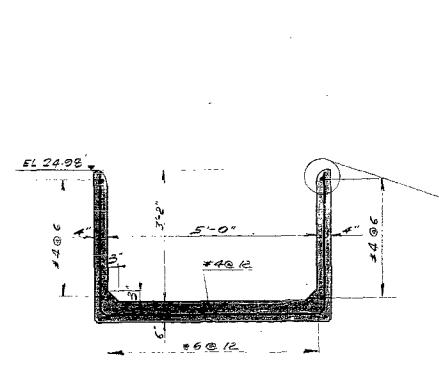
PLAN BELOW ELEVATION 27.17.  
 SCALE 4" = 1'-0"  
 AREA 'C'. AERATION TANK OUTLET TROUGHS



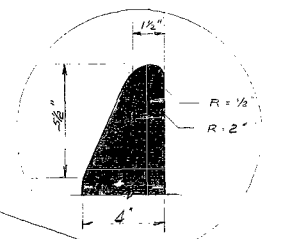
SECTION A-A  
 SCALE 1/2" = 1'-0"



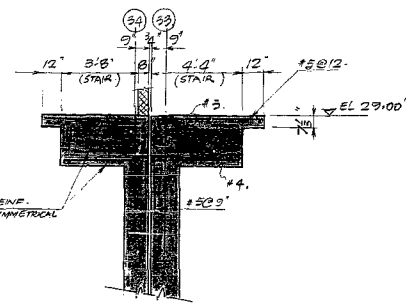
SECTION B-B  
 SCALE 4" = 1'-0"



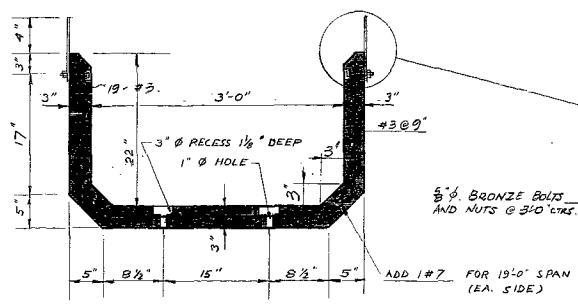
SECTION C-C  
 SCALE 1/2" = 1'-0"



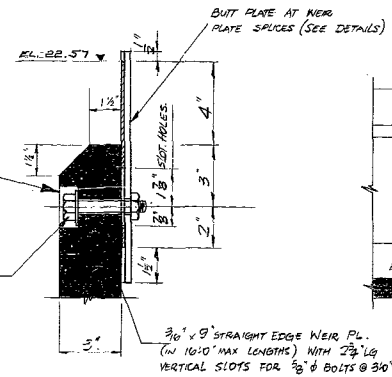
DETAIL OF WEIR CREST  
 SCALE 3" = 1'-0"



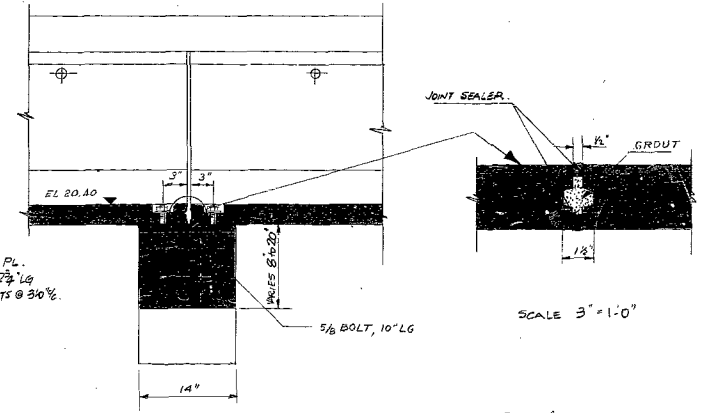
SECTION D-D  
 SCALE 1/4" = 1'-0"



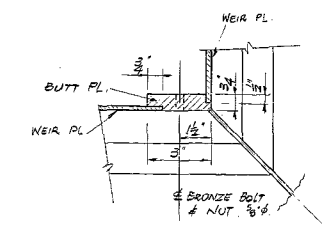
TYPICAL CROSS SECTION  
 SCALE 1" = 1'-0"



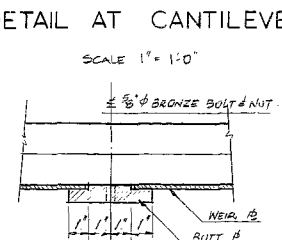
SCALE 3" = 1'-0"



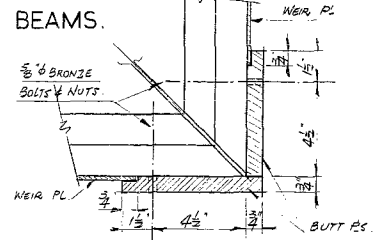
DETAIL AT CANTILEVER BEAMS.  
 SCALE 3" = 1'-0"



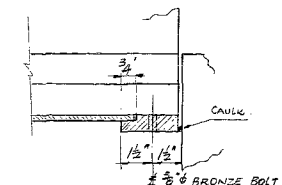
WEIR PL. INTERNAL CORNER  
 SCALE 3" = 1'-0"



WEIR PLATE JOINT.  
 SCALE 3" = 1'-0"



WEIR PL. EXTERNAL CORNER.  
 SCALE 3" = 1'-0"



WEIR PL. END DETAIL  
 SCALE 3" = 1'-0"

FINAL SETTLING TANK EFFLUENT TROUGHS.  
 (SEE DWG. 234. FOR LOCATION)

REVISIONS		
NO.	DATE	DETAIL



THE METROPOLITAN CORPORATION OF GREATER WINNIPEG  
 WATERWORKS AND WASTE DISPOSAL DIVISION

**NORTH END SEWAGE TREATMENT PLANT**

**CONTRACT B - STRUCTURAL  
 AERATION TANKS - PLAN & SECTIONS**

DATE: AUGUST 15, 1963  
 SCALE: AS SHOWN  
 DWG. NO. 225 OF 315  
**NER-225**

APPROVED: *J. W. MacLaren*  
 JAMES F. MACLAREN LIMITED ENGINEERS TORONTO

APPROVED: *D. R. Grimes*  
 D. R. GRIMES ENGINEERING CONSULTANTS WINNIPEG

AS BUILT  
 AUG 11 1966  
 ACTUAL ELEV. 29.00 FT. (NOT 0.37 FT.)