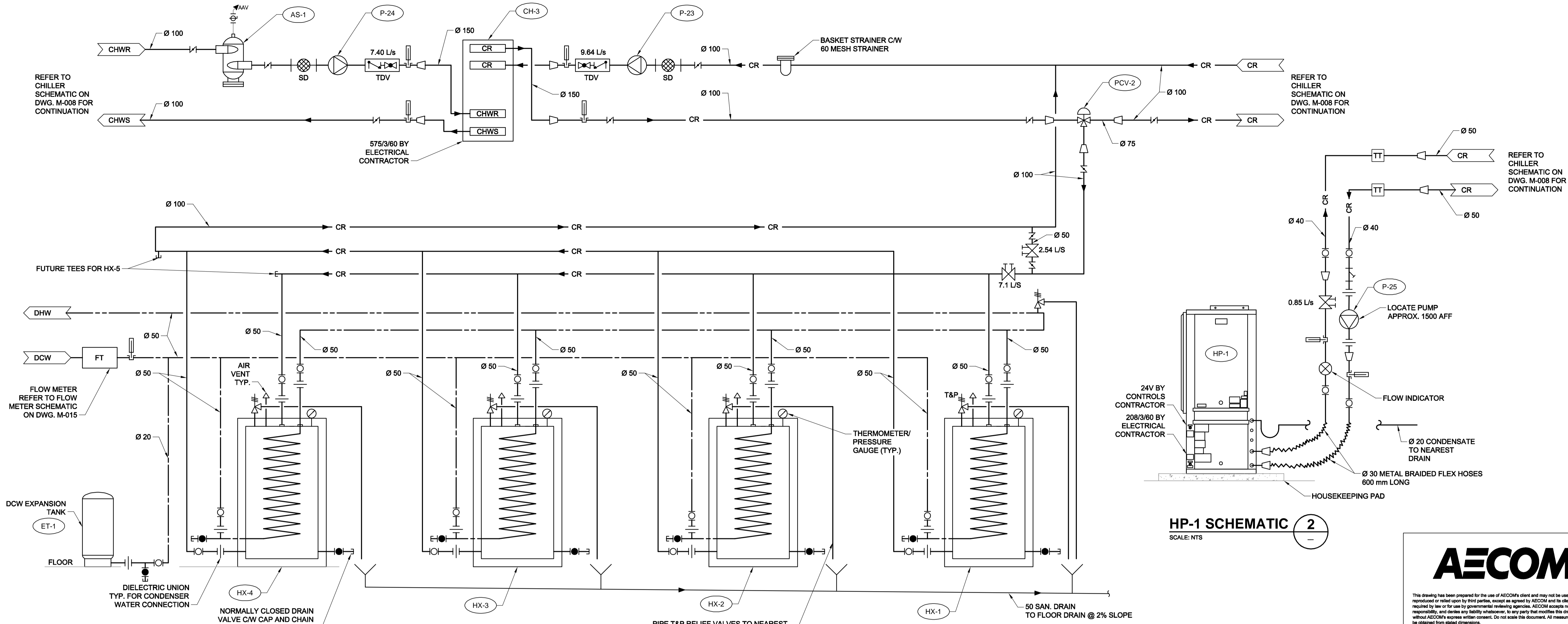
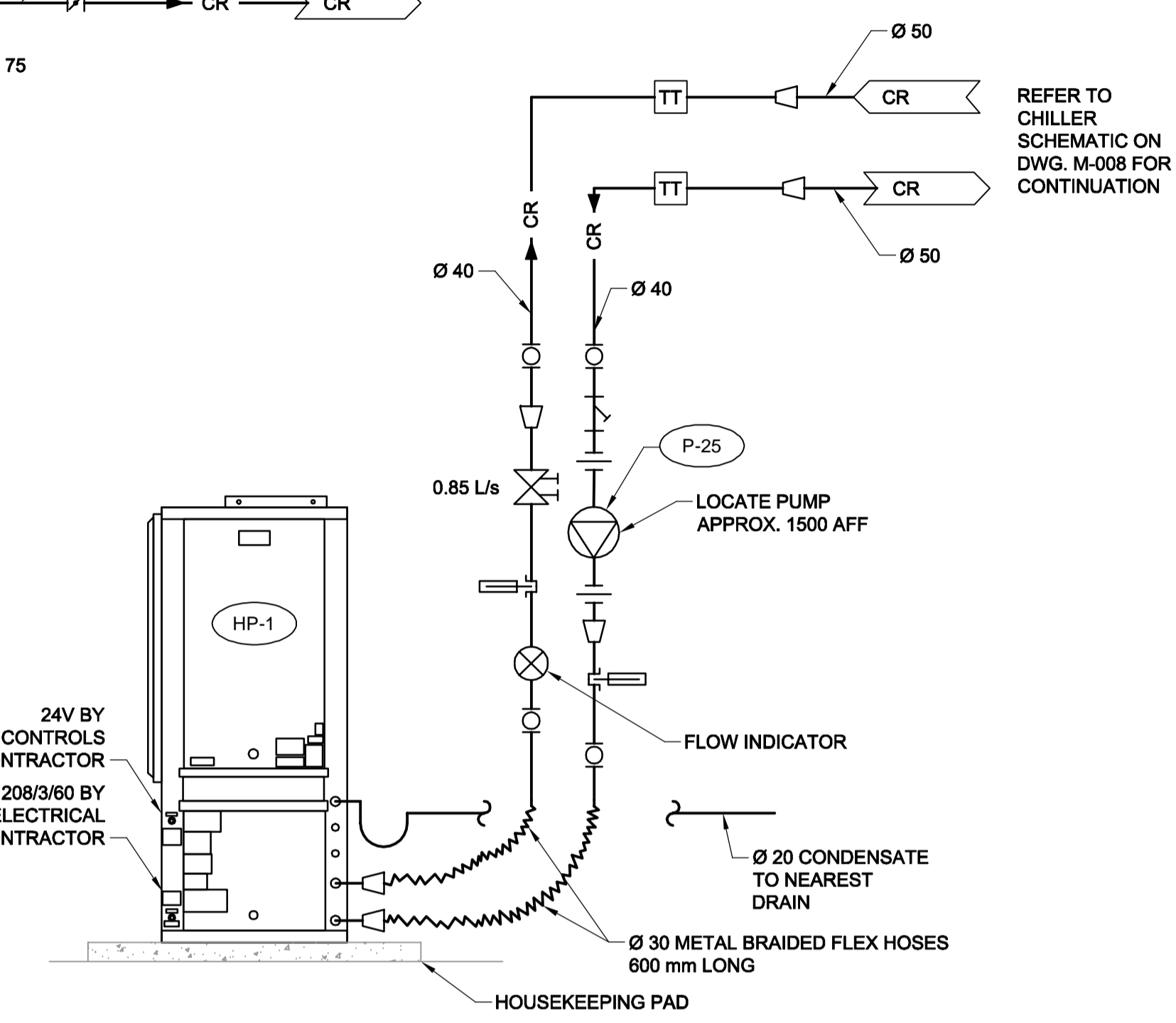


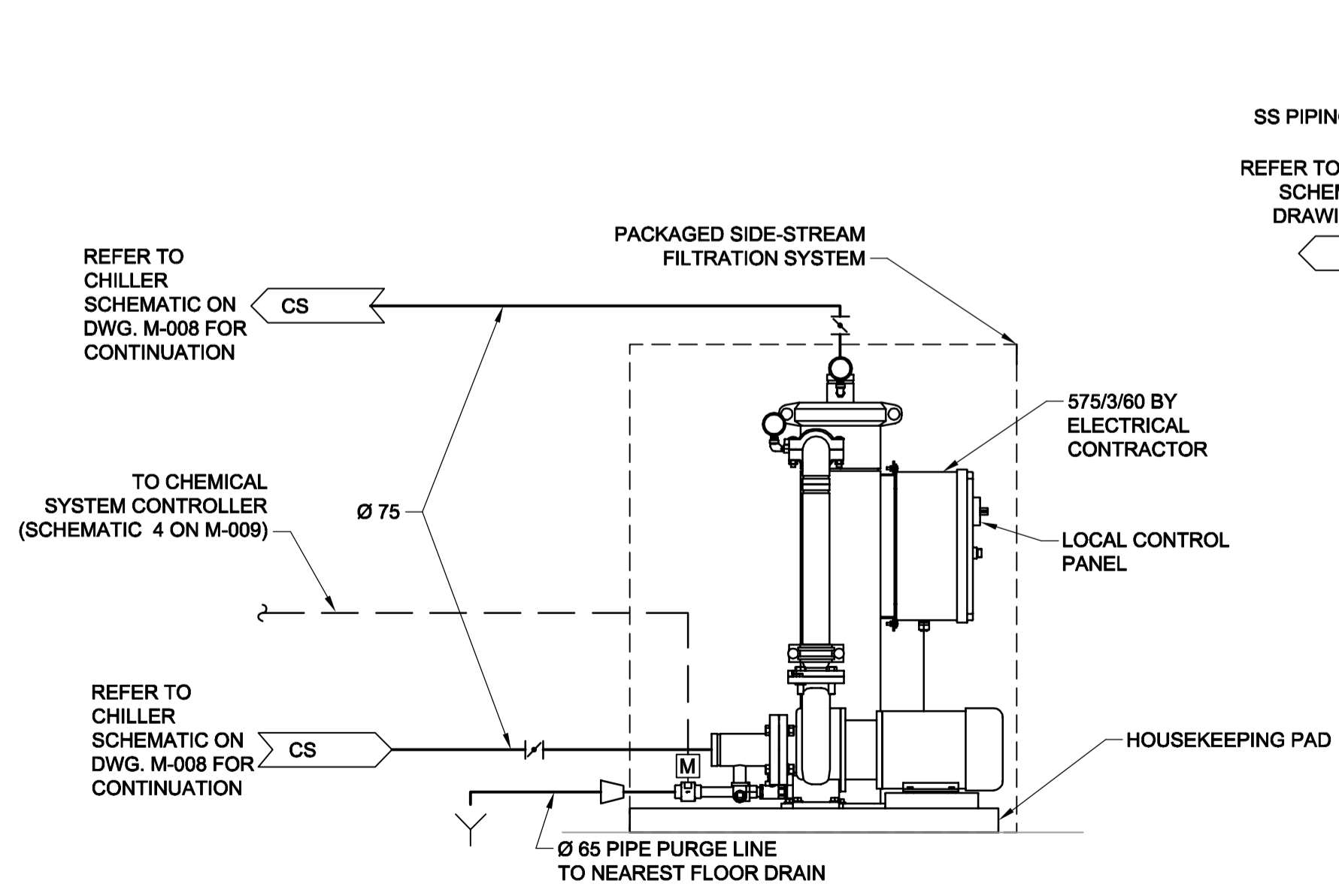
NOTES:



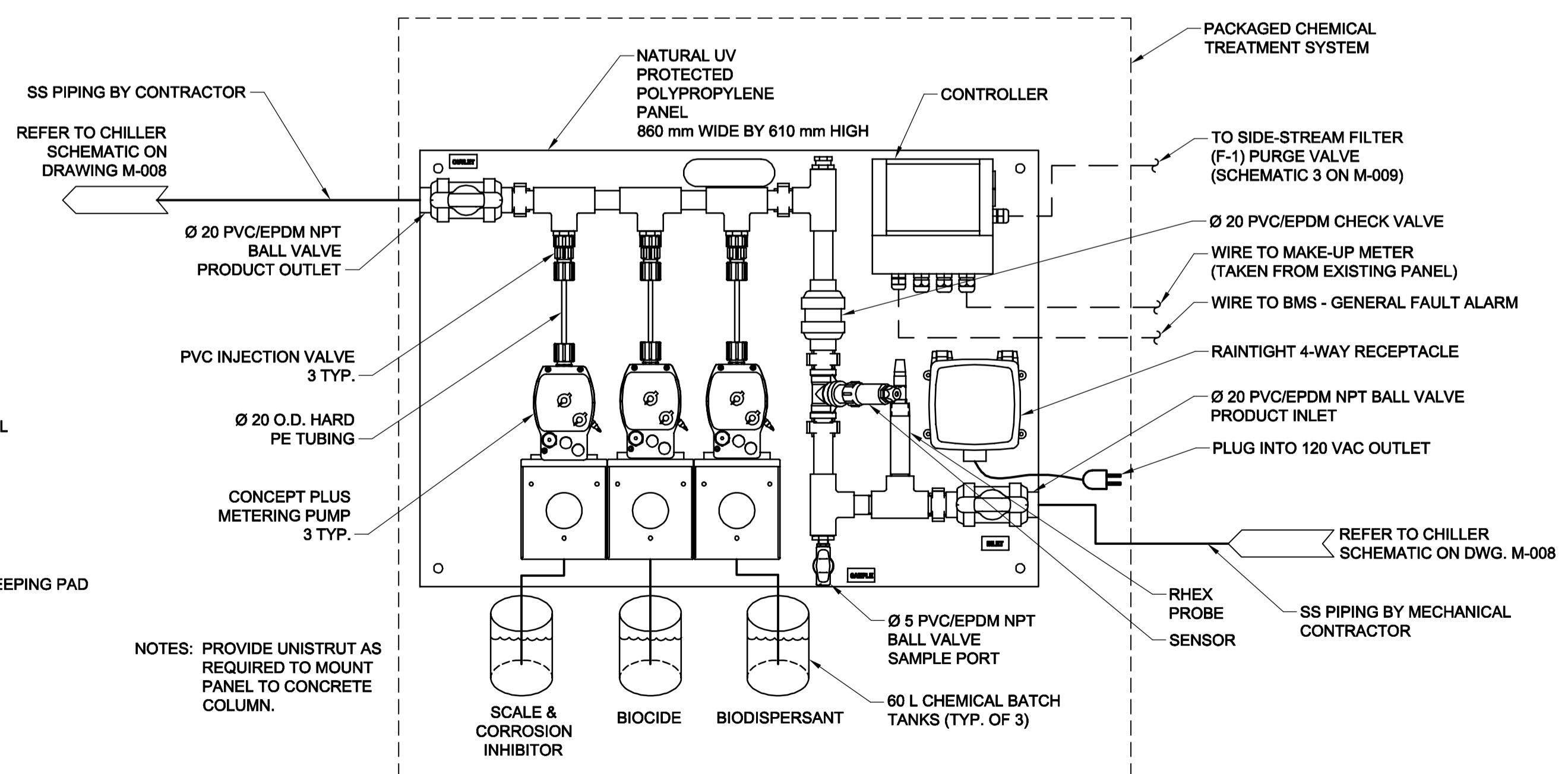
**CH-3 SCHEMATIC 1**  
SCALE: NTS



**HP-1 SCHEMATIC 2**  
SCALE: NTS



**SIDE - STREAM FILTER SCHEMATIC 3**  
SCALE: NTS



**CHEMICAL TREATMENT SYSTEM SCHEMATIC 4**  
SCALE: NTS

<b>AECOM</b>			
This drawing has been prepared for the use of AECOM's client and may not be used, reproduced or relied upon by third parties, except as agreed by AECOM and its client, as required by law or for use by governmental reviewing agencies. AECOM accepts no responsibility, and denies any liability whatsoever, to any party that modifies this drawing without AECOM's express written consent. Do not scale this document. All measurements must be obtained from stated dimensions.			
0	ISSUED FOR TENDER	GT	2011.11.03
No.	REVISION/DESCRIPTION	BY	DATE
SEAL			

DRAWN	GT	CHECKED	DC	DESIGNED	DC	APPROVED	PVL
DATE	2011.09.02	USER	APPROVAL				
THE CITY OF WINNIPEG PLANNING, PROPERTY AND DEVELOPMENT DEPARTMENT MUNICIPAL ACCOMMODATIONS DIVISION 3-65 GARRY STREET, R3C 4K4 PROJECT ADMINISTRATION & COUNCIL BUILDING REPLACEMENT OF COOLING PLANT - 510 MAIN STREET BID OPPORTUNITY NO. 673-2011 510 MAIN STREET, WINNIPEG, MANITOBA							
SHEET TITLE							
<b>MECHANICAL HYDRONIC SCHEMATICS</b>							
SCALE	PROJECT No:	SHEET No:					
NTS	60220937	M-009					

**AECOM**  
 Certificate of Authorization  
 AECOM Canada Ltd.  
 No. 4671 Date: \_\_\_\_\_

DRN	CHK	DES	ENG	IDR
AECOM REVIEW				