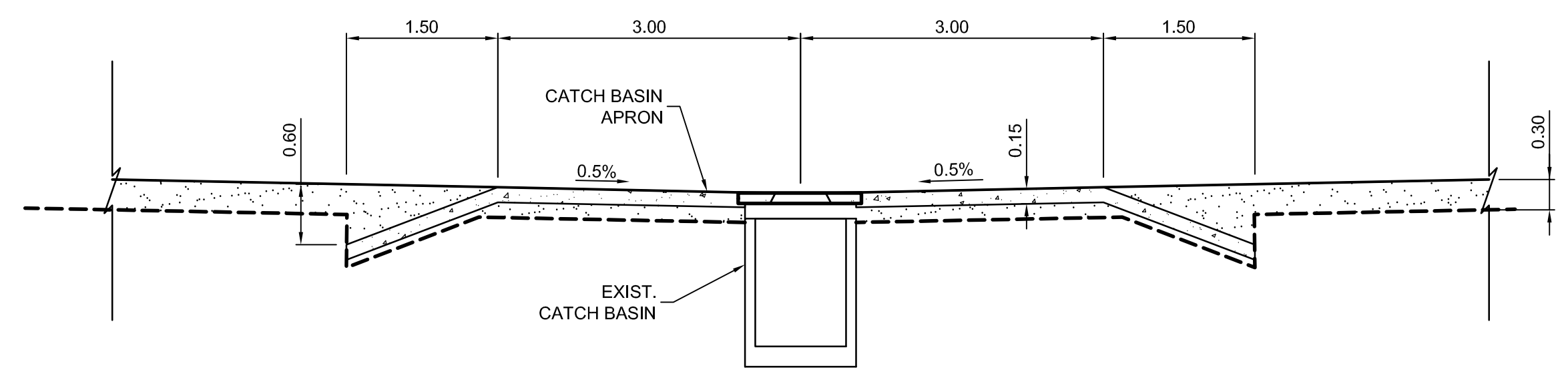
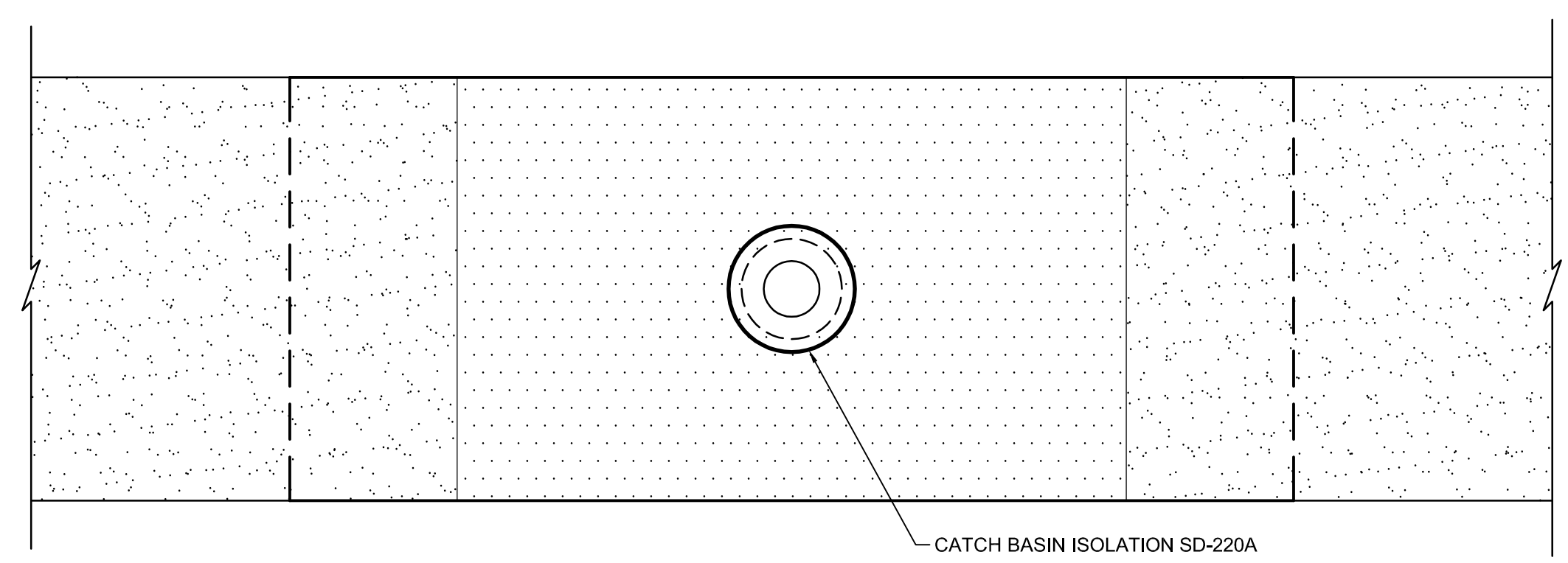


A TYPICAL LIMESTONE SECTION
SCALE 1:50



1 CATCH BASIN APRON
SCALE 1:50

- CONSTRUCTION NOTES:**
- LANES ARE TO BE GRADED AS DIRECTED BY THE CONTRACT ADMINISTRATOR
 - CONFIRM LOCATION OF ALL EXISTING UTILITIES PRIOR TO CONSTRUCTION.
 - NOTIFY ALL RESIDENTS AND BUSINESSES 24 HOURS IN ADVANCE OF ANY DISRUPTION OF UTILITY SERVICE.
 - ENSURE ALL THE UPPER EDGES OF THE GEOTEXTILE AND ENVIROGRID HAVE A MINIMUM OF 100mm BURIED DEPTH OVER ALL PORTIONS.
 - CONTRACTOR TO TAKE PRECAUTIONARY STEPS TO AVOID DAMAGE FROM CONSTRUCTION ACTIVITIES TO TREES
 - LOCATION OF EXISTING SERVICES AND UTILITIES TO BE CONFIRMED IN THE FIELD BY THE CONTRACTOR

METRIC

WHOLE NUMBERS INDICATE MILLIMETRES
DECIMAL NUMBERS INDICATE METRES

WARNING

- IF POWER EQUIPMENT OR EXPLOSIVES ARE TO BE USED FOR EXCAVATION ON THIS PROJECT THE CONTRACTOR MUST:
- NOTIFY THE GAS COMPANY OF THE PROPOSED LOCATION OF EXCAVATION.
 - TAKE PRECAUTION TO AVOID DAMAGE TO GAS COMPANY INSTALLATIONS SEE PROVINCIAL REGULATION 210/72 FOR DETAILS.
 - OBTAIN EXCAVATION PERMITS PRIOR TO CONSTRUCTION.

G:\CAD\11-5329\Contract\Current\Grading_Paving_&_Grading.dwg

150 WM	WATERMAIN	150 WM	HYDRO	HYDRO	HYDRO	150 mm W.M.	WATERMAIN	150 mm W.M.
	HYDRANT VALVE		M.T.S.		CONCRETE		ASPHALT	
	LAND DRAINAGE SEWER		WASTE WATER SEWER		PLANING		SIDEWALK	
	MANHOLE		CATCH BASIN		PAVING STONES		PARTIAL DEPTH REPAIR	
	CURB INLET		JUNCTIONS		PROPERTY LINE		SURVEY BAR	
	CULVERT		GAS		CURB RAMP		SOUTH/EAST T/LANE	
	EXISTING		PROPOSED		EXISTING		PROPOSED	
	LEGEND-PLAN		LEGEND-PLAN		LEGEND-PROFILE		LEGEND-PROFILE	

UNDERGROUND STRUCTURES

SUPPLY, U/G STRUCTURES COMMITTEE DATE

NOTE:
LOCATION OF UNDERGROUND STRUCTURES AS SHOWN ARE BASED ON THE BEST INFORMATION AVAILABLE. BUT NO GUARANTEE IS GIVEN THAT ALL EXISTING UTILITIES ARE SHOWN OR THAT THE GIVEN LOCATIONS ARE EXACT. CONFIRMATION OF EXISTENCE AND EXACT LOCATION OF ALL SERVICES MUST BE OBTAINED FROM THE INDIVIDUAL UTILITIES BEFORE PROCEEDING WITH CONSTRUCTION.

B.M. ELEV.	DESIGNED BY	DATE	BY	DATE
	BPN			
	PMW			
	DBW			
	DPK			
	1:600			
	VERTICAL			
	2011/09/01			

NO.	REVISIONS	DATE	BY	DATE
1	ISSUED FOR TENDER	2011/09/01	BPN	

DILLON CONSULTING

RELEASED FOR CONSTRUCTION

DATE

ENGINEER'S SEAL

PROVINCE OF MANITOBA

REGISTERED PROFESSIONAL ENGINEER

W.P. NAIRN
2011/09/01
Member 34277

CONSULTANT PROJECT NUMBER
11-5329

THE CITY OF WINNIPEG
PUBLIC WORKS DEPARTMENT

2011 GRANULAR LANE IMPROVEMENT PROGRAM

LANE E

CITY DRAWING NUMBER

SHEET 5 OF 14

CONSULTANT DRAWING NUMBER