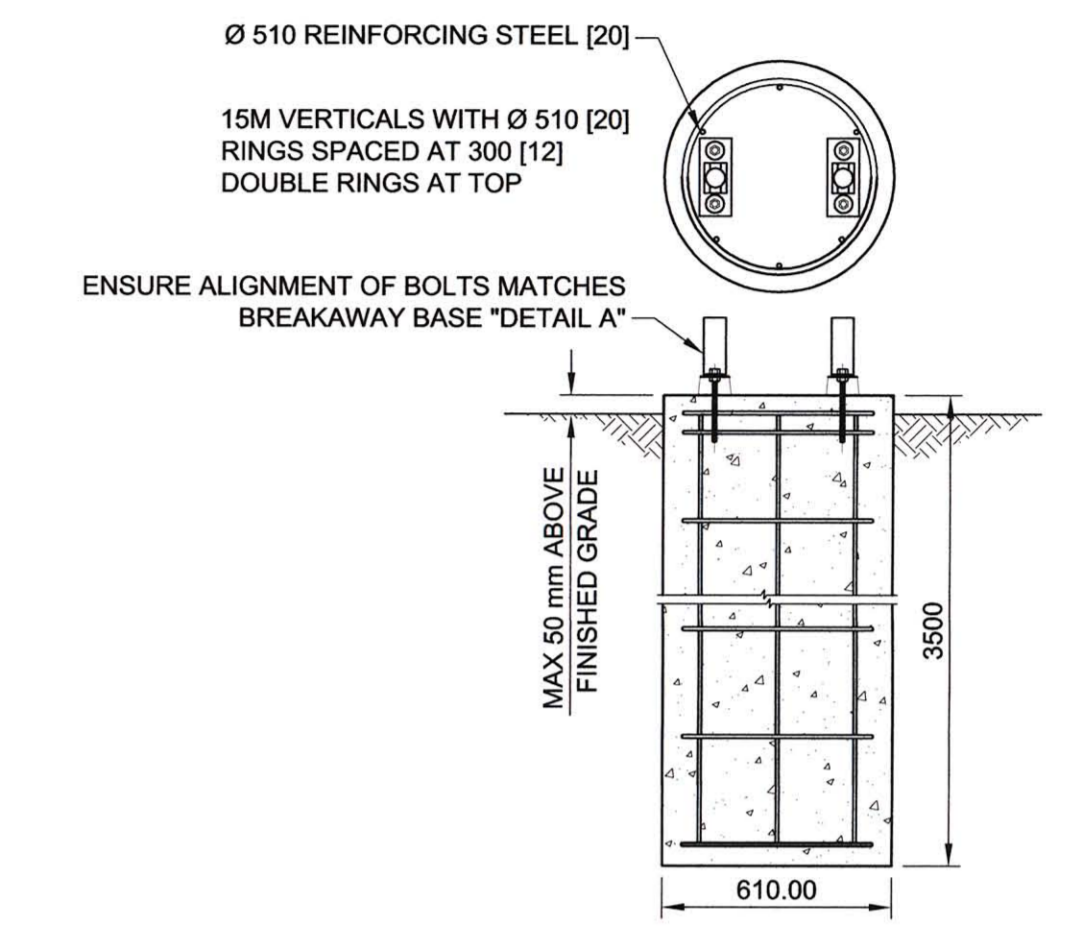
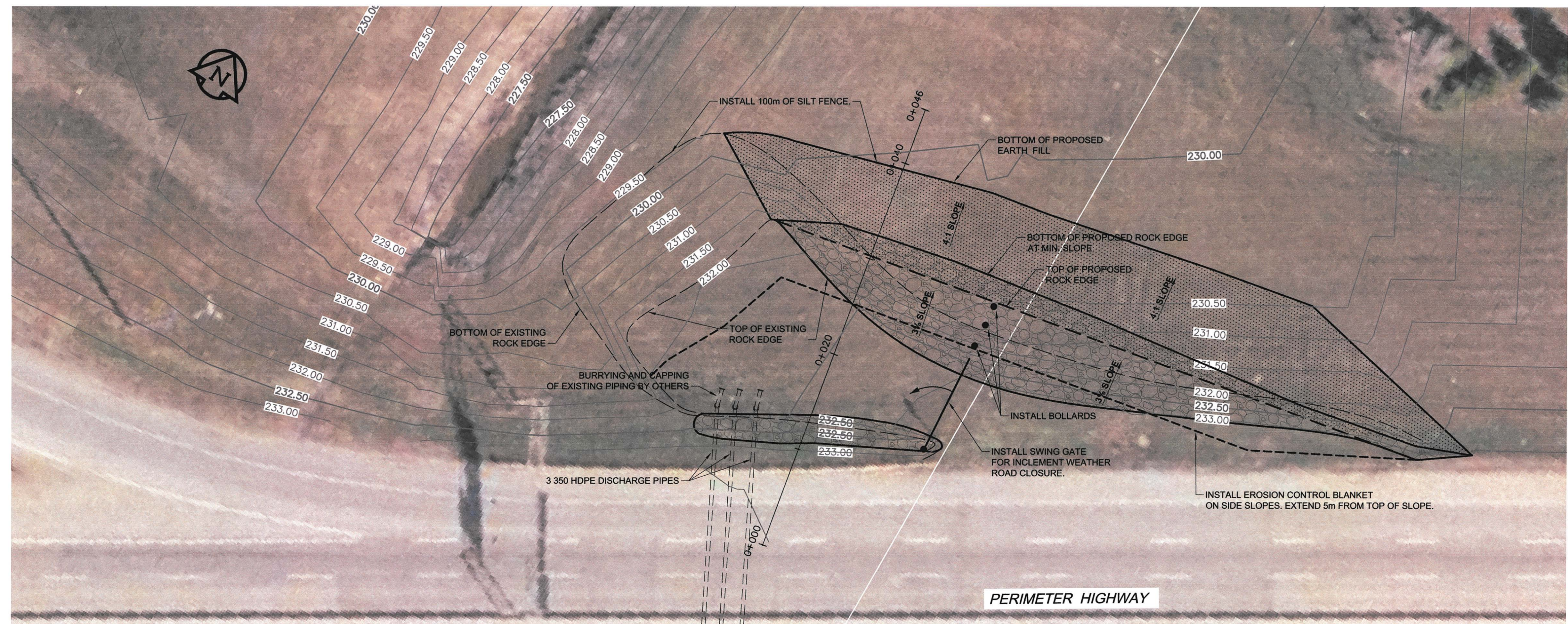


- CONSTRUCTION NOTES:**
1. ALL WORK AND MATERIALS SHALL CONFORM TO THE CITY OF WINNIPEG STANDARD CONSTRUCTION SPECIFICATIONS.
 2. TRAFFIC MANAGEMENT ON THE PERIMETER HIGHWAY TO BE IN ACCORDANCE WITH THE MANITOBA INFRASTRUCTURE AND TRANSPORTATION WORK ZONE TRAFFIC CONTROL MANUAL (STANDARD DETAIL TMP-7A).
 3. SLOPES SHOWN ON PROFILE ARE MINIMUM SLOPES REQUIRED. ALL ROCK IMPORTED FROM THE BEAUJOLAIS COULEE LOCATION TO BE UTILIZED. THIS MAY REDUCE THE AMOUNT OF REQUIRED EARTH FILL.
 4. SEEDING IN ACCORDANCE WITH SPECIFICATION SECTION E3.
 5. REMOVE SILT FENCE AND EROSION CONTROL BLANKET ONCE ACCEPTABLE VEGETATION HAS OCCURED.



CONCRETE PILE DETAIL
SCALE: NTS



AECOM
Certificate of Authorization
AECOM Canada Ltd.
No. 4671 Date: *Sept 23/11*

BID OPPORTUNITY NO. 656-2011

150 WM	WATERMAIN	150 WM	CURB STOP	150 WM	WATERMAIN
HYDRANT	REDUCER	VALVE	REDUCER	HYDRANT	REDUCER
300 LDS	LAND DRAINAGE SEWER	300 LDS	ANODE	300 LDS	LAND DRAINAGE SEWER
250 WWS	WASTE WATER SEWER	250 WWS	HYDRO	250 WWS	WASTE WATER SEWER
MANHOLE	CATCH BASIN	CURB INLET	TESTHOLE	N/W GUTTER	S/E GUTTER
CULVERT	PIPE ABANDONMENTS	SURVEY BAR	LAMP STANDARD	N/W GUTTER	S/E GUTTER
EXISTING	LEGEND - PLAN	NEW	LEGEND - PLAN	EXISTING	LEGEND - PROFILE

LOCATION APPROVED UNDERGROUND STRUCTURES

DATE COMMITTEE

NOTE: LOCATION OF UNDERGROUND STRUCTURES AS SHOWN ARE BASED ON THE BEST INFORMATION AVAILABLE. BUT NO GUARANTEE IS GIVEN THAT ALL EXISTING UTILITIES ARE SHOWN OR THAT THE GIVEN LOCATIONS ARE EXACT. CONFIRMATION OF EXISTENCE AND EXACT LOCATION OF ALL SERVICES MUST BE OBTAINED FROM THE INDIVIDUAL UTILITIES BEFORE PROCEEDING WITH CONSTRUCTION.

0	ISSUED FOR TENDER	11/09/23	GDL
NO.	REVISIONS	YYMMDD	BY

AECOM

DESIGNED BY: PL
DRAWN BY: GDL
CHECKED BY: KWF
APPROVED BY: [Signature]
RELEASED FOR CONSTRUCTION: [Signature]
DATE: [Signature]

PROFESSIONAL'S SEAL
PROVINCE OF MANITOBA
K.W.
FITCHETT
REGISTERED PROFESSIONAL ENGINEER
CONSULTANT DRAWING NO. 60219381-01-C-101-R0X.dwg

THE CITY OF WINNIPEG
WATER AND WASTE DEPARTMENT

CITY OF WINNIPEG
BEAUJOLAIS COULEE AND BALDRY CREEK
FLOOD RESTORATION WORKS

PERIMETER HIGHWAY
300m EAST OF PEMBINA HIGHWAY OVERPASS

SHEET 1 OF 2
CITY DRAWING NUMBER
SLD-62
REV 0