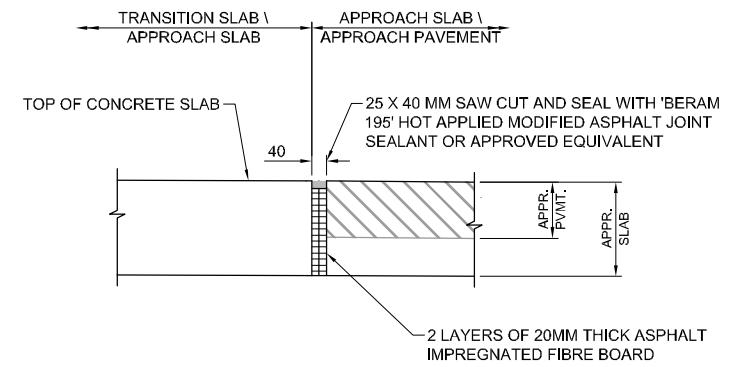
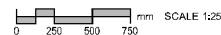
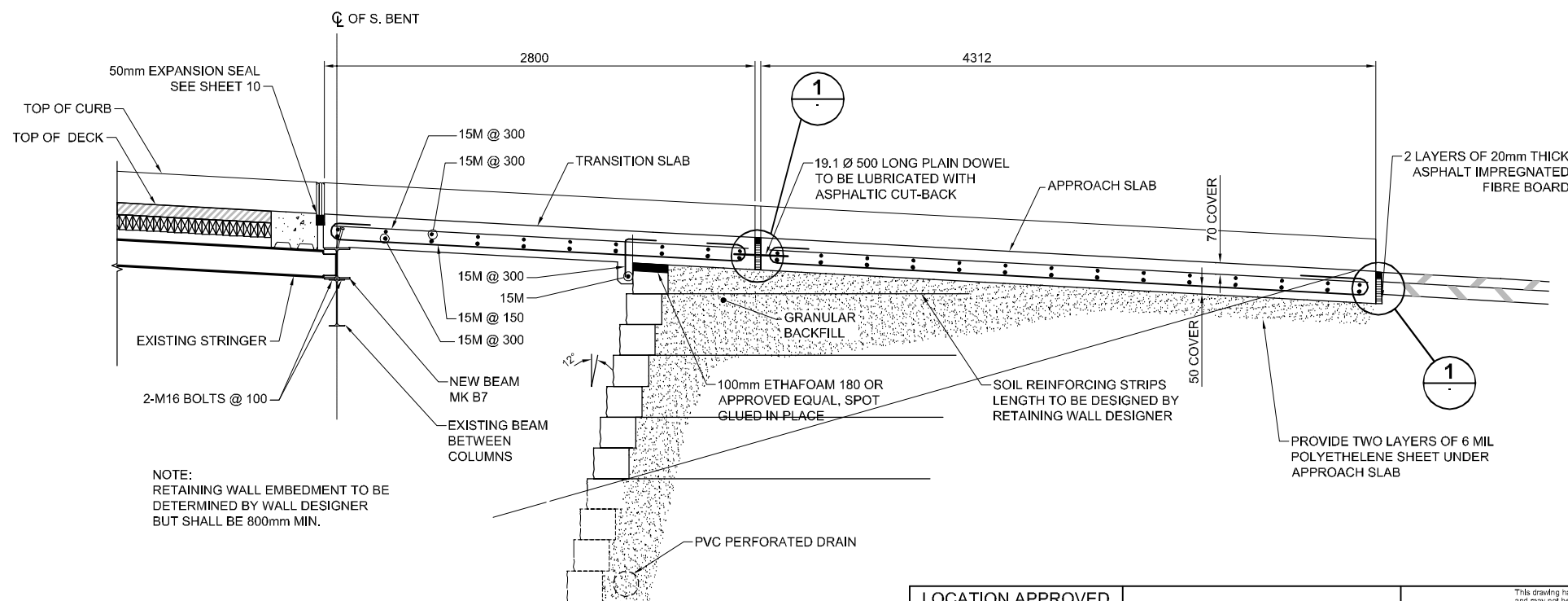
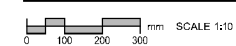


PLAN



DETAIL



SECTION



METRIC

WHOLE NUMBERS INDICATE MILLIMETRES
DECIMALIZED NUMBERS INDICATE METRES

LOCATION APPROVED UNDERGROUND STRUCTURES

SUPR. UG STRUCTURES _____ DATE _____
COMMITTEE _____

NOTE:
LOCATION OF UNDERGROUND STRUCTURES AS SHOWN ARE BASED ON THE BEST INFORMATION AVAILABLE, BUT NO GUARANTEE IS GIVEN THAT ALL EXISTING UTILITIES ARE SHOWN OR THAT THE GIVEN LOCATIONS ARE EXACT. CONFIRMATION OF EXISTENCE AND EXACT LOCATION OF ALL SERVICES MUST BE OBTAINED FROM THE INDIVIDUAL UTILITIES BEFORE PROCEEDING WITH CONSTRUCTION.

DESIGNED BY	MK	CHECKED BY	ARB
DRAWN BY	KC	APPROVED BY	EBL
HOR. SCALE	AS NOTED	RELEASED FOR CONSTRUCTION	
VERT. SCALE	AS NOTED	DATE	
NO.	ISSUED FOR TENDER	11/07/27	MSK
NO.	REVISIONS	YYMMDD	BY

This drawing has been prepared for the use of AECOM's client and may not be used, reproduced or relied upon by third parties, except as agreed by AECOM and its client, as required by law or for use by governmental reviewing agencies. AECOM accepts no responsibility, and denies any liability whatsoever, to any party that modifies this drawing without AECOM's express written consent. Do not scale this document. All measurements must be obtained from stated dimensions.

AECOM

DESIGNED BY: MK
CHECKED BY: ARB
DRAWN BY: KC
APPROVED BY: EBL
HOR. SCALE: AS NOTED
VERT. SCALE: AS NOTED
RELEASED FOR CONSTRUCTION
DATE: _____

PROFESSIONAL'S SEAL

ORIGINAL SIGNED BY
ANDREW BROMLEY
2011, 07, 28

CONSULTANT DRAWING NO.
60216082-S-302_RX.dwg

THE CITY OF WINNIPEG PUBLIC WORKS DEPARTMENT

ELM PARK PEDESTRIAN BRIDGE REHABILITATION

TRANSITION AND APPROACH SLABS

CITY DRAWING NUMBER: B131-11-13
SHEET: 09 OF 13
REV: 09

BID OPPORTUNITY NO. 632-2011

