

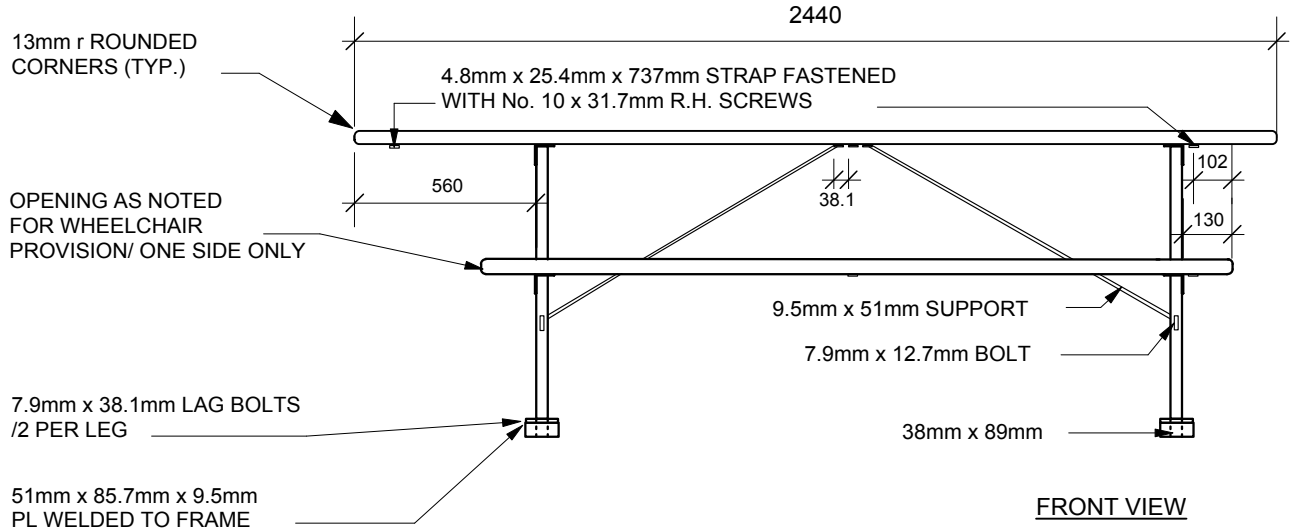
Product # 52501108

Drawing Title:

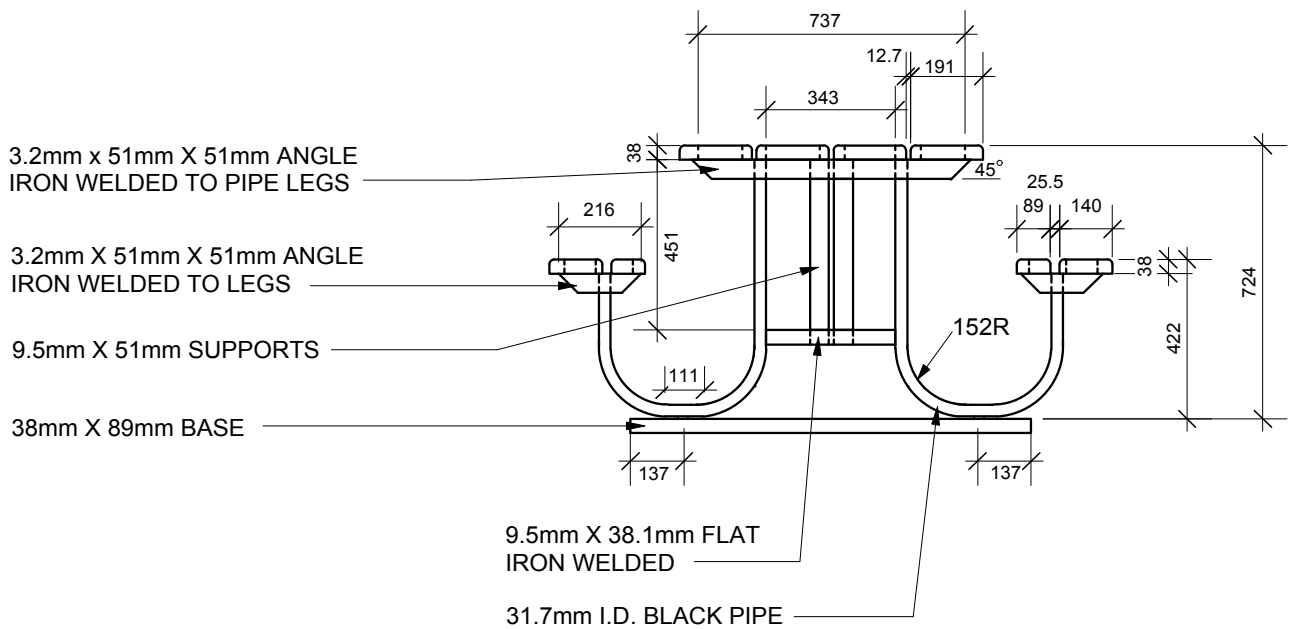
**TACHE STYLE WHEELCHAIR  
METAL FRAME PICNIC TABLE**

Drawing No:

**SCD-130A**



FRONT VIEW



END VIEW

MATERIALS:

WOOD - VERTICAL GRAIN CLEAR SITCA SPRUCE OR B.C. RED CEDAR.  
FINISH - SIKKENS CETOL No. 078 NATURAL  
METAL - GALVANIZED

NOTE:

ALL WOOD TO BE FASTENED TO ANGLE IRONS WITH 7.9mm X 38.1mm LAG BOLTS.

DIMENSIONS SHOWN ARE IN MILLIMETRES UNLESS OTHERWISE SPECIFIED

DATE: May 2011  
SCALE: N.T.S.  
DRAWN BY: SV

The City of Winnipeg  
Planning, Property and Development Department  
Parks, Waterways & Community Initiatives Division  
Unit 15 - 30 Fort Street, Winnipeg, MB, R3C 4X5

