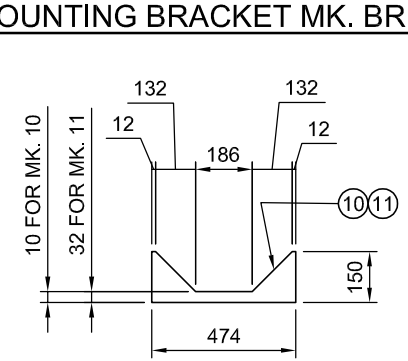
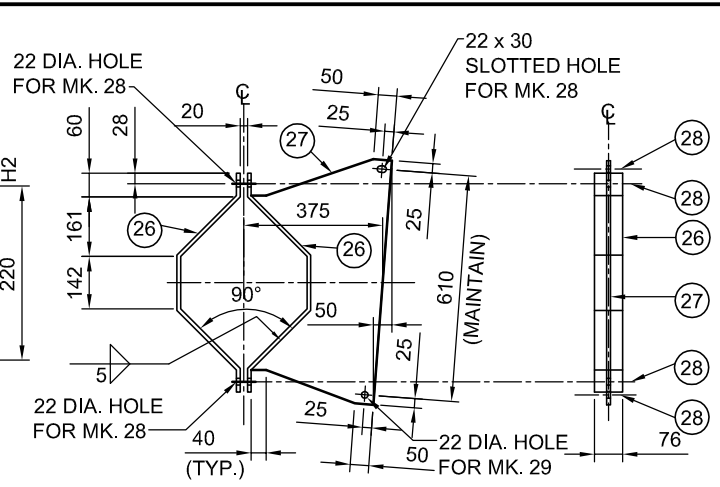
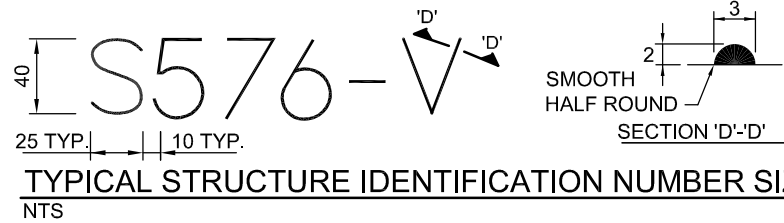
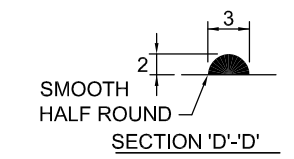


HANDHOLE-MARK H1 & H2
NTS



- GENERAL NOTES**
- DESIGN DATA
AASHTO STANDARD SPECIFICATIONS FOR STRUCTURAL SUPPORTS FOR HIGHWAY SIGNS, LUMINAIRES, AND TRAFFIC SIGNALS, 5TH EDITION, 2009.
DESIGN WIND LOAD = 1.44 kPa (30 PSF)
DESIGN ICE LOAD = 0.15 kPa (3 PSF)
 - ALL MATERIALS SHALL BE CSA G40.21 - 350W STRUCTURAL STEEL UNLESS OTHERWISE NOTED.
 - ALL MATERIALS EXCEPT STAINLESS STEEL AND ALUMINUM SHALL BE HOT-DIP GALVANIZED IN ACCORDANCE WITH CSA G164 TO A MIN. NET RETENTION OF 610 g/m²
 - ALL AREAS OF DAMAGED GALVANIZING SHALL BE REPAIRED WITH SELF-FLUXING LOW TEMPERATURE, ZINC BASED ALLOY ROD OR SPRAY-ON COATING CALLED "ZINGA".
 - SIGNS
ONE SIGN PANEL
SIZE 2743 x 1219 mm. SUPPLIED AND INSTALLED BY THE CITY OF WINNIPEG TRAFFIC SERVICES BRANCH.



BILL OF MATERIALS		
MK	QTY	DESCRIPTION
1	1	OCTAGONAL SHAFT 450 A/F x 12.7
2	1	OCTAGONAL ARM 350 A/F TO 200 A/F x 9.525
3	1	BASE PLATE 800 DIA. x 50 THICK (GR. 300W)
4	1	BACKUP STRIP 40 x 6 (FOR SHAFT)
5	1	BACKUP STRIP 40 x 6 (FOR ARM)
6	1	END PLATE 200 A/F OCTAGONAL 6 THICK
7	16	22 DIA.x100 LG. A325 BOLTS GALV. C/W NUT&WASHER
8	2	FLANGE PLATE 650 x 640 x 38 (GR. 300W)
9	2	SIDE GUSSET PLATE 20 x 640 x 300
10	1	TOP GUSSET PLATE 10 THICK
11	1	BOTTOM GUSSET PLATE 10 THICK
12	1	COVER PLATE 470 DIA x 10 THICK
13	2	OCTAGONAL INTERIOR GUSSET PLATE 8 THICK
		HANDHOLE MARK H1 (1 REQ'D.)
18	1	COVER PLATE 11 GA. x 160x 340 (A569)
19	1	REINFORCING RING 8 x 65 x 830
20	2	CLAMP BAR 6 x 40 x 180
21	2	10 DIA. x 140 BOLT S/S (TYPE 316)
22	1	GROUND STUD ASSEMBLY 10 DIA. x 40
		HANDHOLE MARK H2 (1REQ'D.)
23	1	COVER PLATE 11 GA. x 130 x 220 (A569)
24	1	REINFORCING RING 8 x 65 x 555
25	1	CLAMP BAR 6 x 40 x 150
26	2	CLAMP BAR 10 x 76 (LENGTH TO SUIT)
27	1	BRACKET PL. 10 THICK
28	2	3/4" DIA. x 3" A325 BOLT (GALV.)
29	2	3/4" DIA. x 2" S/S BOLT (TYPE 316)

- * NOTES:**
- MARK NO. 29 C/W NUT AND LOCKWASHER.
 - MARK NO. 20 & 25 C/W 8-DIA. PUNCHED 10 N.C. TAPPED AT THE CENTER OF PLATE.
 - MARK NO. 21 C/W CUP WASHER.
 - MARK NO. 22 C/W 2-10 DIA. HEX NUT, 2-TERMINAL WASHER. & 1-LOCKWASHER

B.M. ELEV.	DESIGNED BY CDW	 RELEASED FOR CONSTRUCTION ORIGINAL SIGNED BY B.A. NEIRINCK DATE 07/08/11		 STEEL OVERHEAD SIGN SUPPORT STRUCTURES - 2011 MAINTENANCE WORKS	CITY DRAWING NUMBER OHSS-11-12
	DRAWN BY APH				SHEET 12 OF 12
	CHECKED BY SSR				CONSULTANT DRAWING NUMBER
	APPROVED BY				STRUCTURE NO. S576 DETAILS
1 ISSUED FOR TENDER 07/08/11 CDW	HOR. SCALE AS SHOWN	CONSULTANT PROJECT NO. 11-4597			
NO. REVISIONS	DATE BY	VERTICAL AS SHOWN			