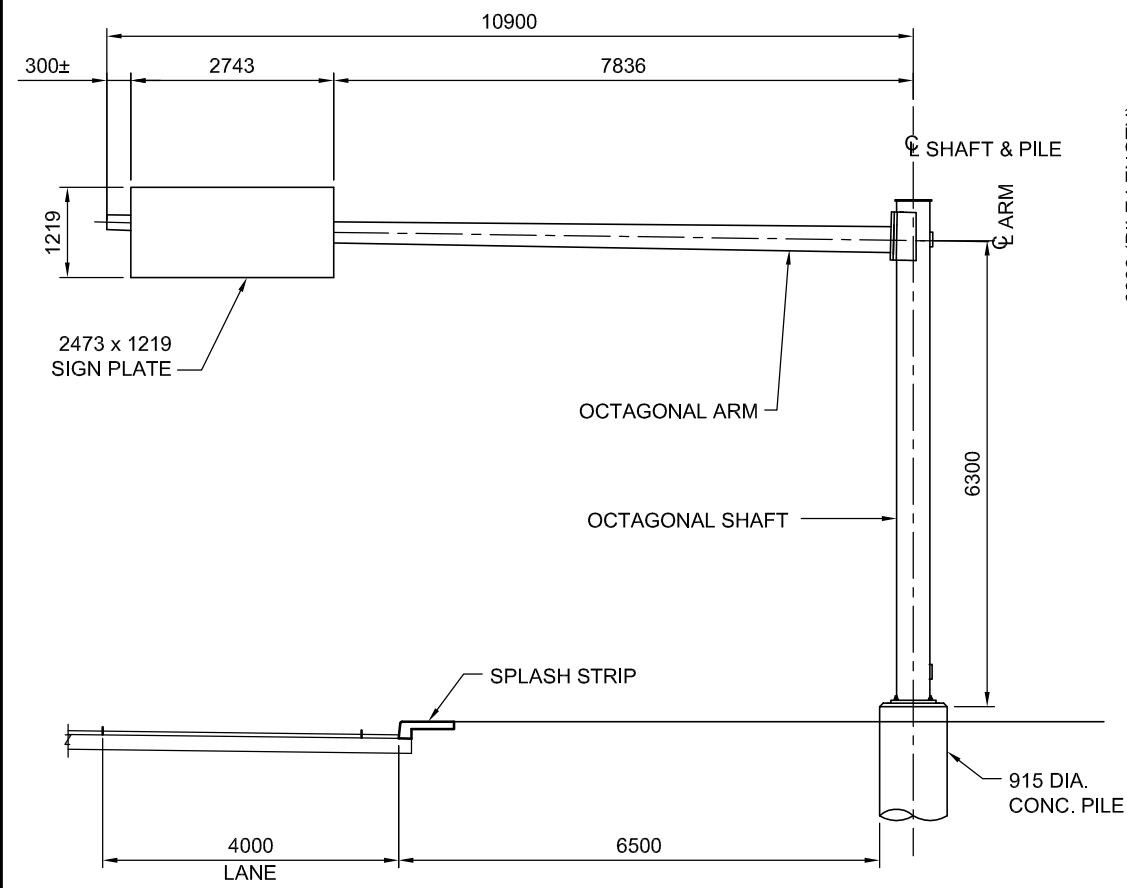
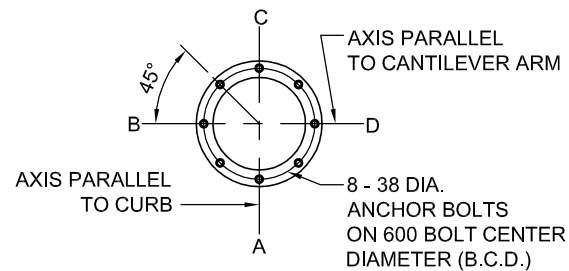


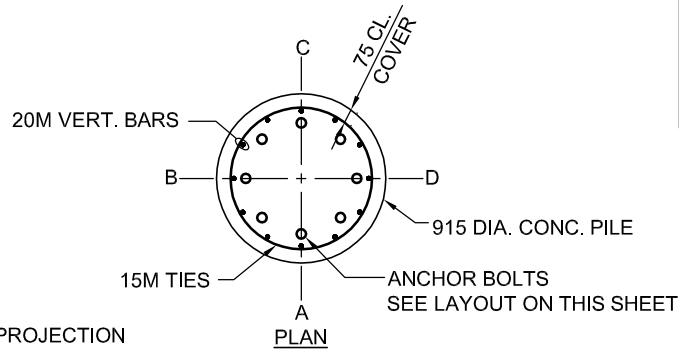
**SITE PLAN**  
1:1,000



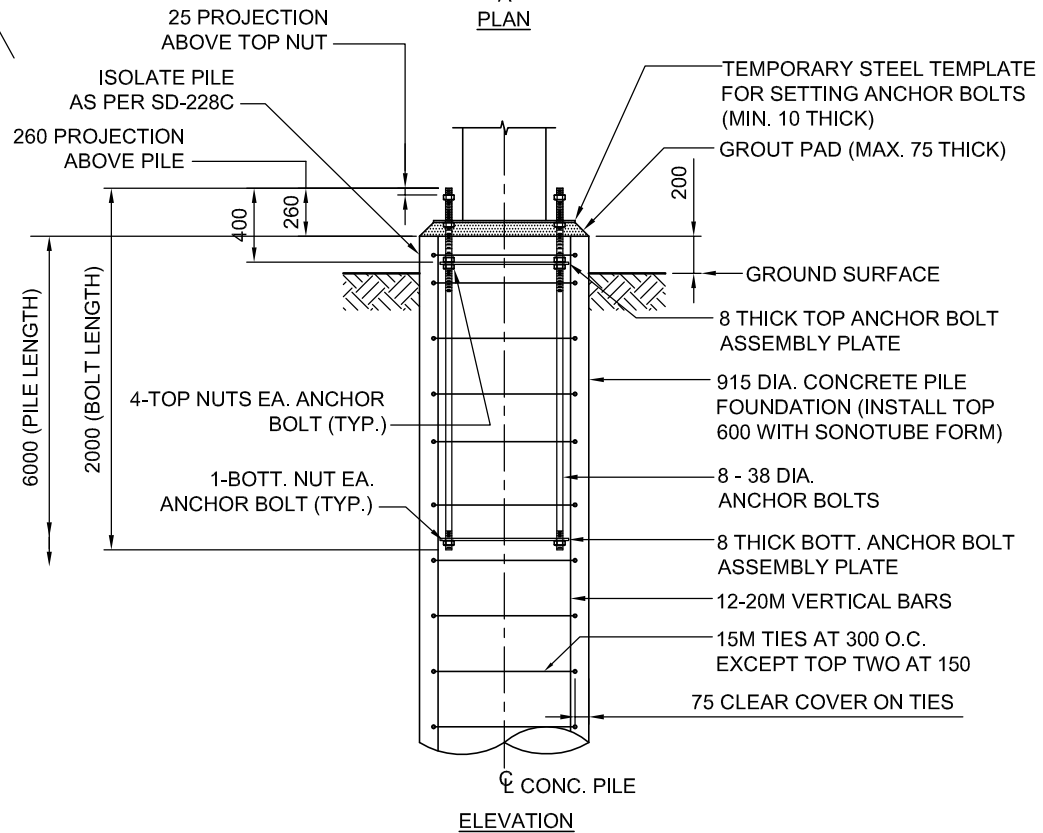
**SITE ELEVATION-LOOKING SOUTH**  
1: 100 OVERHEAD SIGN STRUCTURE NO. S576



**ANCHOR BOLTS LAYOUT**

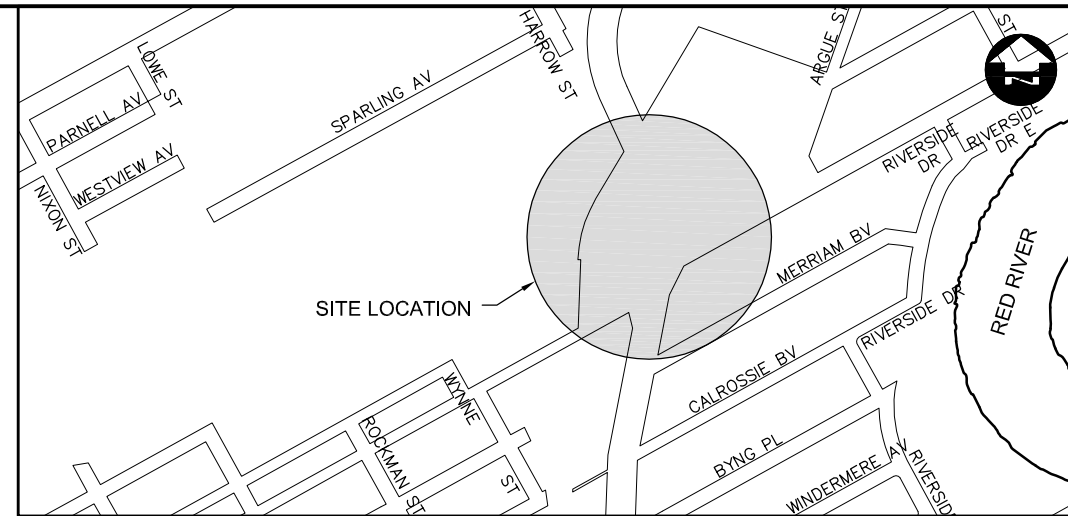


**A PLAN**



**ELEVATION**

**CONCRETE PILE FOUNDATION FOR S576**  
1:40



**LOCATION MAP**

**CONSTRUCTION NOTES**

- AFTER REMOVAL OF MEDIAN ALUMINUM BALANCED BARRIER, RENEW SPLASH STRIP FULL LENGTH OF GUARDRAIL IN ACCORDANCE WITH CW 3240.
- ALL DAMAGED GRASS AREAS SHALL BE SODDED IN ACCORDANCE WITH CW 3510.

**PILE CONSTRUCTION NOTES**

- REINFORCING STEEL**
  - CSA G30.18 GR. 400W
  - VERTICAL BARS FULL LENGTH OF PILE
  - HOT DIP GALVANIZED
- ANCHOR BOLTS**
  - CSA G40.21 GR. 300W
  - 8-38 DIA. x 2000 LG. ANCHOR BOLTS THREADED BOTH ENDS (560 TOP & 100 BOTT.)
  - EACH BOLT C/W 5 NUTS (1-BOTT. END 4-TOP END).
  - ANCHOR BOLTS CAGE ASSEMBLY HOT DIP GALVANIZED FULL LENGTH AFTER FABRICATION.
  - B.C.D.=BOLT CIRCLE DIAMETER TO CENTER OF BOLT GROUP.
- ANCHOR BOLTS SHALL BE ALIGNED WITH A TEMPORARY STEEL TEMPLATE. PLACEMENT OF ANCHOR BOLTS AND CONCRETE WITHOUT THE TEMPLATE WILL NOT BE PERMITTED.
- TOP 1.5 m OF PILE SHALL BE FORMED WITH A TABULAR FORM (SONOTUBE).
- CONTRACTOR SHALL REMOVE THE ANCHOR BOLT SETTING, NUTS AND FORM, FOLLOWING A MINIMUM 24 HOUR CONCRETE CURING PERIOD.
- CONCRETE MIX DESIGN**  
PROPORTIONING OF FINE AGGREGATE, COARSE AGGREGATE, CEMENT, WATER, AND AIR ENTRAINING AGENT SHALL BE SUCH AS YIELD CONCRETE HAVING THE REQUIRED STRENGTH AND WORKABILITY AS FOLLOWS:
  - CLASS OF EXPOSURE: S-1
  - MINIMUM COMPRESSIVE STRENGTH AT 56 DAYS = 35 MPa
  - MAXIMUM WATER/CEMENT RATIO = 0.4
  - AIR CONTENT: CATEGORY 2 PER TABLE 4 OF CSA A23.1-04 (4-7%)
  - CEMENT - TYPE HS OR HSb, HIGH SULPHATE-RESISTANT.

B.M. ELEV.	DESIGNED BY CDW			
	DRAWN BY APH			
	CHECKED BY SSR			
	APPROVED BY			
	HOR. SCALE AS SHOWN	RELEASED FOR CONSTRUCTION	CONSULTANT PROJECT NO. 11-4597	STEEL OVERHEAD SIGN SUPPORT STRUCTURE - 2011 MAINTENANCE WORKS SHEET 11 OF 12
	VERTICAL SCALE AS SHOWN	ORIGINAL SIGNED BY B.A. NEIRINCK	DATE 07/08/11	
1	ISSUED FOR TENDER	07/08/11	CDW	
NO.	REVISIONS	DATE	BY	DATE