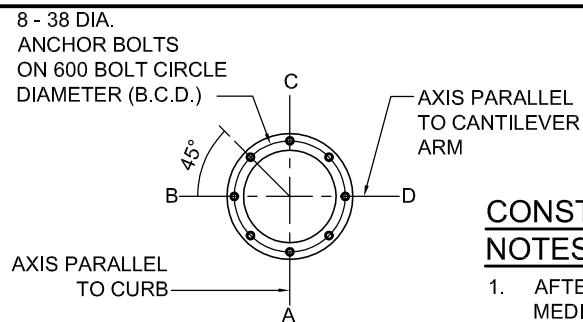
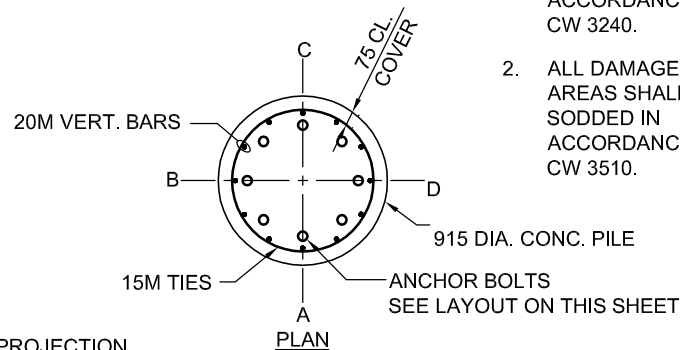


**SITE PLAN**  
1:1,000



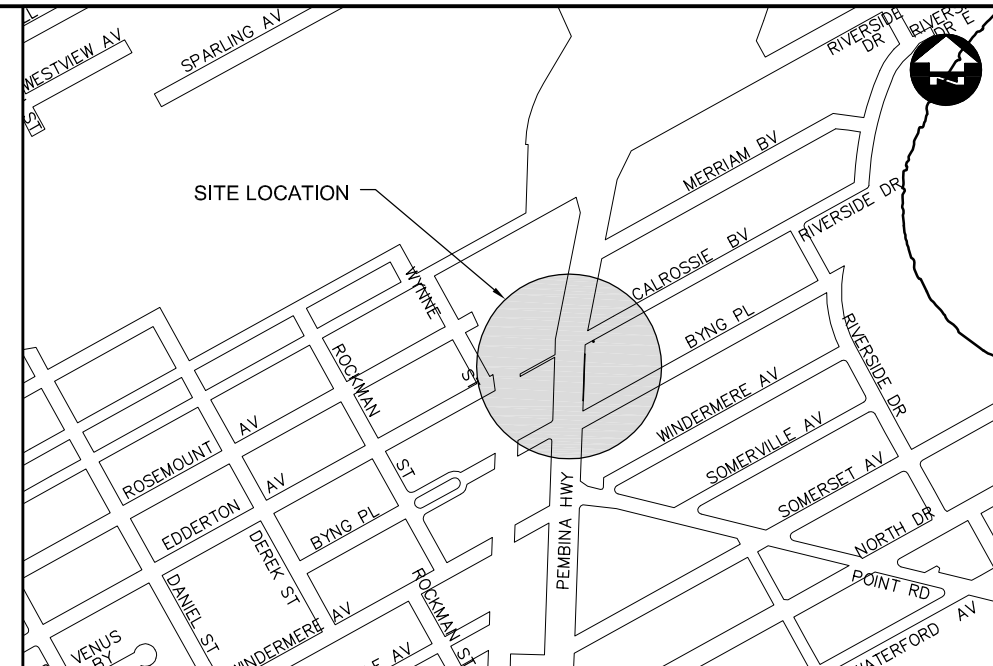
**ANCHOR BOLTS LAYOUT**



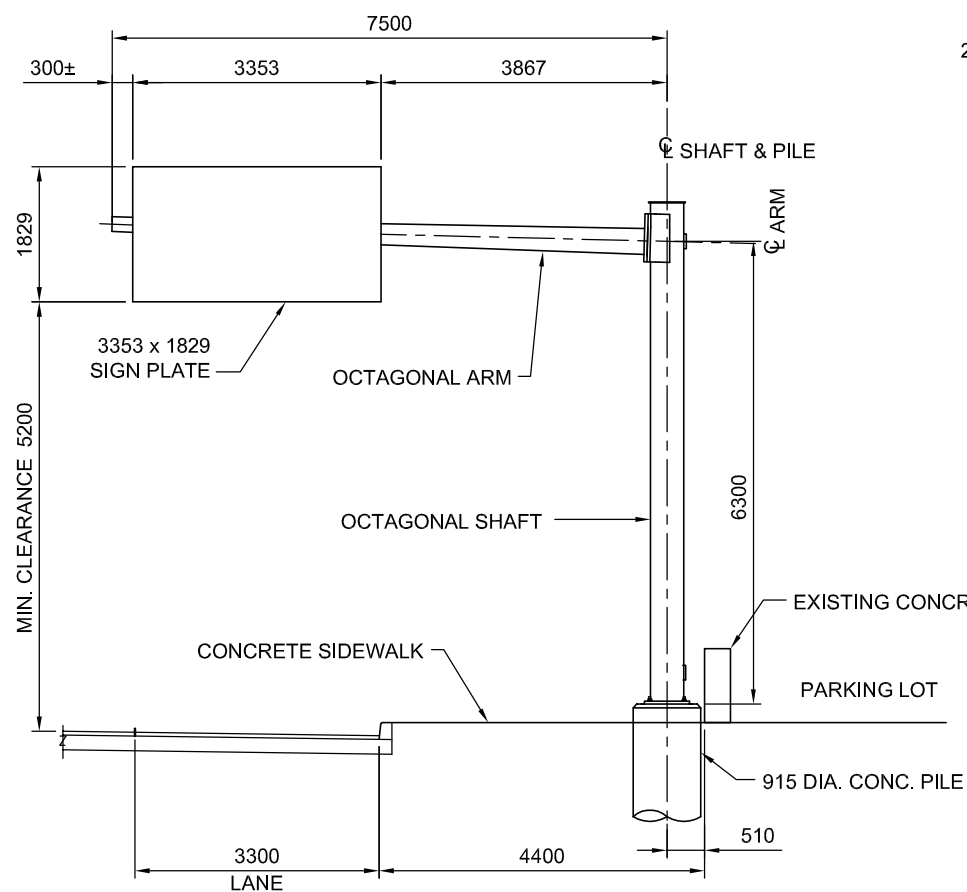
**PLAN**

**CONSTRUCTION NOTES**

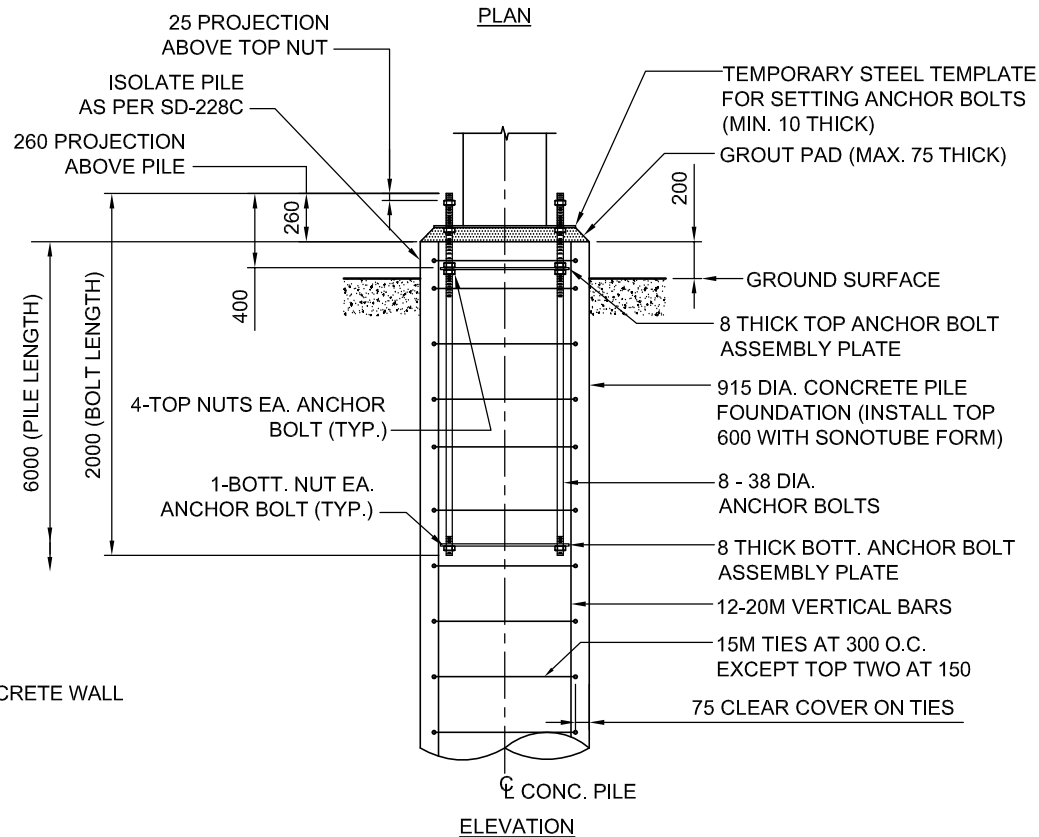
1. AFTER REMOVAL OF MEDIAN ALUMINUM BALANCED BARRIER, RENEW SPLASH STRIP FULL LENGTH OF GUARDRAIL IN ACCORDANCE WITH CW 3240.
2. ALL DAMAGED GRASS AREAS SHALL BE SODDED IN ACCORDANCE WITH CW 3510.



**LOCATION MAP**



**SITE ELEVATION-LOOKING NORTH**  
1: 100 OVERHEAD SIGN STRUCTURE NO. S572



**ELEVATION**

**CONCRETE PILE FOUNDATION FOR S572**  
1:40

**PILE CONSTRUCTION NOTES**

1. **REINFORCING STEEL**
  - CSA G30.18 GR. 400W
  - VERTICAL BARS FULL LENGTH OF PILE
  - HOT DIP GALVANIZED
2. **ANCHOR BOLTS**
  - CSA G40.21 GR. 300W
  - 8-38 DIA. x 2000 LG. ANCHOR BOLTS THREADED BOTH ENDS (560 TOP & 100 BOTT.)
  - EACH BOLT C/W 5 NUTS (1-BOTT. END 4-TOP END).
  - ANCHOR BOLTS CAGE ASSEMBLY HOT DIP GALVANIZED FULL LENGTH AFTER FABRICATION.
  - B.C.D.=BOLT CIRCLE DIAMETER TO CENTER OF BOLT GROUP.
3. ANCHOR BOLTS SHALL BE ALIGNED WITH A TEMPORARY STEEL TEMPLATE. PLACEMENT OF ANCHOR BOLTS AND CONCRETE WITHOUT THE TEMPLATE WILL NOT BE PERMITTED.
4. TOP 1.5 m OF PILE SHALL BE FORMED WITH A TABULAR FORM (SONOTUBE).
5. CONTRACTOR SHALL REMOVE THE ANCHOR BOLT SETTING, NUTS AND FORM, FOLLOWING A MINIMUM 24 HOUR CONCRETE CURING PERIOD.
6. **CONCRETE MIX DESIGN**  
PROPORTIONING OF FINE AGGREGATE, COARSE AGGREGATE, CEMENT, WATER, AND AIR ENTRAINING AGENT SHALL BE SUCH AS YIELD CONCRETE HAVING THE REQUIRED STRENGTH AND WORKABILITY AS FOLLOWS:
  - i) CLASS OF EXPOSURE: S-1
  - ii) MINIMUM COMPRESSIVE STRENGTH AT 56 DAYS = 35 MPa
  - iii) MAXIMUM WATER/CEMENT RATIO = 0.4
  - iv) AIR CONTENT: CATEGORY 2 PER TABLE 4 OF CSA A23.1-04 (4-7%)
  - v) CEMENT - TYPE HS OR Hsb, HIGH SULPHATE-RESISTANT.

B.M. ELEV.	DESIGNED BY CDW				CITY DRAWING NUMBER OHSS-11-09 SHEET 9 OF 12 CONSULTANT DRAWING NUMBER
	DRAWN BY APH				
	CHECKED BY SSR				
	APPROVED BY				
	HOR. SCALE AS SHOWN	RELEASED FOR CONSTRUCTION	CONSULTANT PROJECT NO. 11-4597	STEEL OVERHEAD SIGN SUPPORT STRUCTURES - 2011 MAINTENANCE WORKS	
	VERTICAL AS SHOWN	ORIGINAL SIGNED BY B.A. NEIRINCK	DATE 07/08/11	S572 PEMBINA HIGHWAY N/B, SOUTH OF CALROSSIE BOULEVARD	
1 ISSUED FOR TENDER	07/08/11 CDW				
NO. REVISIONS	DATE BY				