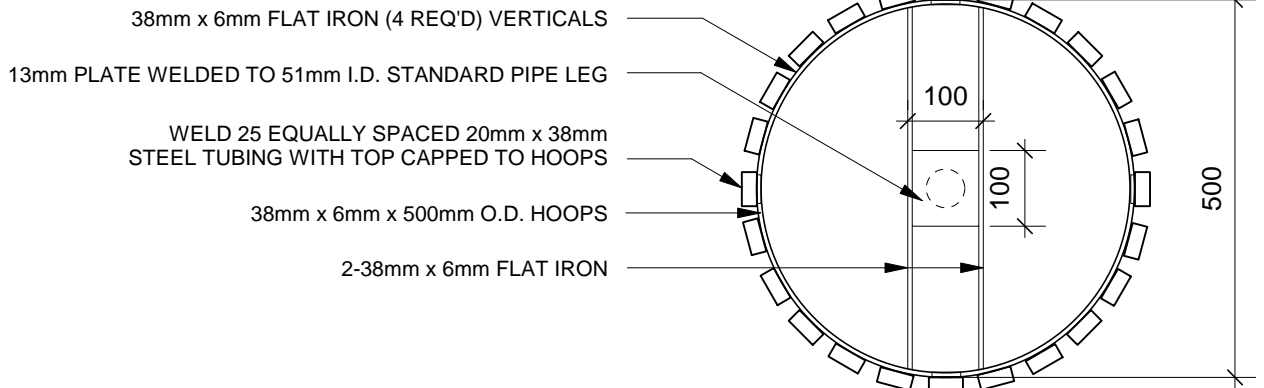


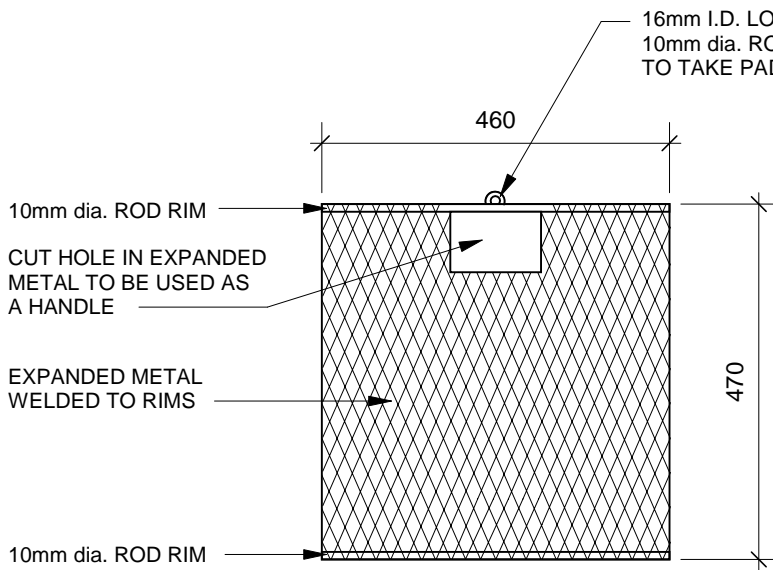
TITLE

WASTE RECEPTACLE METAL SLAT TYPE

SCD-119



PLAN

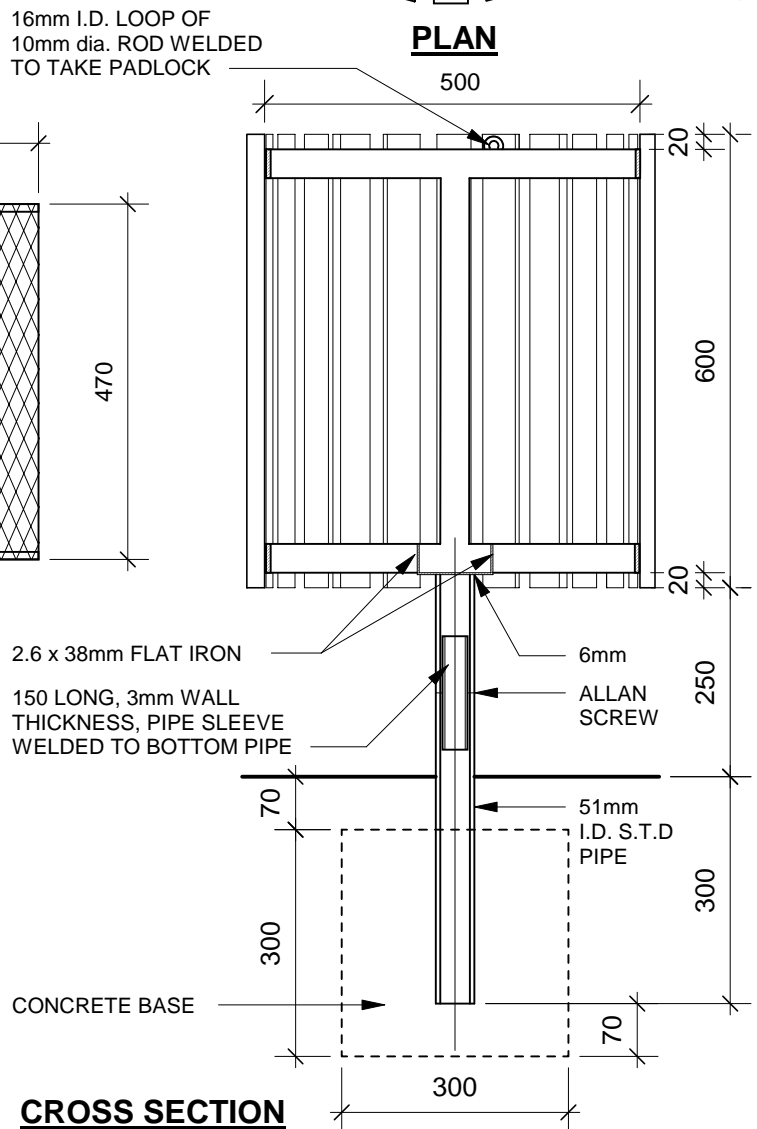


METAL BASKET

NOTE:

- METAL SLATS SHALL BE PRIMED WITH RUSTOLEUM No. 796, FINISH SHALL BE METAL PAINT, TO MATCH SPECIFIED BENCH COLOUR.
- METAL SHALL BE PRIMED WITH RUSTOLEUM No. 769, FINISH SHALL BE SAPOLIN BLACK WROUGHT FINISH.
- ALL DIMENSIONS ARE IN MILLIMETERS, EXCEPT WHERE NOTED.

ALL DIMENSIONS SHOWN ARE IN MILLIMETRES



CROSS SECTION

NOT TO SCALE
DATE : AUG 30, 2002
DRAWN BY : SV / VC

THE CITY OF WINNIPEG
Planning, Property and Development Department
Planning and Land Use Division
Unit 15 - 10 Fort Street, Winnipeg, MB, R3C 4X5

