

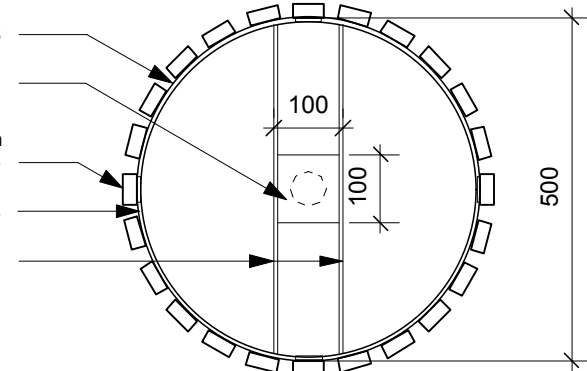
Drawing Title:

Drawing No:

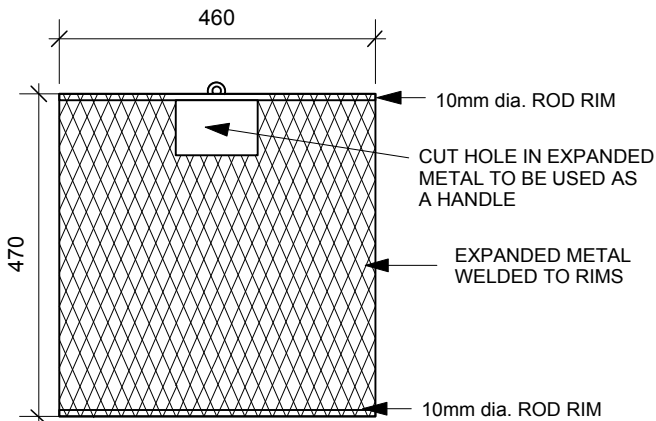
WASTE RECEPTACLE GALVANIZED METAL SLAT TYPE

SCD-119 A

- 38mm x 6mm FLAT IRON (4 REQ'D) VERTICALS
- 13mm PLATE WELDED TO 51mm I.D. STANDARD PIPE LEG
- WELD 25 EQUALLY SPACED 20mm x 38mm STEEL TUBING WITH TOP CAPPED TO HOOPS
- 38mm x 6mm x 500mm O.D. HOOPS
- 2-38mm x 6mm FLAT IRON



PLAN



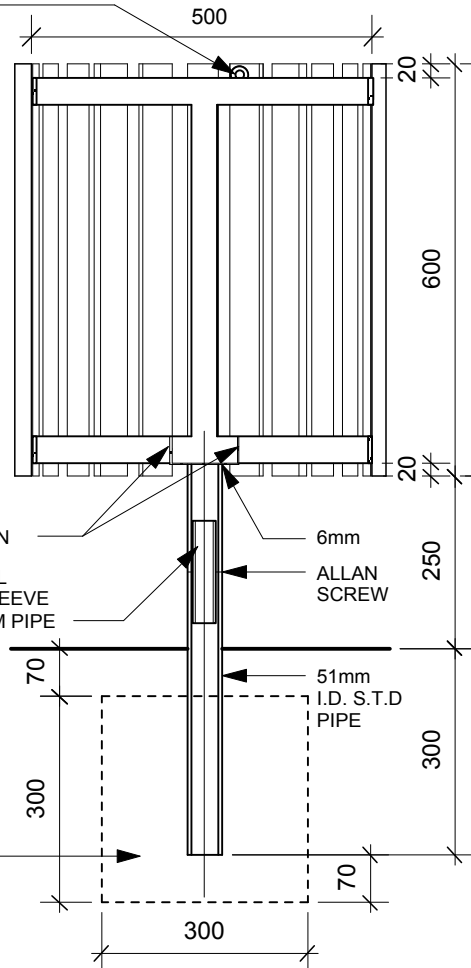
WIRE BASKET:

Product # 52501058

NOTE:

- METAL SLATS TO BE HOT DIPPED GALVANIZED
- ALL DIMENSIONS ARE IN MILLIMETERS, EXCEPT WHERE NOTED.

16mm I.D. LOOP OF 10mm dia. ROD WELDED TO TAKE PADLOCK



CROSS SECTION

Metal Slat WR: Product # 52501062

DIMENSIONS SHOWN ARE IN MILLIMETRES UNLESS OTHERWISE SPECIFIED

DATE: April, 2011
 SCALE: N.T.S.
 DRAWN BY: IL

The City of Winnipeg
 Planning, Property and Development Department
 Planning and Land Use Division
 Unit 15 - 30 Fort Street, Winnipeg, MB, R3C 4X5

