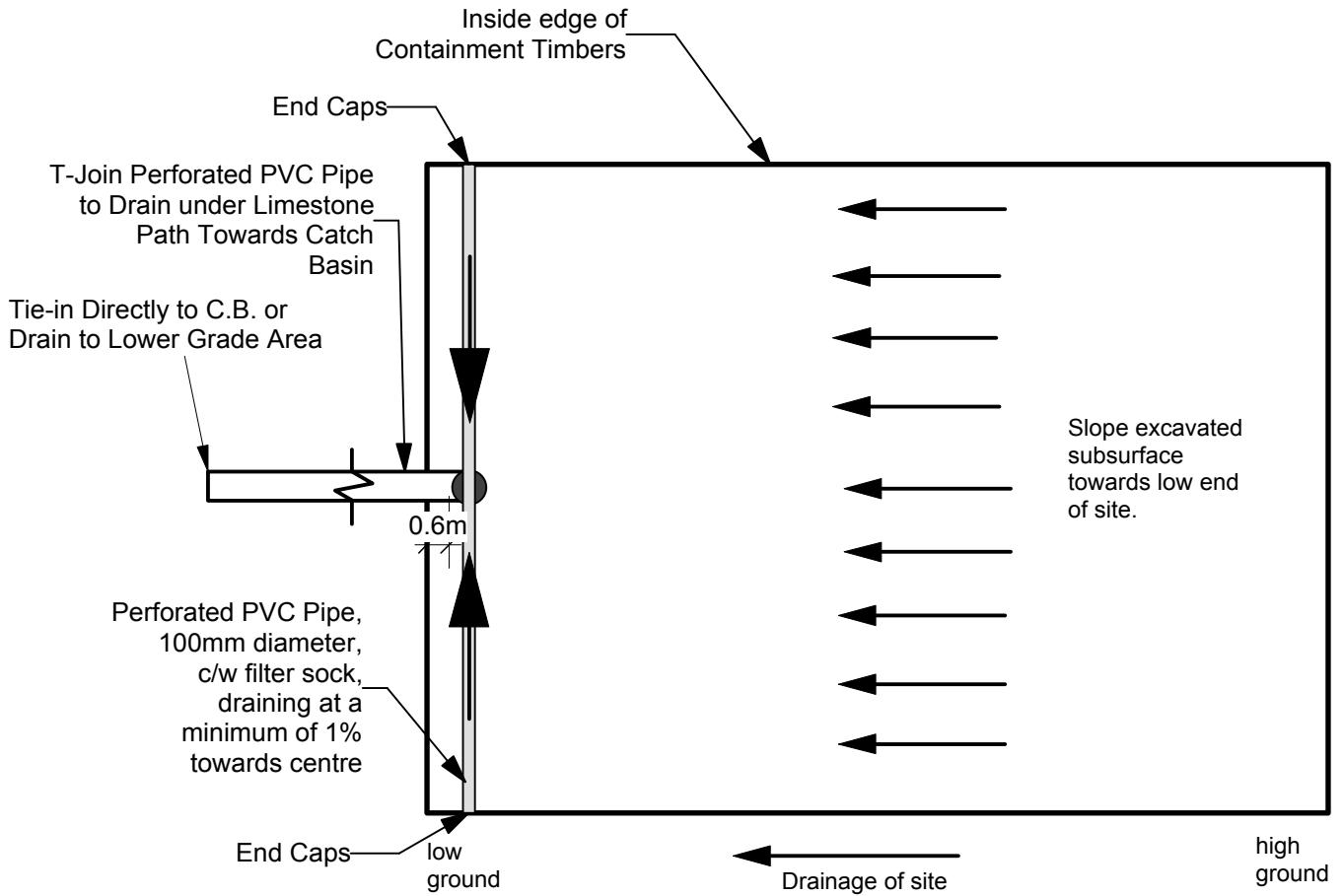
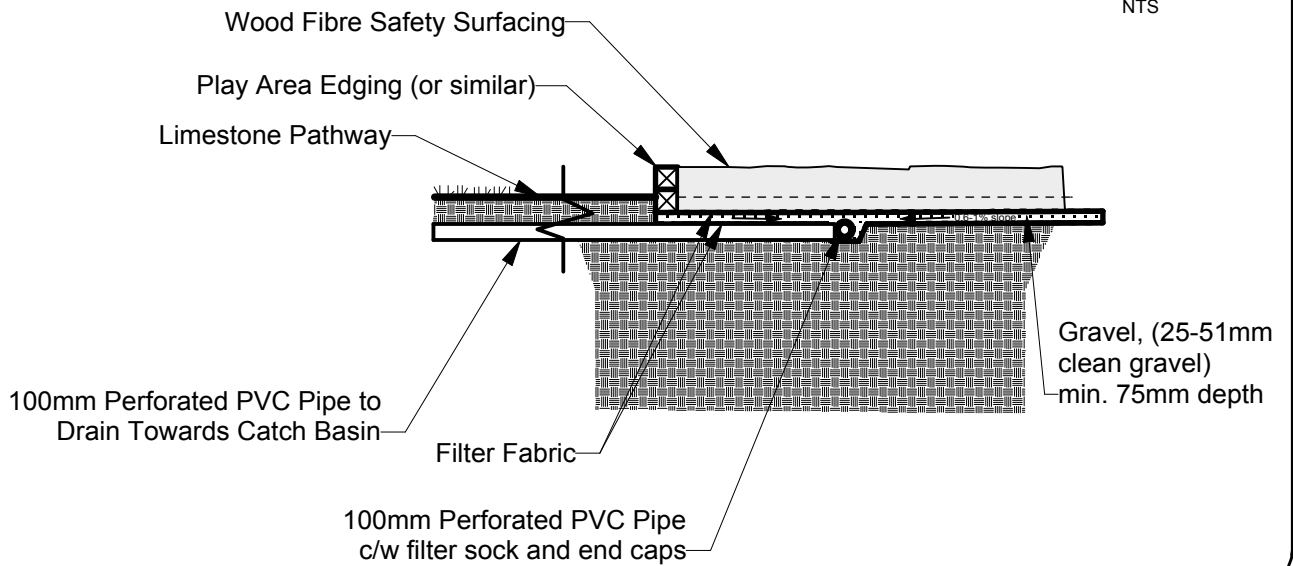


Wood Fibre Safety Surfacing Drainage Diagram

SCD 650a



Plan
NTS



Section
NTS

Drawn By: SP
Date: Jan 2009