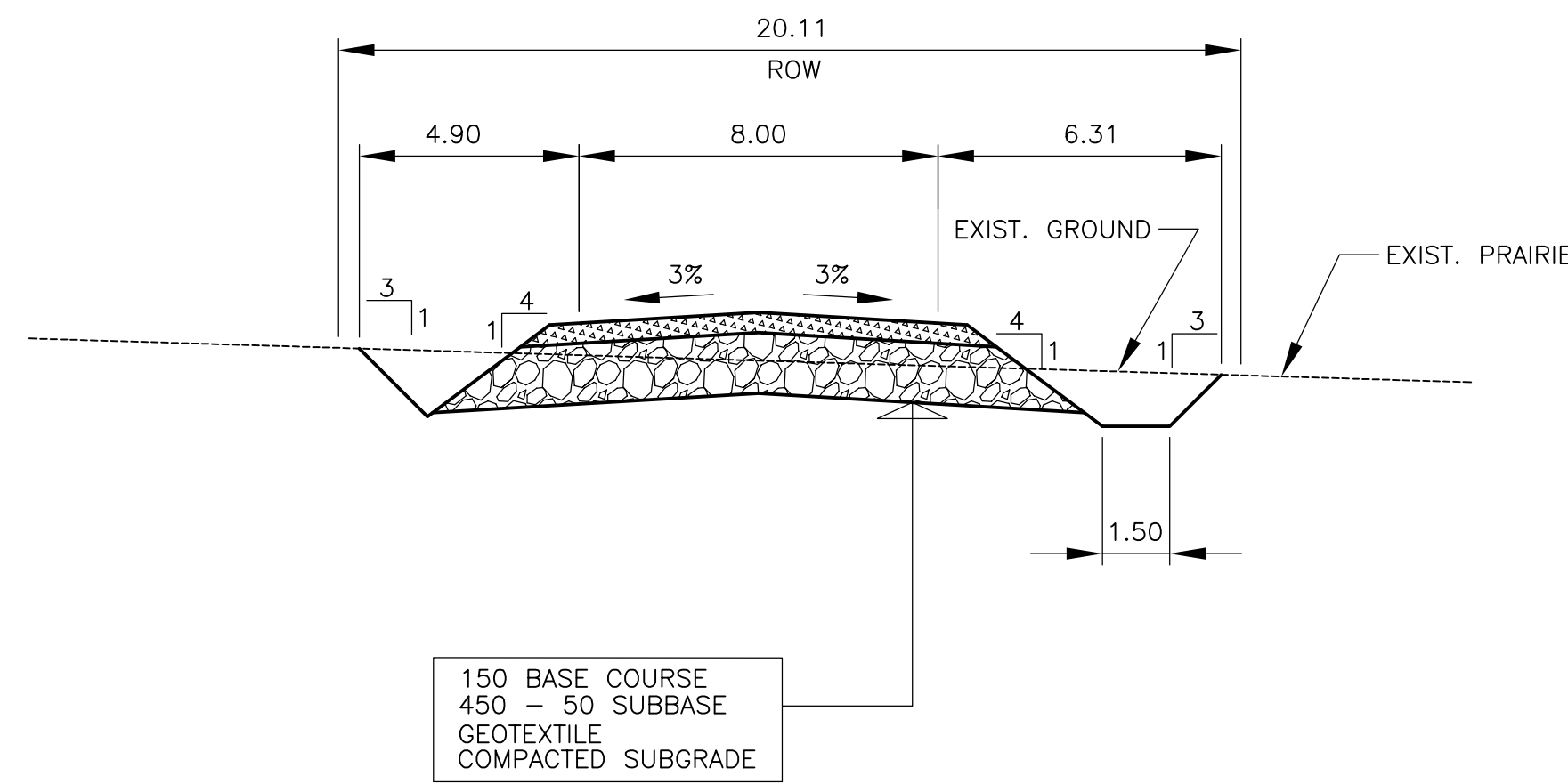


**1** WAYERLEY STREET TYPICAL SECTION  
 HORZ. 1:150 VERT. 1:50



**2** WARWICK AVENUE TYPICAL SECTION  
 HORZ. 1:150 VERT. 1:50



LOCATION APPROVED UNDERGROUND STRUCTURES	
SUPV. U/G STRUCTURES COMMITTEE	DATE
NOTE: LOCATION OF UNDERGROUND STRUCTURES AS SHOWN ARE BASED ON THE BEST INFORMATION AVAILABLE. BUT NO GUARANTEE IS GIVEN THAT ALL EXISTING UTILITIES ARE SHOWN OR THAT THE GIVEN LOCATIONS ARE EXACT. CONFIRMATION OF EXISTENCE AND EXACT LOCATION OF ALL SERVICES MUST BE OBTAINED FROM THE INDIVIDUAL UTILITIES BEFORE PROCEEDING WITH CONSTRUCTION.	

B.M. CITY OF WINNIPEG 82-024 ELEV. 232.259m			
B	ADDENDUM No.1 - GENERAL REVISIONS	11.05.24	BDK
A	ISSUED FOR TENDER	11.05.13	
NO.	REVISIONS	DATE	BY

<b>WARDROP</b> Engineering Inc.	
DESIGNED BY: BGD	CHECKED BY:
DRAWN BY: TRS	APPROVED BY:
HOR. SCALE: 1 : 150	RELEASED FOR CONSTRUCTION
VERTICAL: 1 : 50	DATE
DATE: 09.11.10	DATE:

**PRELIMINARY DRAWING**  
 NOT TO BE USED FOR CONSTRUCTION  
 CONSULTANT DRAWING NO. 0800040100-DWG-C1009-A

**THE CITY OF WINNIPEG**  
 DEVELOPMENT AGREEMENT No. AG 22/07

**WAYERLEY STREET TWINNING AND ASSOCIATED WORKS**

CITY DRAWING NUMBER  
 SHEET **16** OF **22**  
**C0016**