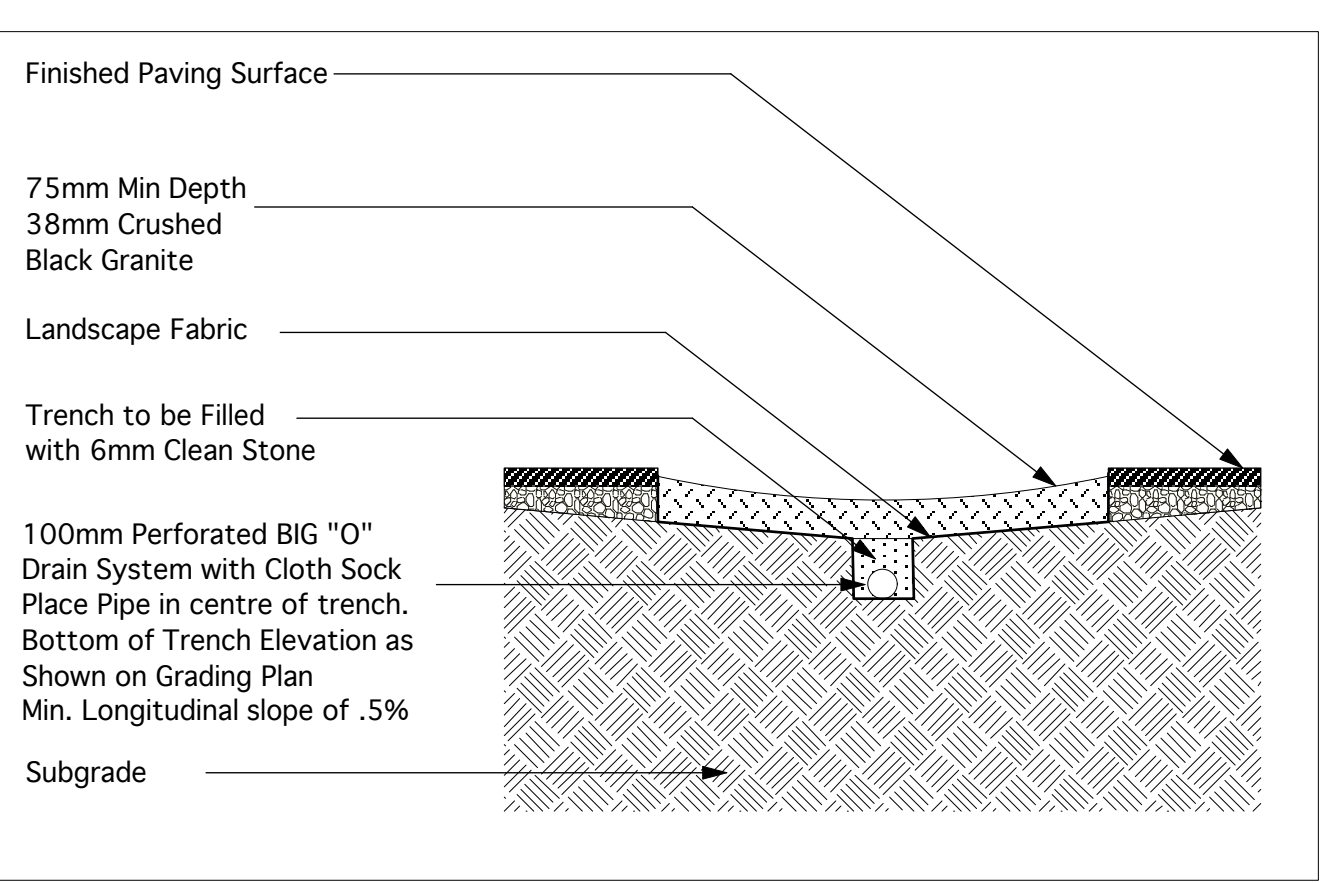
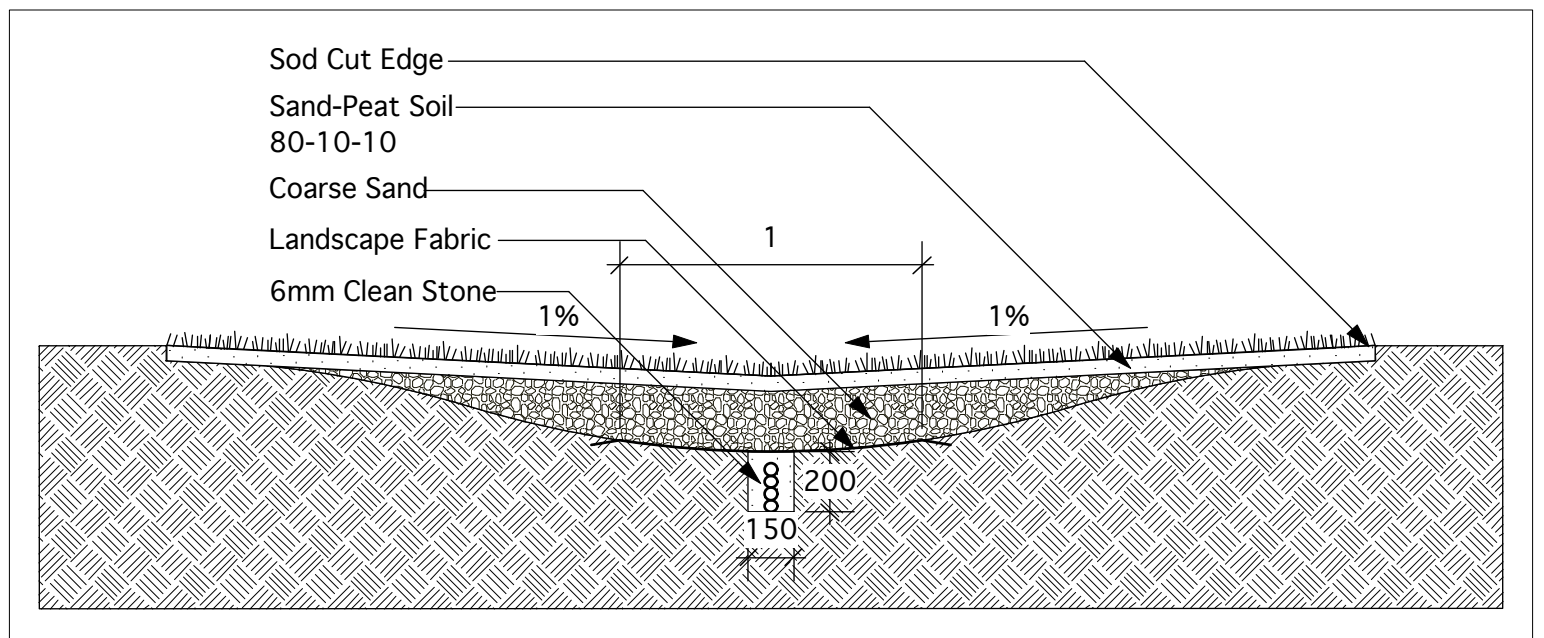


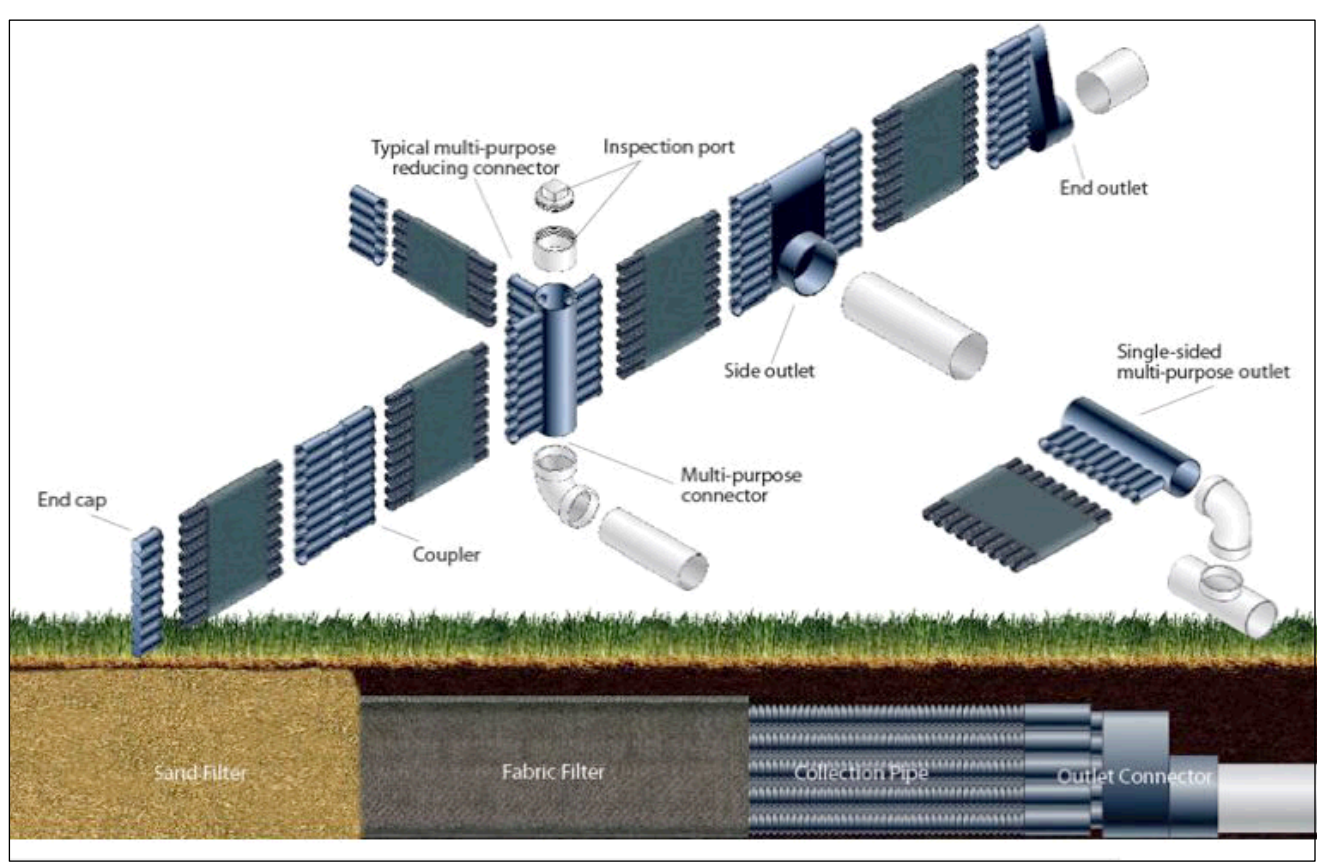
1 Multiflow Trench Detail
L14 1:20



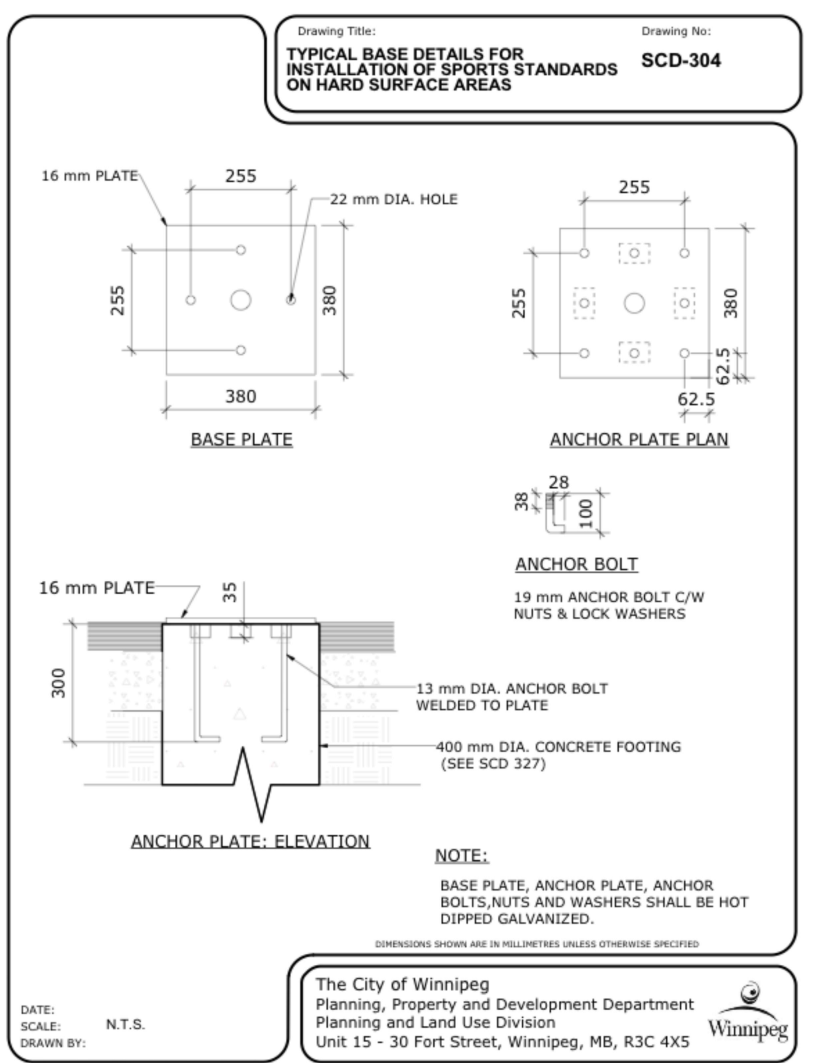
4 Swale Section
L14 1:25



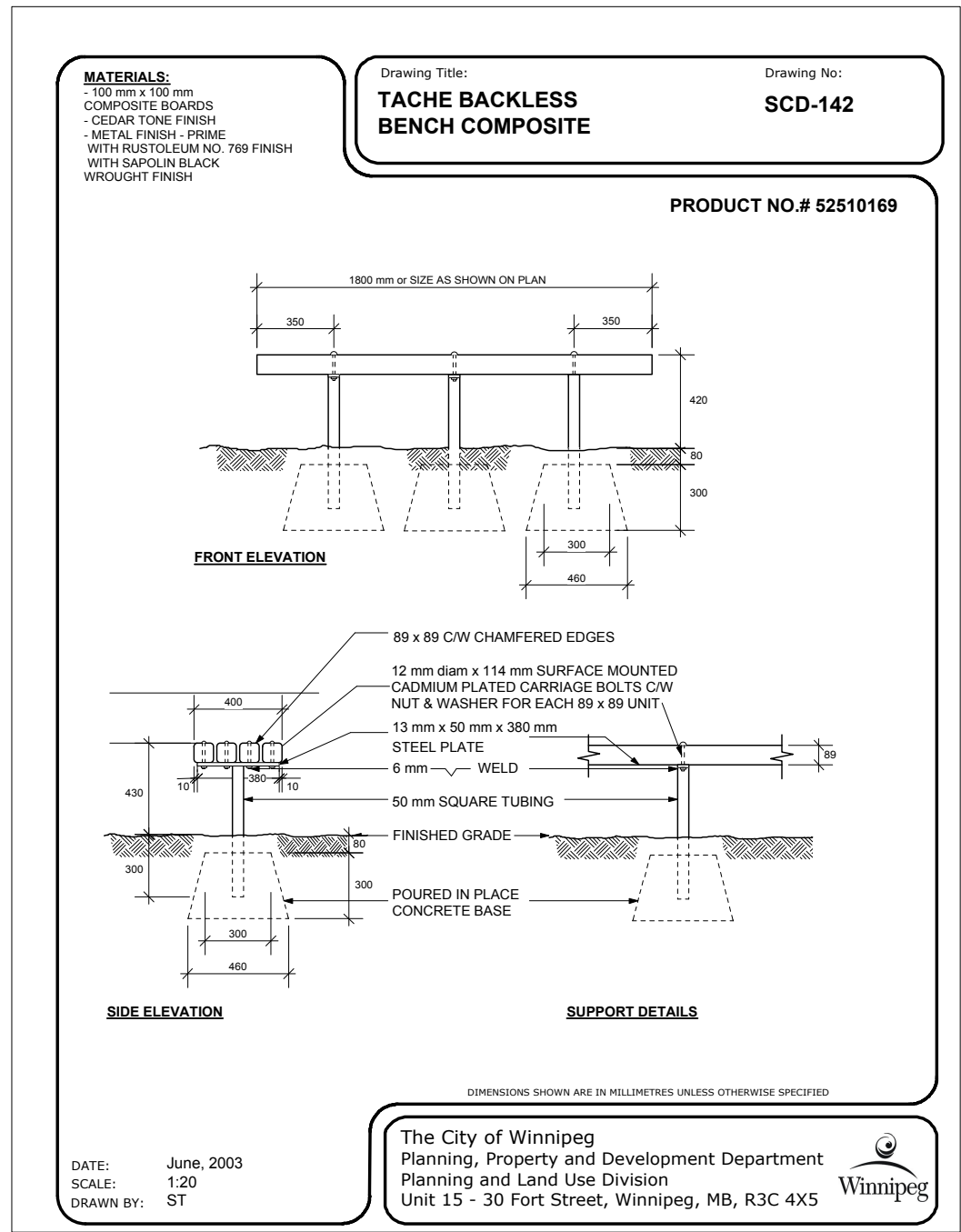
2 Swale Section
L14 1:25



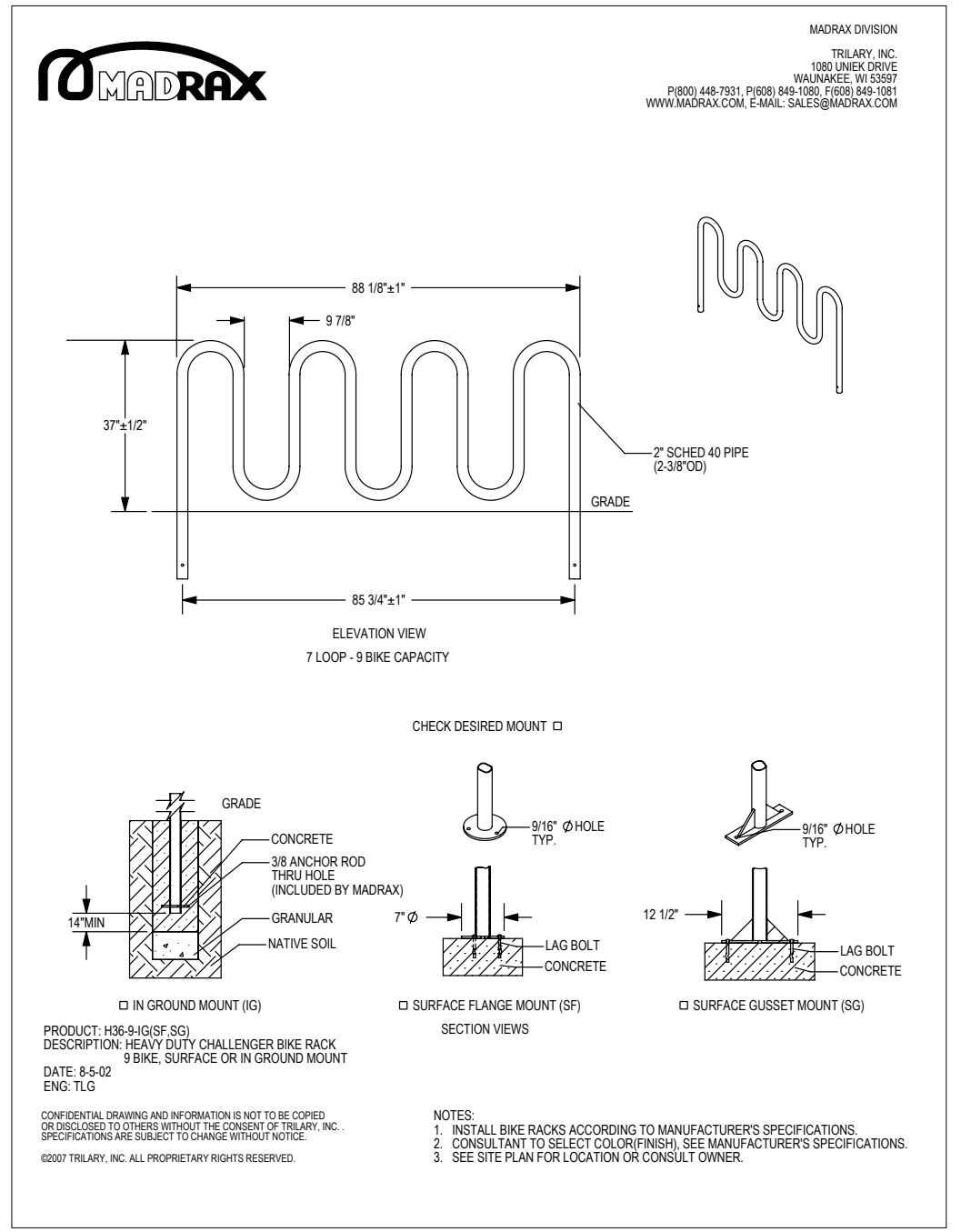
3 Multi-Flow Detail
L14 NTS



7 Tennis Post Base Detail
L14 NTS



5 Bench Detail
L14 NTS



6 Bike Rack Detail
L14 NTS

NOTES:
Location of underground structures as shown are based on the best information available but no guarantee is given that all existing utilities are shown or that the given locations are exact. Confirmation of existence and exact location of all services must be obtained from the individual utilities before proceeding with construction.

DO NOT SCALE - DRAWING PLOT MAY NOT BE AT 100%

8	RELEASED FOR CONSTRUCTION	DATE: XX Month, 20XX
7		
6		
5		
4		
3		
2		
1		
NO.	REVISION	DATE BY



PROJECT
BCI II - OLD KILDONAN WARD
RENOVATION OF SPORT COURTS

DRAWN BY	CL	DATE	JUNE 16, 2011
APPROVED BY	DW	SCALE	As Noted

DRAINAGE DETAILS

PROJECT NO.	SHEET NO.	REVISION NO.
1017_GC	L14	0