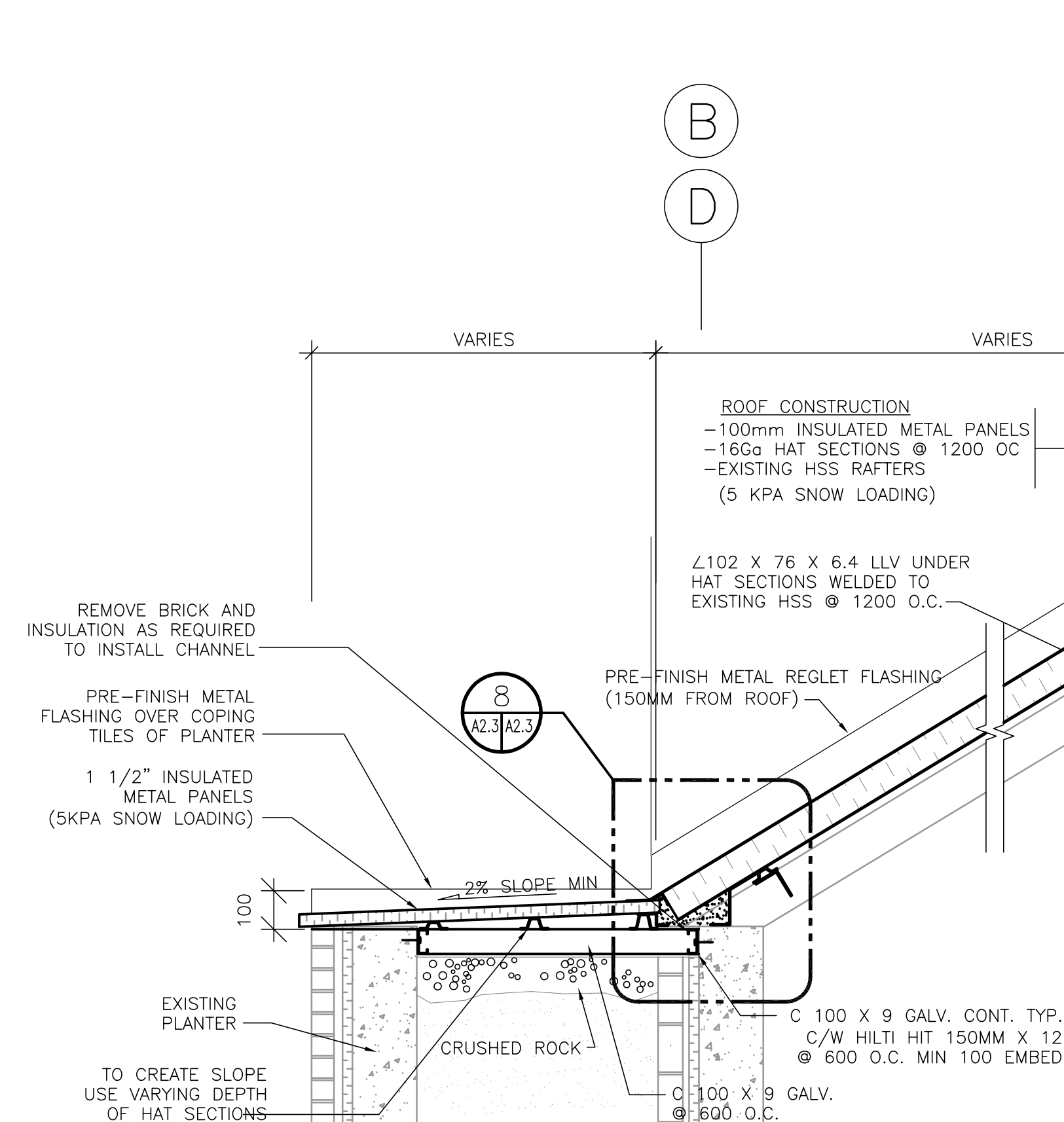
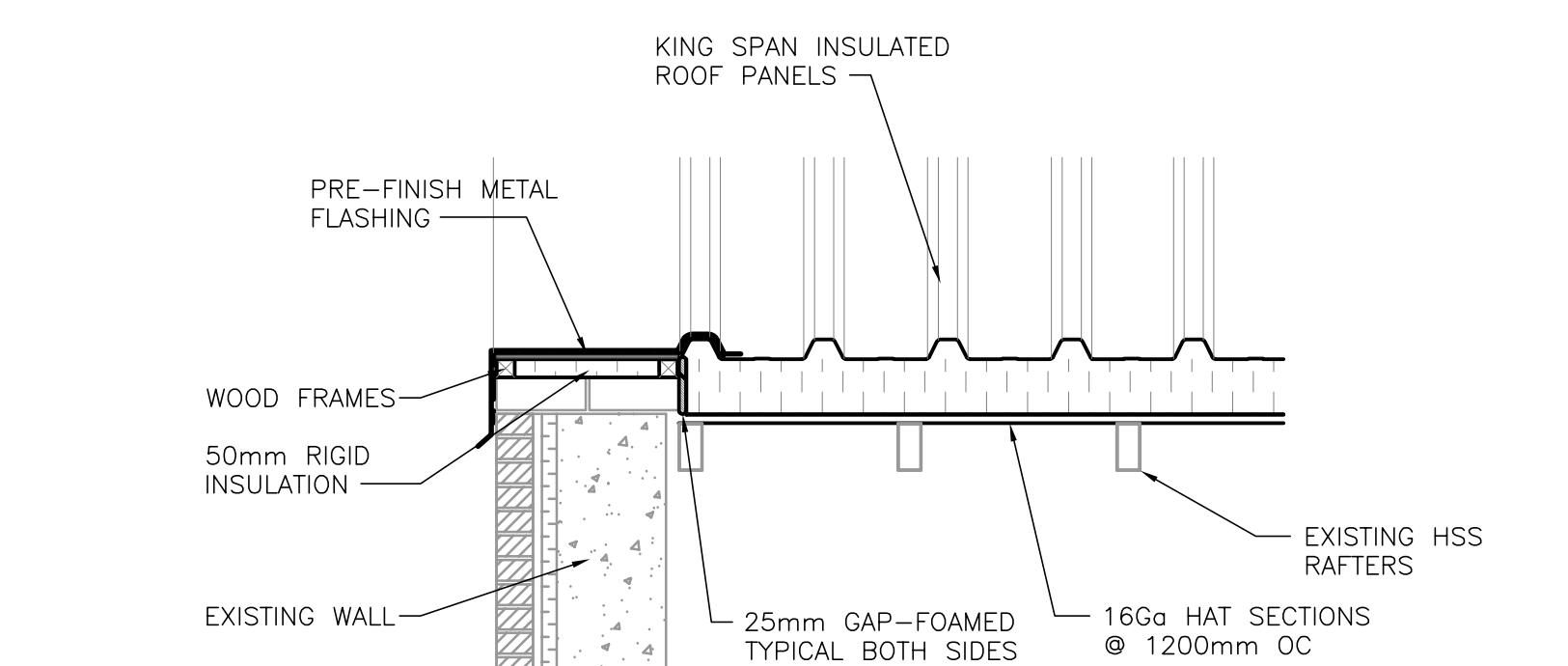


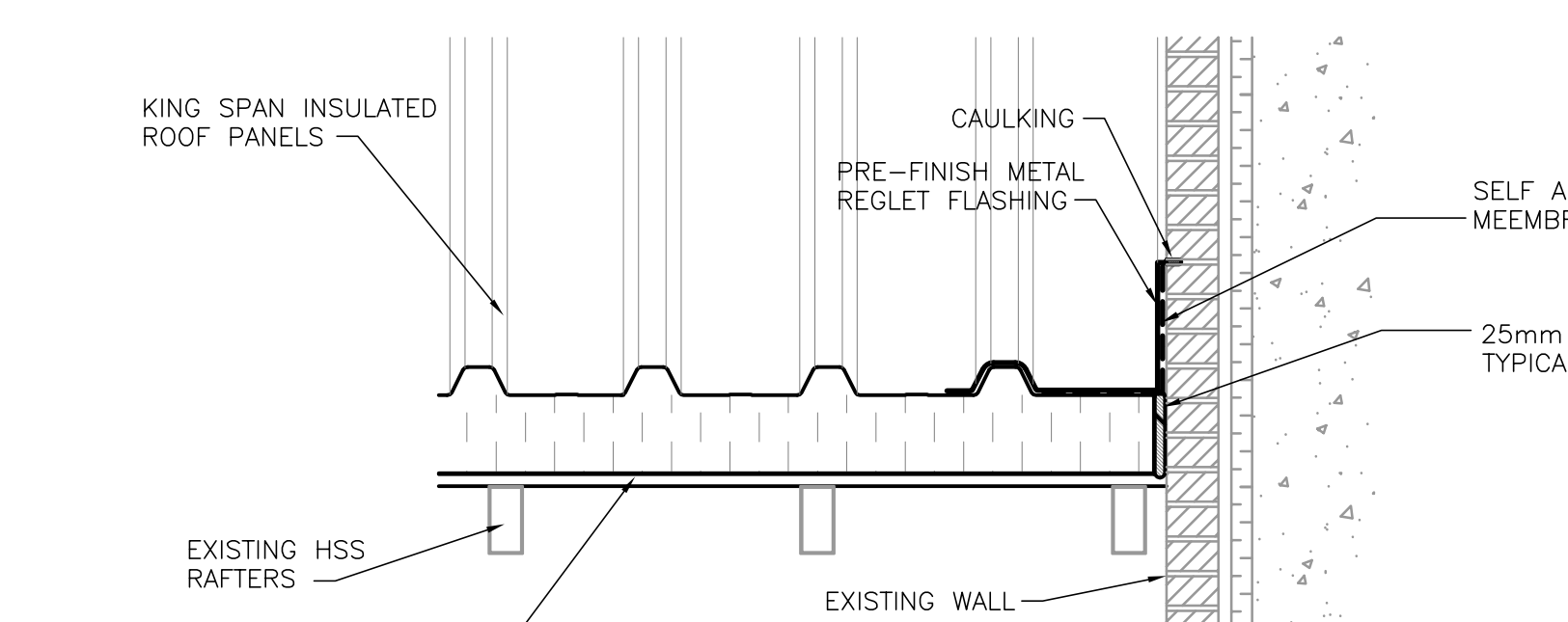
D SIZE 22" x 34" (559mm x 864mm)



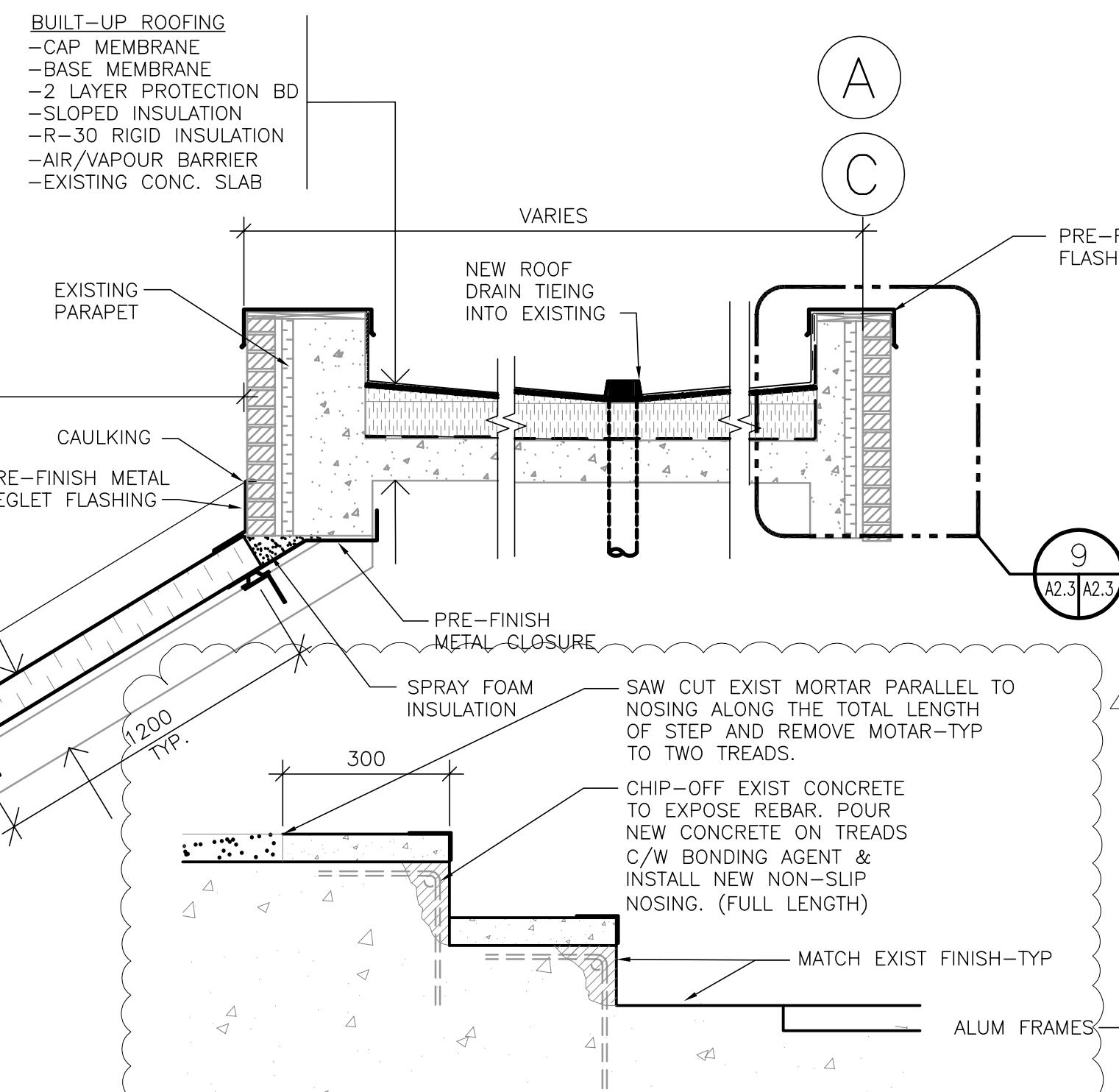
**1 TYPICAL ROOF SECTION**  
SCALE: 1:20



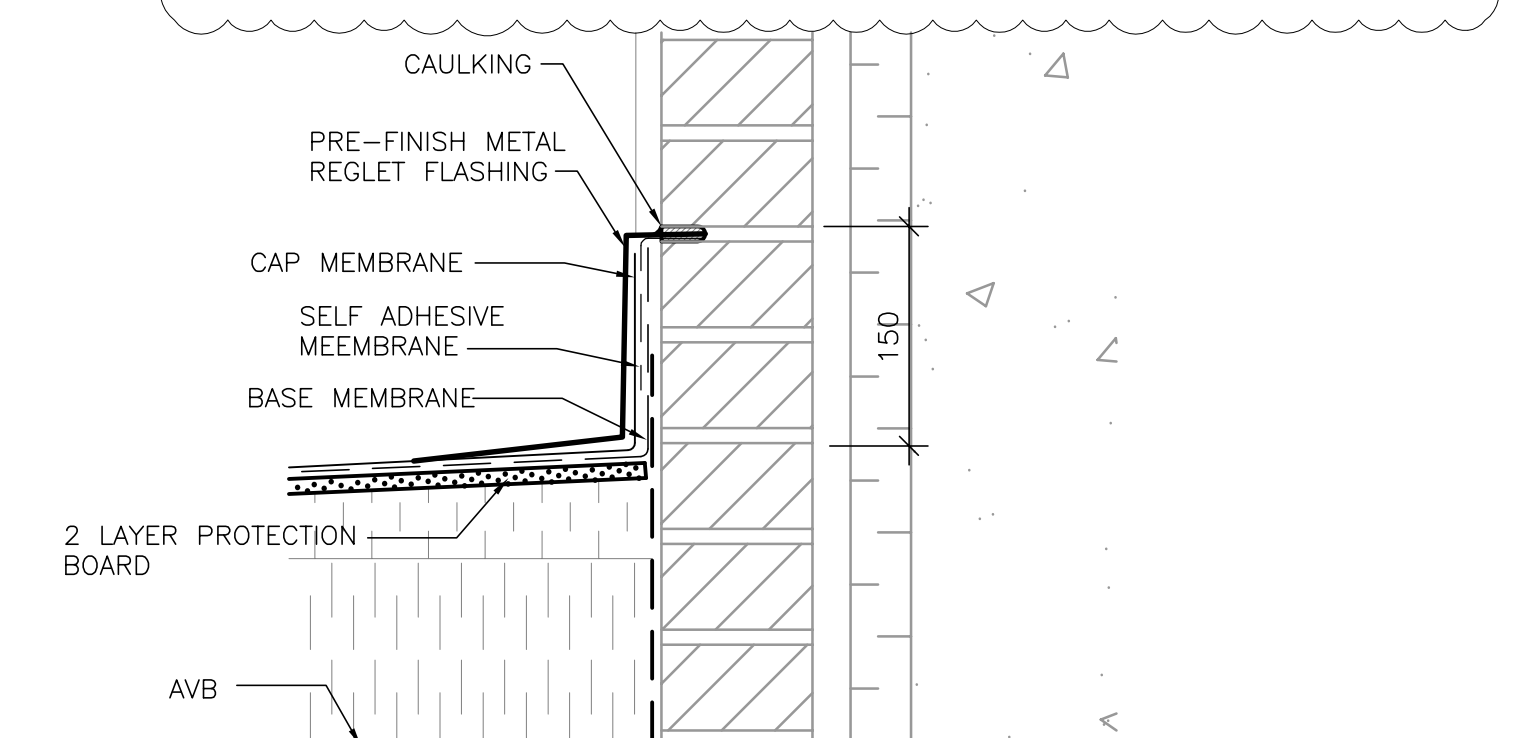
**2 TYPICAL ROOF SECTION**  
SCALE: 1:20



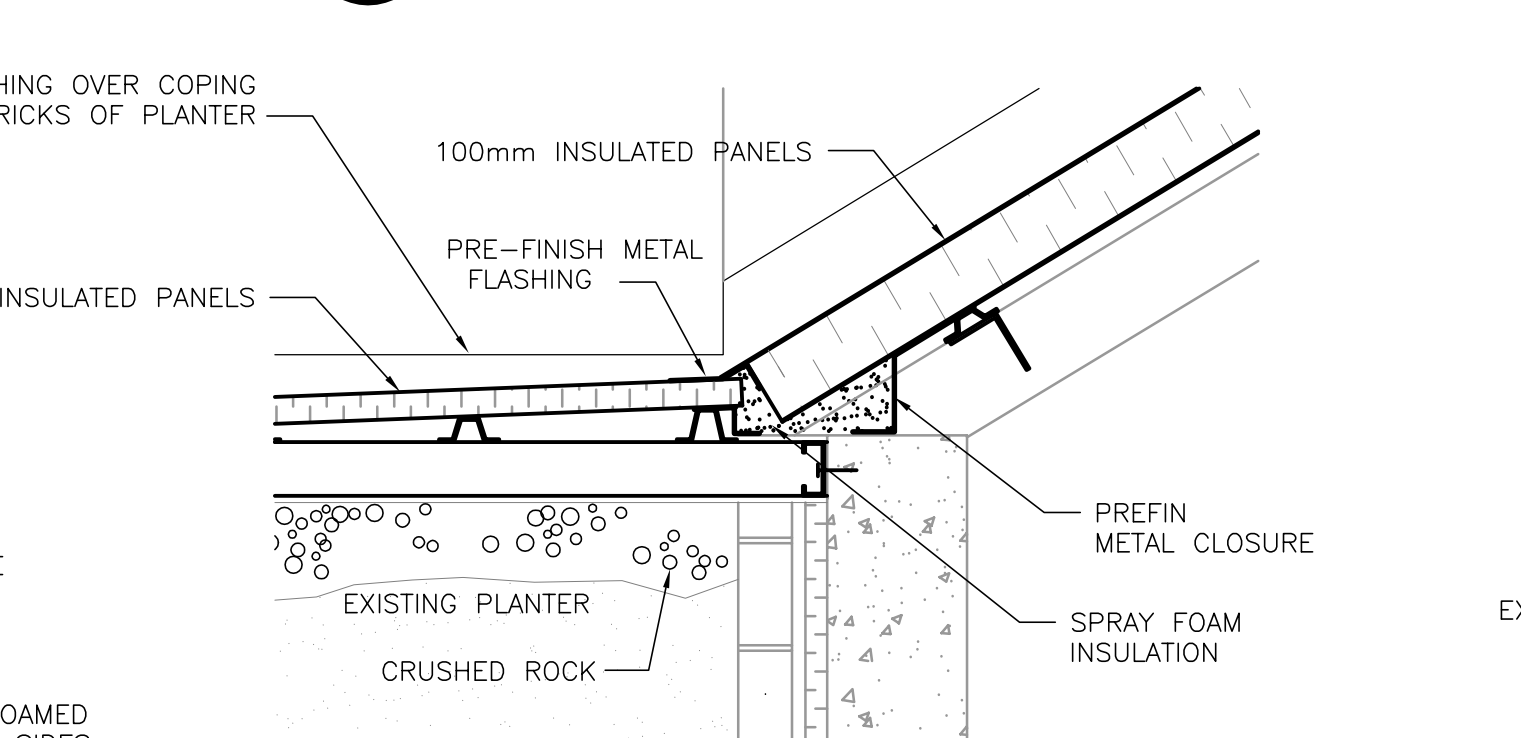
**3 TYPICAL ROOF SECTION**  
SCALE: 1:20



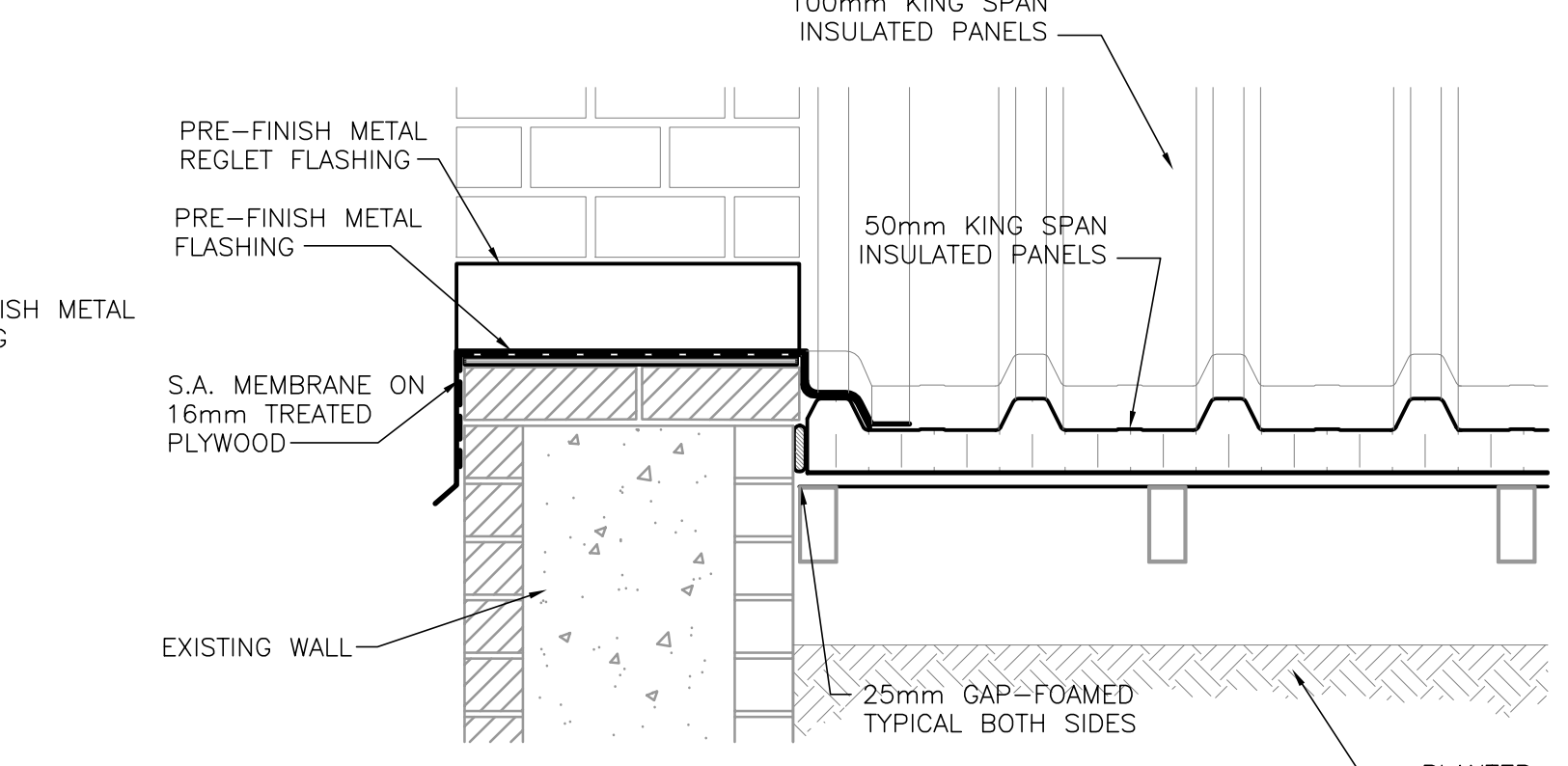
**4 CONCRETE STEP DETAIL**  
SCALE: 1:10



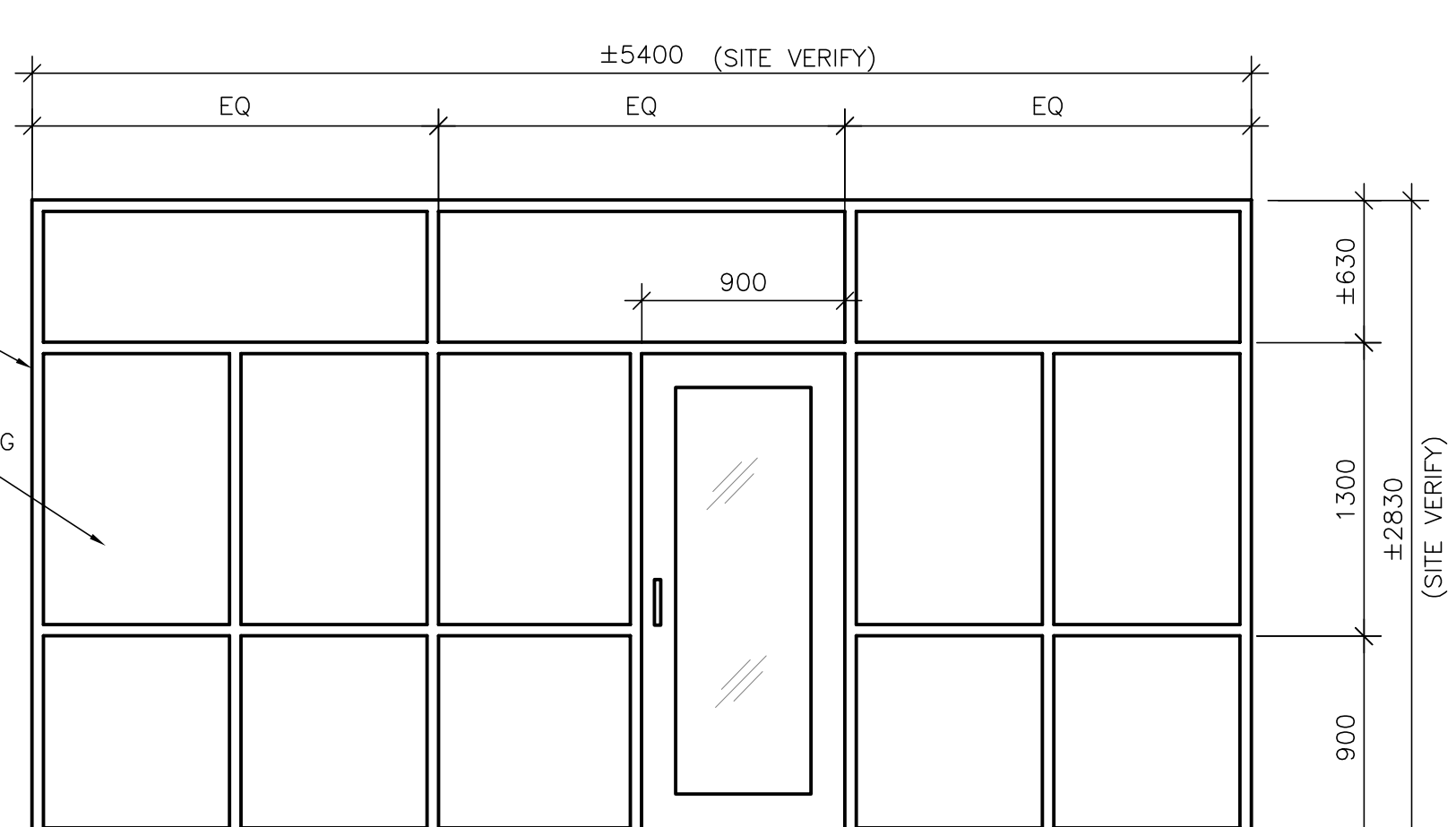
**5 REGLET DETAIL**  
SCALE: 1:5



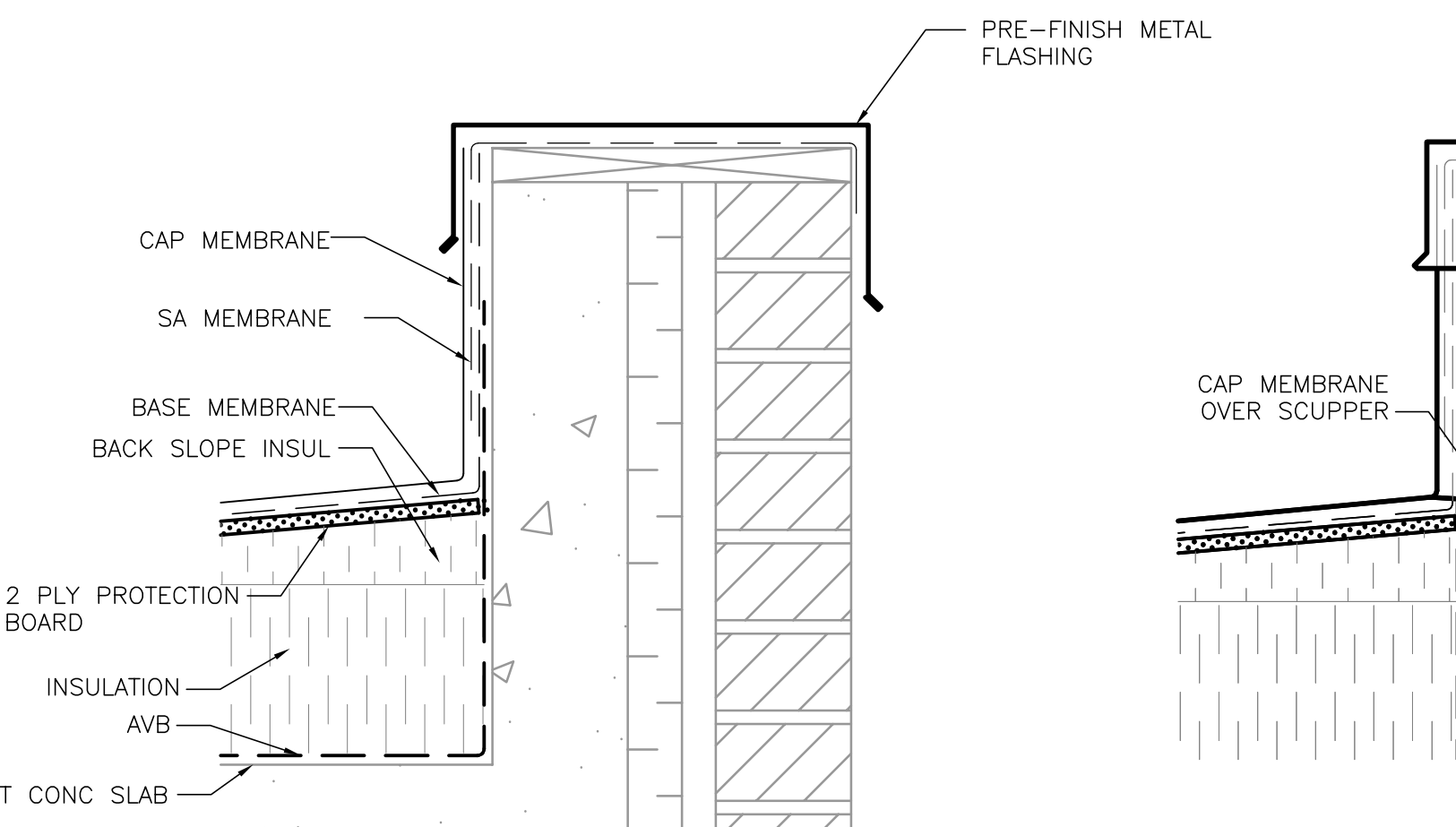
**8 KINGSPAN ROOF DETAIL**  
SCALE: 1:5



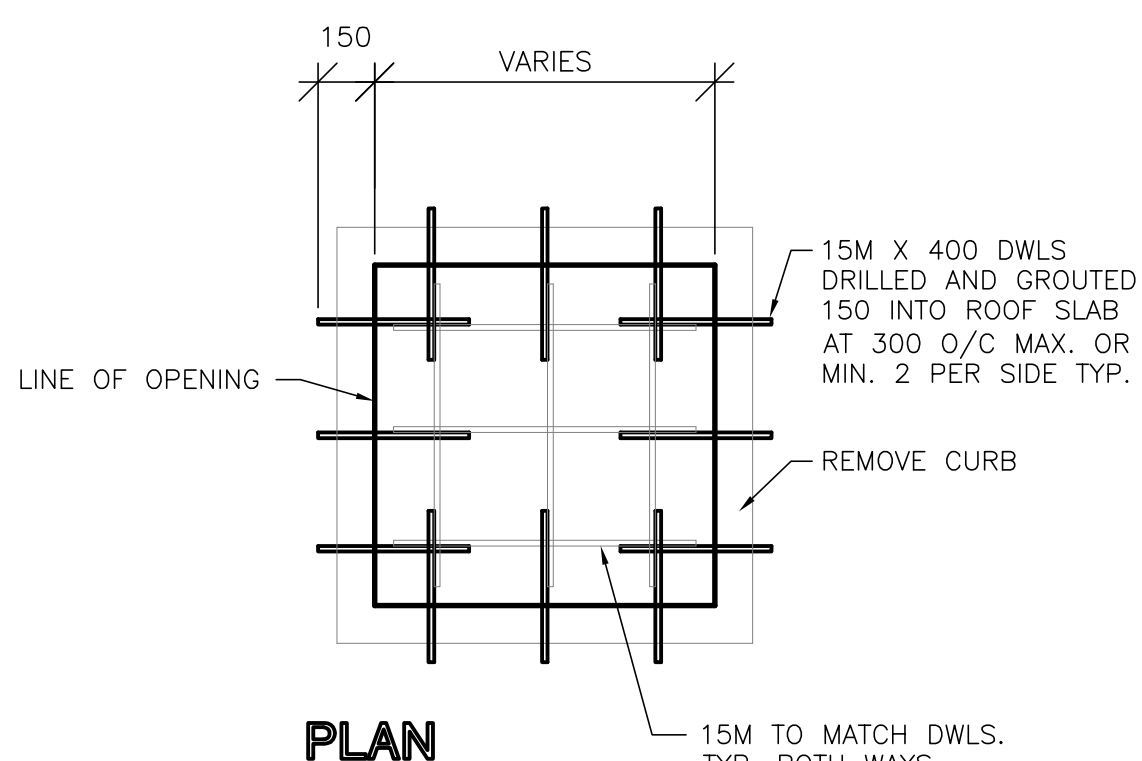
**6 TYPICAL ROOF SECTION**  
SCALE: 1:20



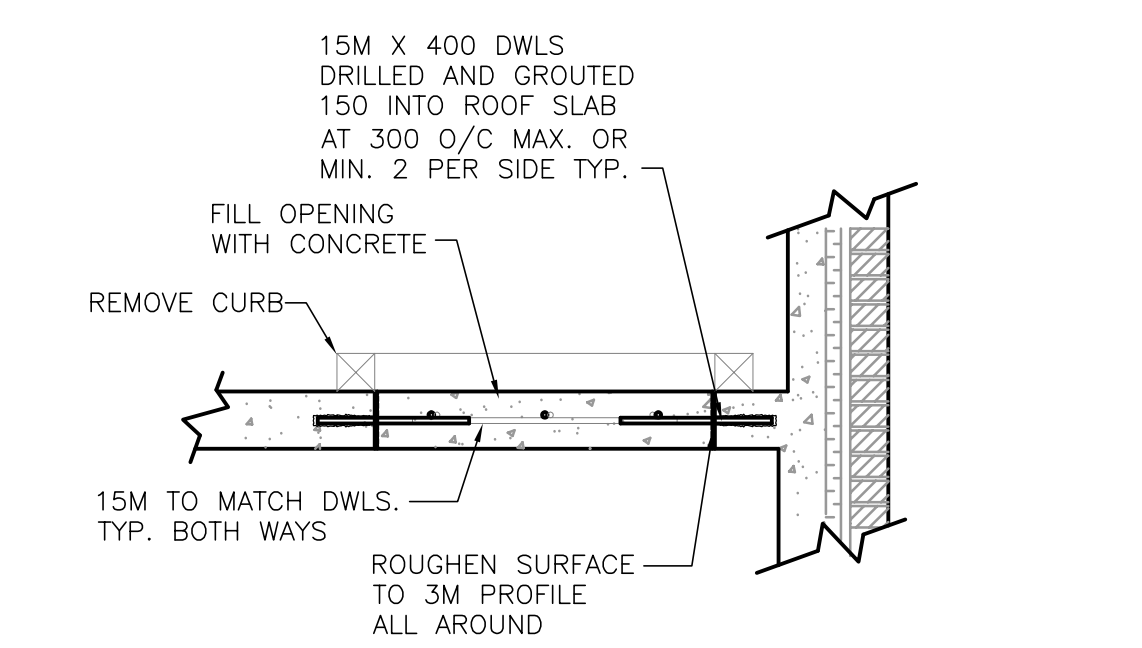
**7 ENTRY DOOR & PANELING**  
SCALE: 1:30



**9 TYPICAL SECTION**  
SCALE: 1:5

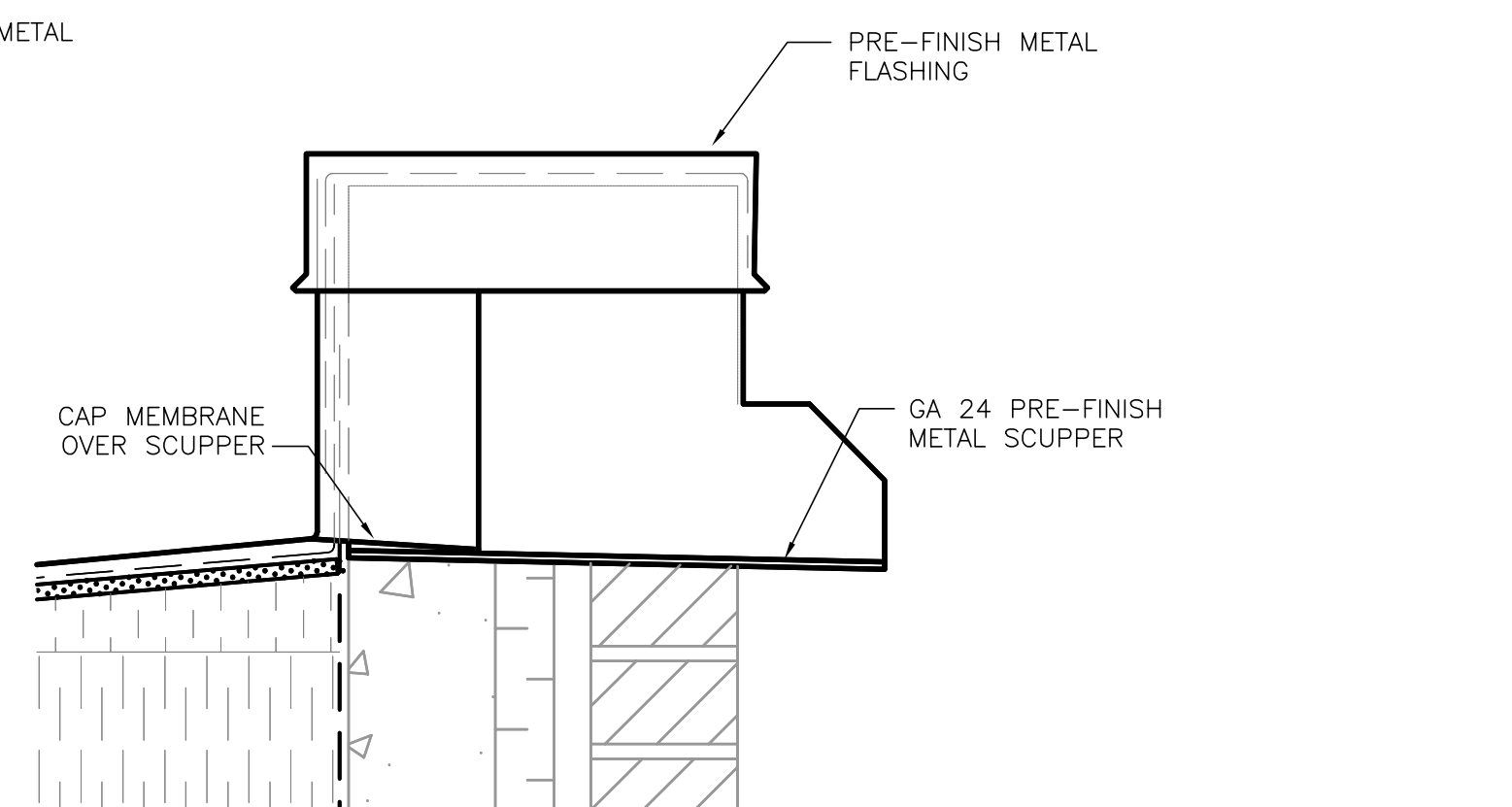


**PLAN**



**SECTION**

**11 COVER OF ROOF OPENING DETAIL**  
SCALE: 1:20



**10 TYPICAL OVERFLOW SCUPPER**  
SCALE: 1:5



**LOCATION APPROVED UNDERGROUND STRUCTURES**  
SUPR. UG STRUCTURES COMMITTEE DATE  
NOTE: LOCATION OF UNDERGROUND STRUCTURES AS SHOWN ARE BASED ON THE BEST INFORMATION AVAILABLE. BUT NO GUARANTEE IS GIVEN THAT ALL EXISTING UTILITIES ARE SHOWN OR THAT THE GIVEN LOCATIONS ARE EXACT. CONFIRMATION OF EXISTENCE AND EXACT LOCATION OF ALL SERVICES MUST BE OBTAINED FROM THE INDIVIDUAL UTILITIES BEFORE PROCEEDING WITH CONSTRUCTION.

DESIGNED BY	NC	CHECKED BY	NC
DRAWN BY	AG/AL	APPROVED BY	NC
HOR. SCALE	1:50	RELEASED FOR CONSTRUCTION BY:	JESSICA McCOMBE
VERT. SCALE	1:50	ORIG SIGNED:	JESSICA McCOMBE
DATE		DATE	03 MAY 2011
NO. REVISIONS		BY	
01	ISSUED FOR ADDENDUM-1	11/05/12	AL
00	ISSUED FOR TENDER	11/05/03	AL
		Y/M/MDD	BY

**Neil Cooper Architect Inc.**  
10-395 Berry Street, Winnipeg, Manitoba R3J 1N6  
Phone (204) 885-3855 Fax (204) 831-7148



BID OPPORTUNITY NO. 377-2011

**THE CITY OF WINNIPEG**  
**WATER AND WASTE DEPARTMENT**

**DEACON BOOSTER PUMPING STATION BLDG**  
**UPGRADES & MAINTENANCE**

MISCELLANEOUS DETAILS

SHEET 3 OF 3  
CITY DRAWING NUMBER  
**1-0620D-B0003-001**  
REV 01