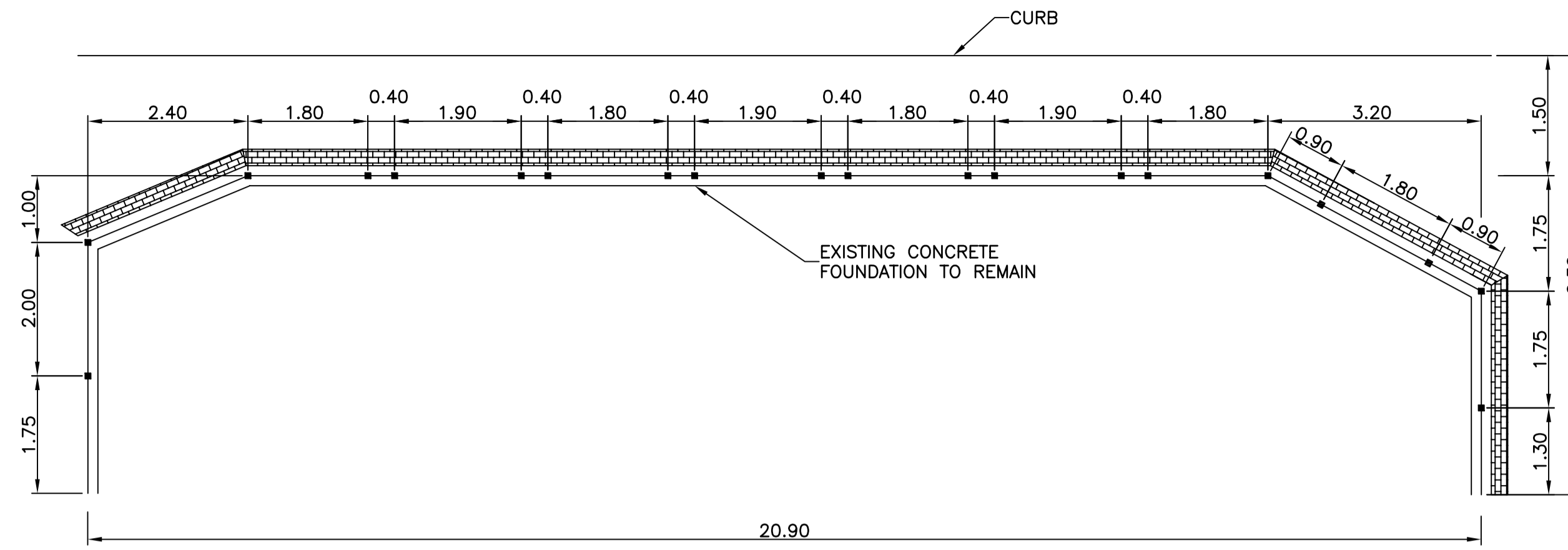
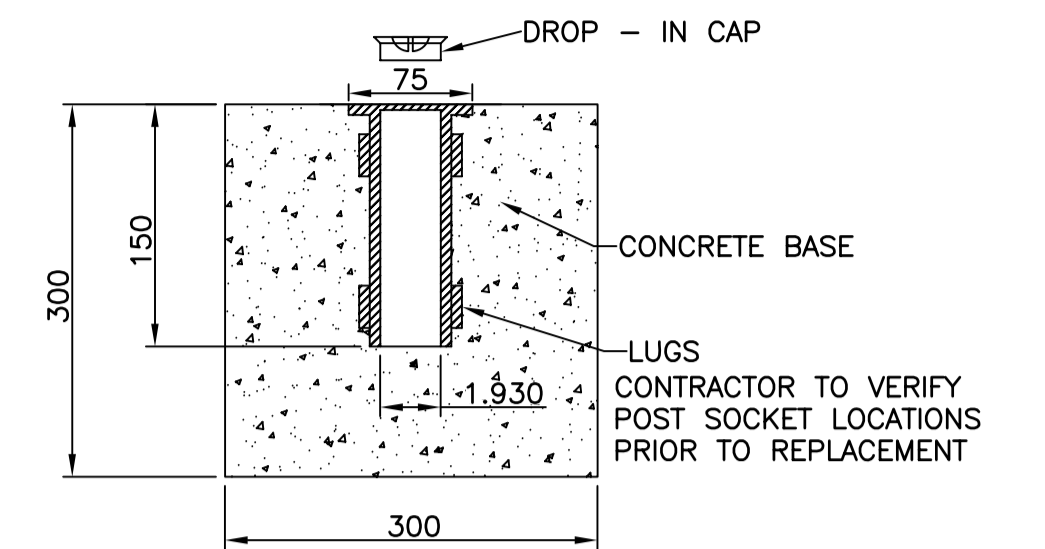


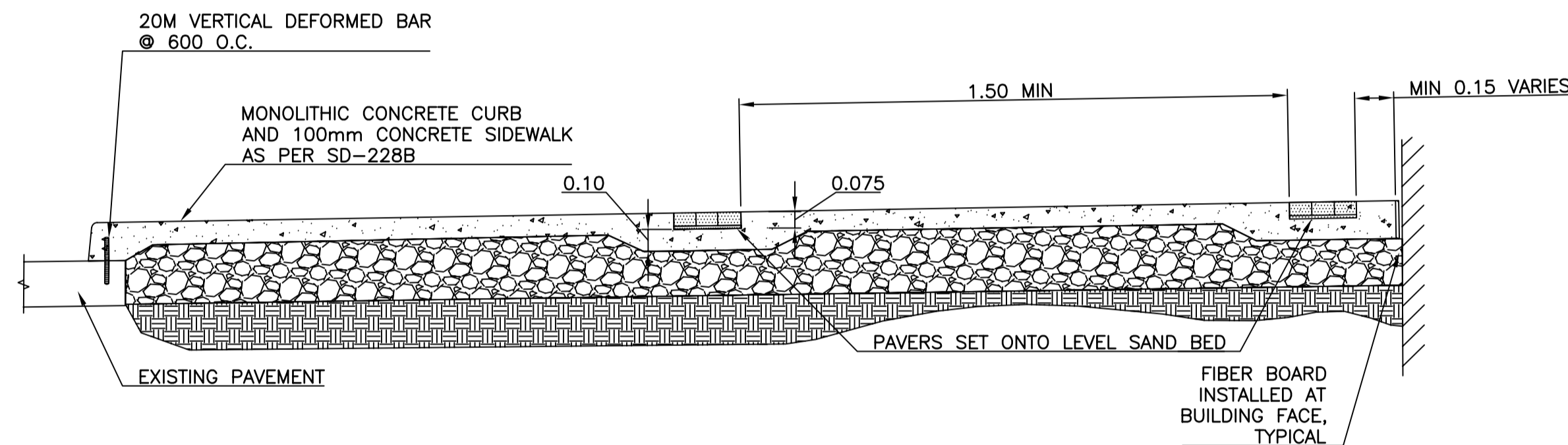
TYPICAL TREE WELL AT EXISTING TREE - SECTION VIEW
N.T.S.



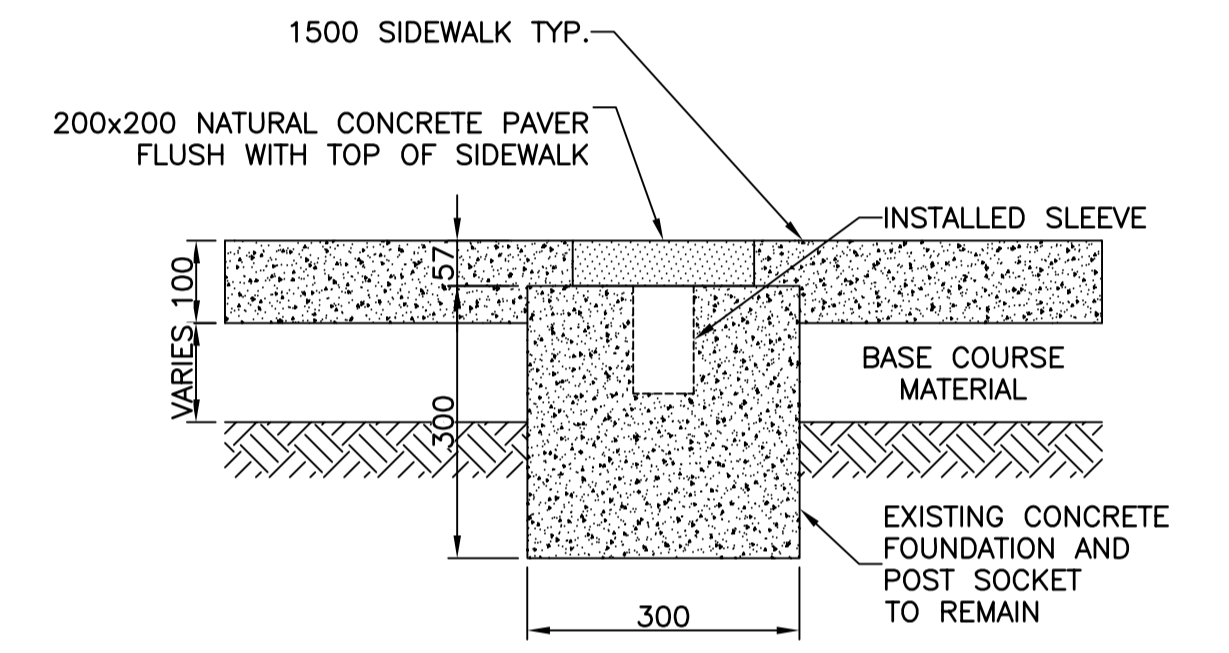
TEMPORARY FENCE FOUNDATION PLAN AT 140 BANNATYNE
N.T.S.



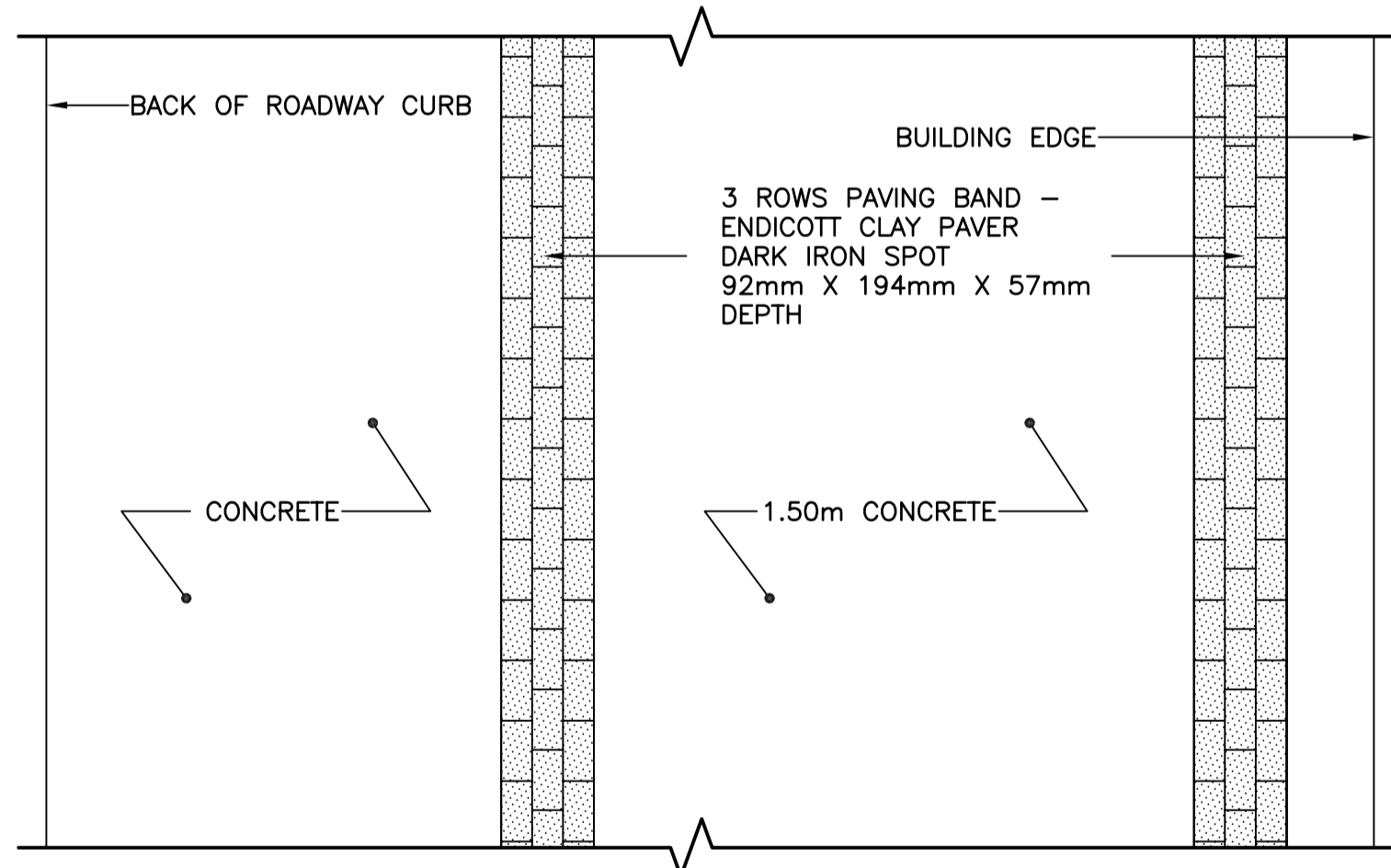
EXISTING POST SOCKET DETAIL
N.T.S.



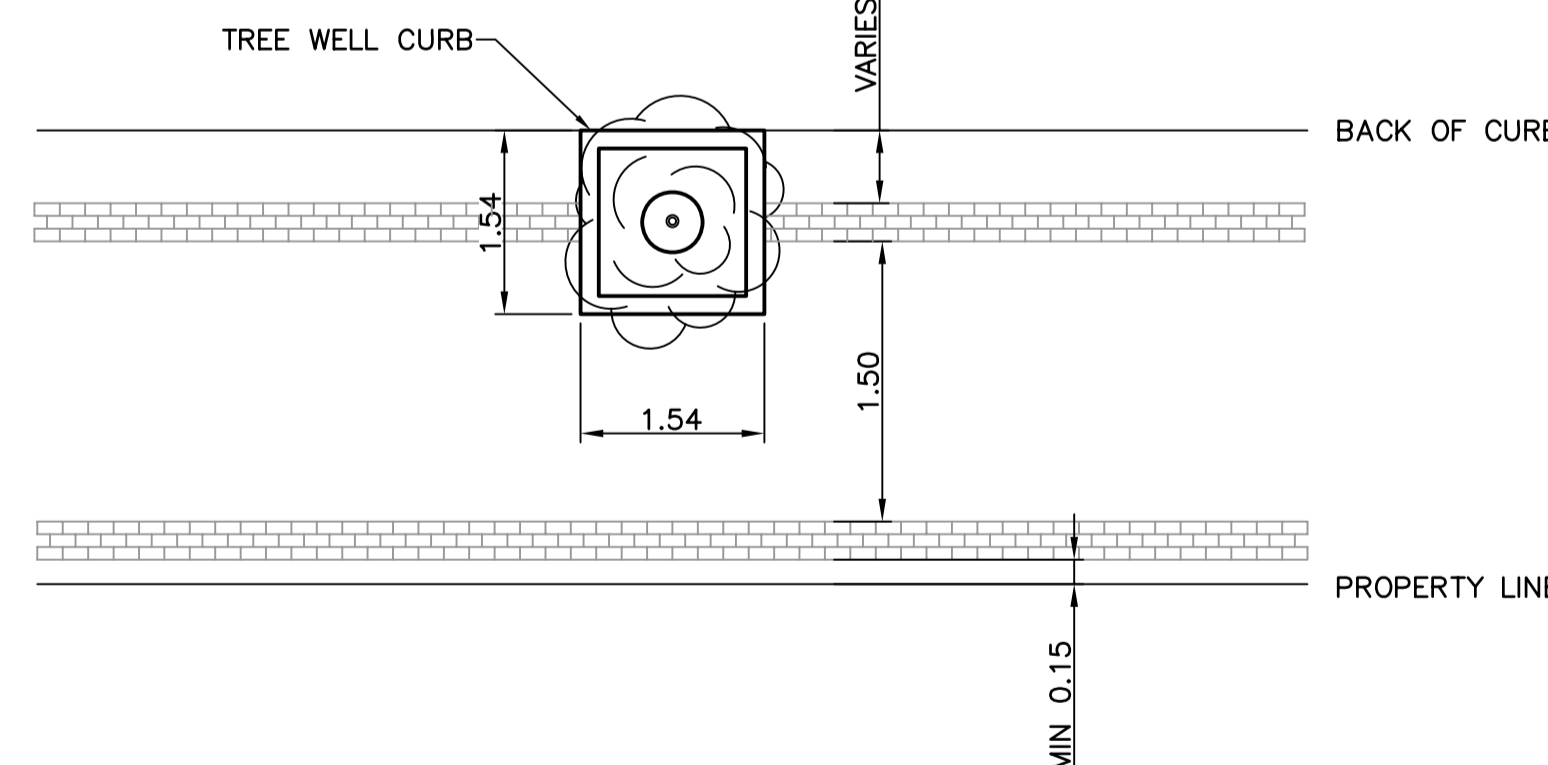
TYPICAL PAVING BAND PATTERN
CROSS SECTION



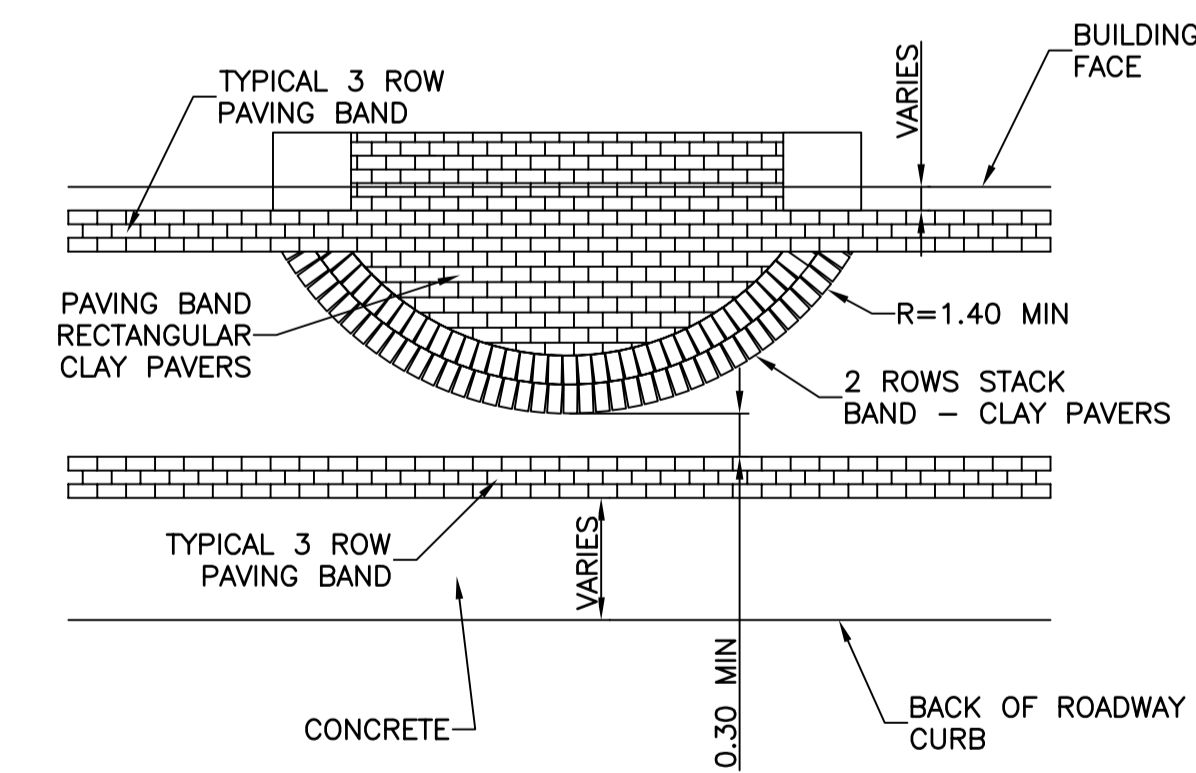
EXISTING FENCE POST SUPPORT DETAIL
N.T.S.



TYPICAL PAVING BAND PATTERN
N.T.S.



TYPICAL TREE WELL AT EXISTING TREE - PLAN VIEW
N.T.S.



TYPICAL BUILDING ENTRY DETAIL
N.T.S.

- CONSTRUCTION NOTES**
- 1) CURB REPLACEMENT AS DIRECTED BY THE CONTRACT ADMINISTRATOR
 - 2) ALL STREET RADIUS CURB UNDER 15M RADIUS SHALL BE REPLACED AS MODIFIED OR AS DIRECTED BY THE CONTRACT ADMINISTRATOR
 - 3) PAVEMENT REPAIRS SHOWN ARE ONLY A REPRESENTATIVE SAMPLE OF THE TENDERED QUANTITIES
 - 4) CONTRACTOR SHALL BE RESPONSIBLE FOR REMOVAL, STORAGE, AND REINSTALLATION OF ALL STREET FURNITURE. ALL STREET FURNITURE TO BE REINSTALLED IN ORIGINAL LOCATION.
 - 5) REMOVE FORMER PARKING METERS BEING USED AS BIKE POSTS.

WARNING

IF POWER EQUIPMENT OR EXPLOSIVES ARE TO BE USED FOR EXCAVATION ON THIS PROJECT THE CONTRACTOR MUST:

- 1) OBTAIN CLEARANCE FROM THE GAS UTILITY PRIOR TO EXCAVATION.
- 2) TAKE PRECAUTION TO AVOID DAMAGE TO GAS UTILITY INSTALLATIONS.

SEE PROVINCIAL REGULATION 210/72 FOR DETAILS

METRIC
WHOLE NUMBERS INDICATE MILLIMETRES
DECIMALIZED NUMBERS INDICATE METRES

BID OPPORTUNITY NO. 375-2011

⊕	HYDRANT	◆	---	LDS/WWS	---	⊠	PAY STATION	
⊗	VALVE	●	---	WATERMAIN	---			
⊙	CURB STOP	⊙	---	GAS	---			
▬	CONCRETE SIDEWALK	▬	---	TRAFFIC SIGNALS	---			
○	O.L.S.	●	---	CONCRETE	---			
⊙	DECORATIVE LIGHT	●	---	CURB RENEWAL	---			
○	MANHOLE	●	231.000	ELEVATIONS	[231.000]			
□	CATCH BASIN	■	---	PROPERTY LINE	---			
△	CURB INLET	▲	---	SURVEY BAR	---			
☆	HYDRO POLE	⊕	---	GEODETC BENCH MARK	---			
⊕	TRAFFIC SIGNAL POLE	---	---	RAMP CURB	---			
EXISTING	LEGEND - PLAN	PROPOSED	EXISTING	LEGEND - PLAN	PROPOSED	EXISTING	LEGEND - PLAN	PROPOSED

LOCATION APPROVED UNDERGROUND STRUCTURES

SUPR. U/G STRUCTURES COMMITTEE DATE

NOTE:
LOCATION OF UNDERGROUND STRUCTURES AS SHOWN ARE BASED ON THE BEST INFORMATION AVAILABLE. BUT NO GUARANTEE IS GIVEN THAT ALL EXISTING UTILITIES ARE SHOWN OR THAT THE GIVEN LOCATIONS ARE EXACT. CONFIRMATION OF EXISTENCE AND EXACT LOCATION OF ALL SERVICES MUST BE OBTAINED FROM THE INDIVIDUAL UTILITIES BEFORE PROCEEDING WITH CONSTRUCTION.

B.M. ELEV.	
NO.	REVISIONS
DATE	BY

ENGINEERING DIVISION
TECHNOLOGY SERVICES BRANCH
106 - 1155 PACIFIC AVE

DESIGNED BY L.B. CHECKED BY C.T.

DRAWN BY R.M.C. APPROVED BY S.P.

HOR. SCALE: N.T.S.
VERTICAL: N.T.S.

DATE 2011/06/02

ENGINEER'S SEAL

THE CITY OF WINNIPEG
PUBLIC WORKS DEPARTMENT

BANNATYNE AVENUE
FROM MAIN STREET TO WATERFRONT DRIVE
SIDEWALK RENEWAL AND ASSOCIATED WORKS

DRAWING DETAILS

CITY DRAWING NUMBER SE-11-27
SHEET 4 OF 4
4