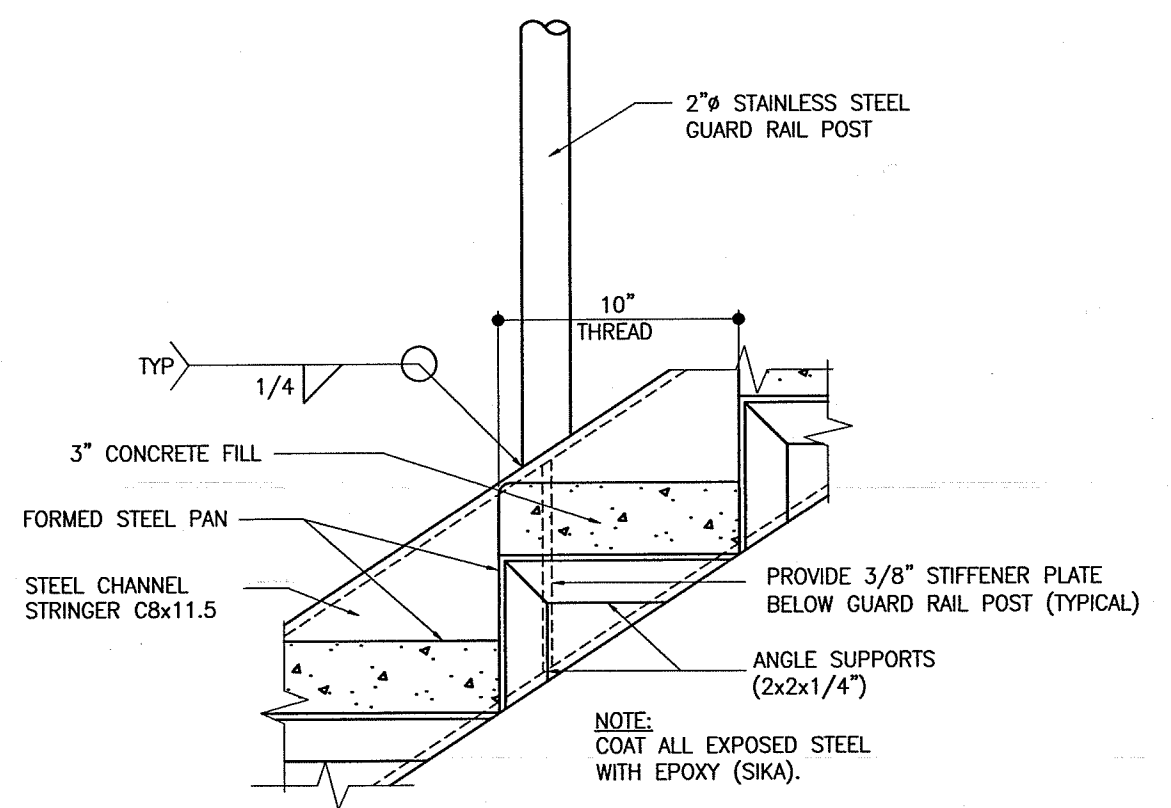
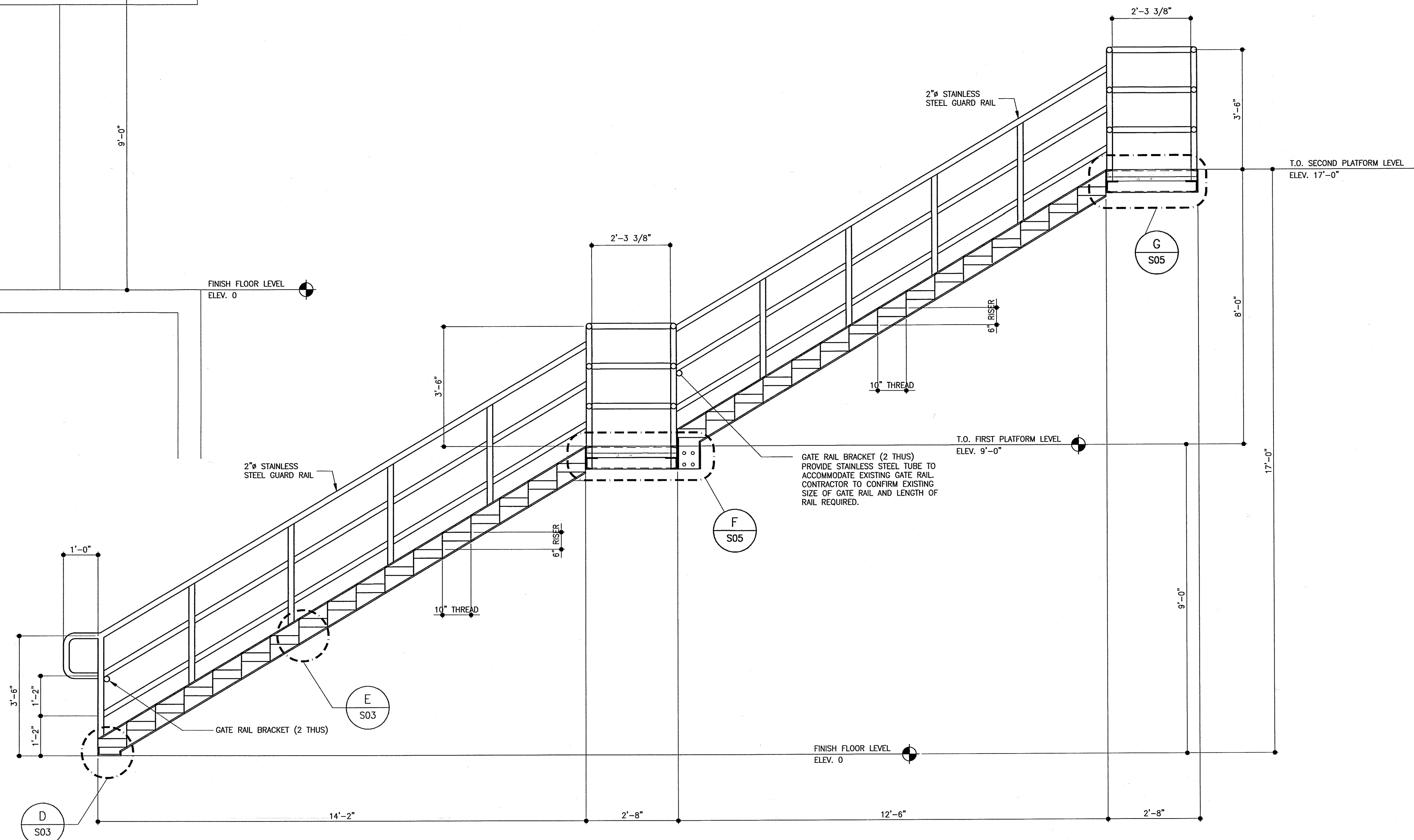
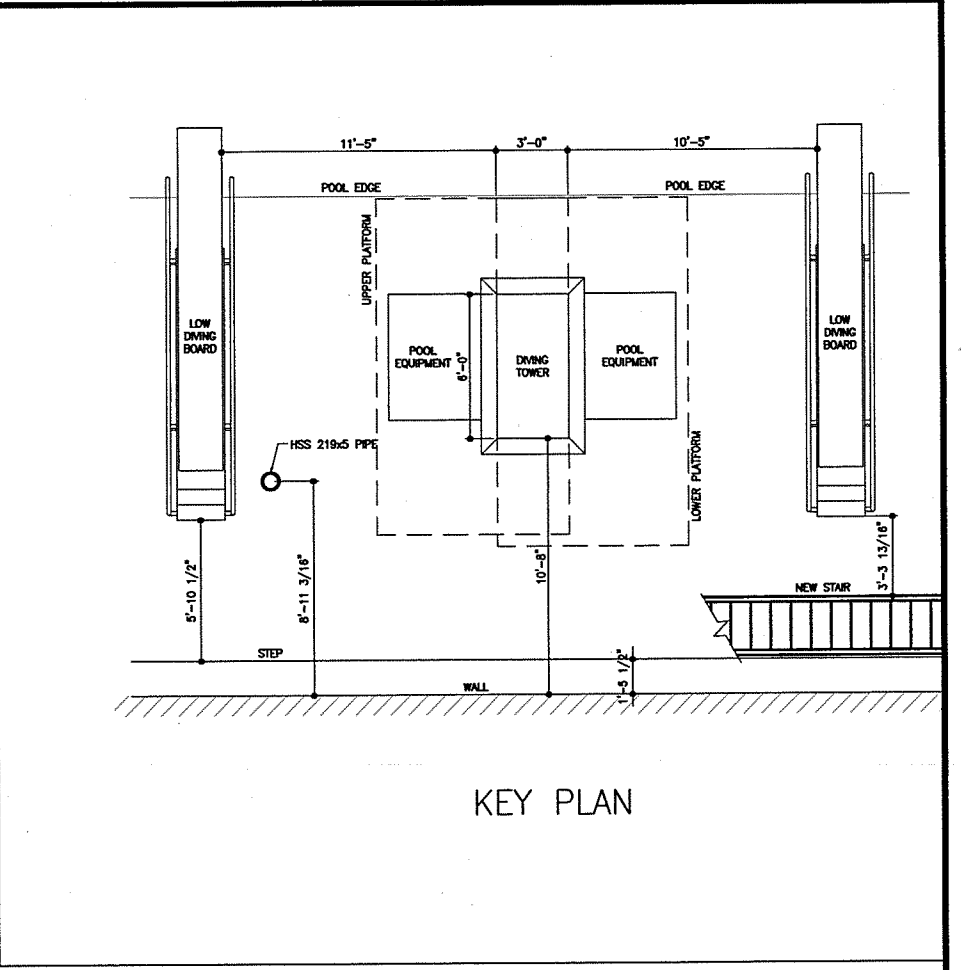


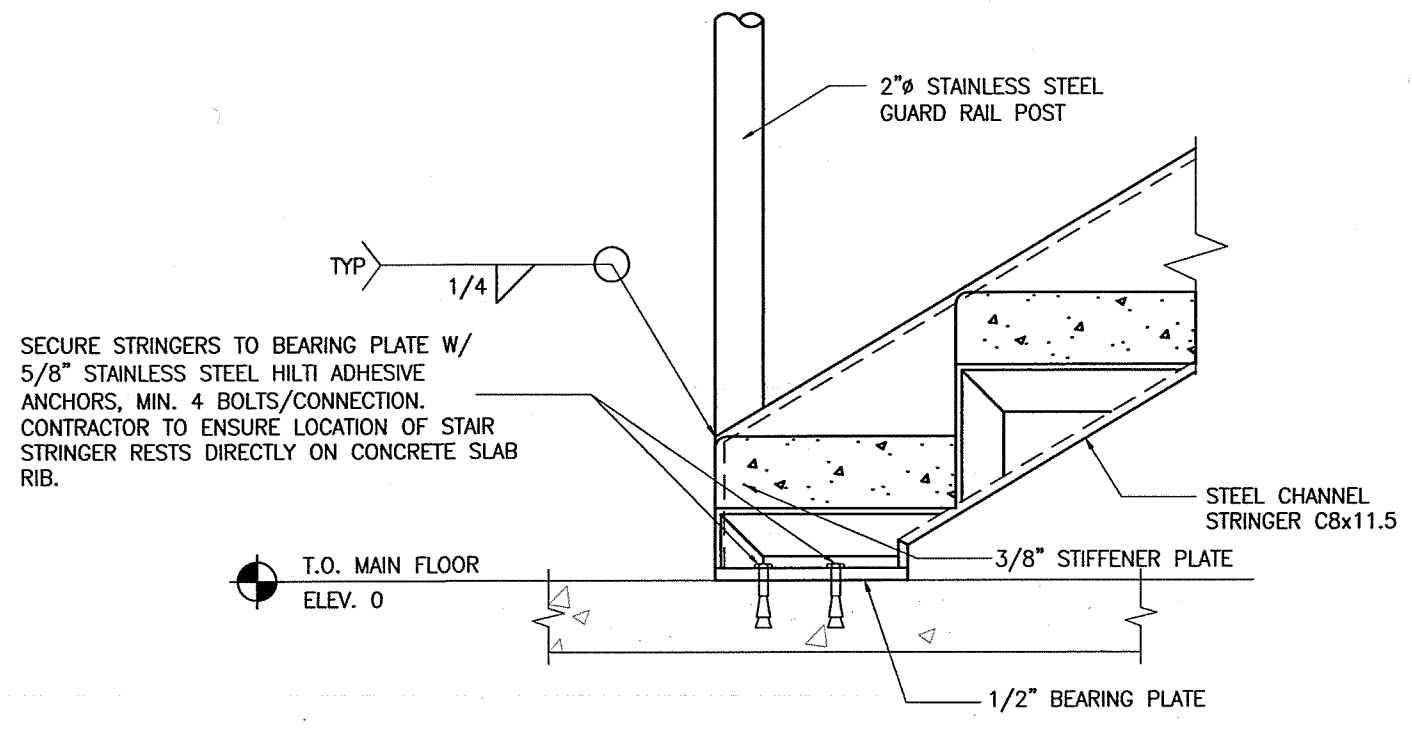
1 ELEVATION
S03 1/2" = 1' - 0"



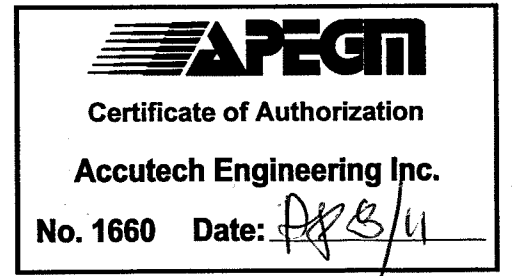
E TYP. STEEL STAIR DETAIL
S03 1 1/2" = 1' - 0"



2 ELEVATION
S03 1/2" = 1' - 0"

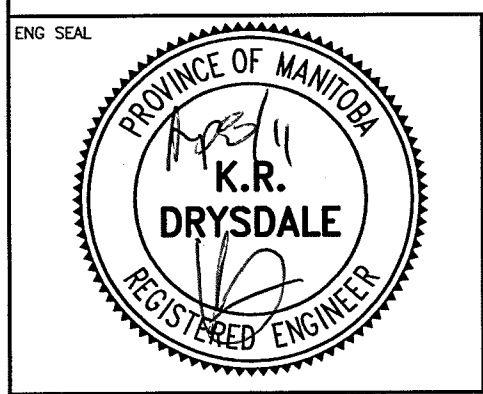


D DETAIL
S03 1 1/2" = 1' - 0"



7				
6				
5				
4				
3				
2				
1	ISSUED FOR TENDER	QBG	KRD	APR 08 2011
0	ISSUED FOR CLIENT REVIEW	QBG	KRD	MAR 30 2011
REV	DESCRIPTION	DWN	APP	REV DATE

Accutech Engineering Inc.
Tomorrow's Technology Today
605-287 Broadway, Winnipeg, Manitoba Canada R3C 0R9
Phone 204.944.1555 Fax 204.944.1444
www.accutech.ca



CITY OF WINNIPEG
SEVEN OAKS POOL DIVING TOWER

SHEET TITLE: **NEW STAIRS ELEVATIONS AND DETAILS**

DRAWN BY QBG	CHECKED BY ATD	DATE APR 08 2011	SHEET NO. S03
DESIGNED BY ATD	CHECKED BY KRD	SCALE AS NOTED	REVISION NO. 1