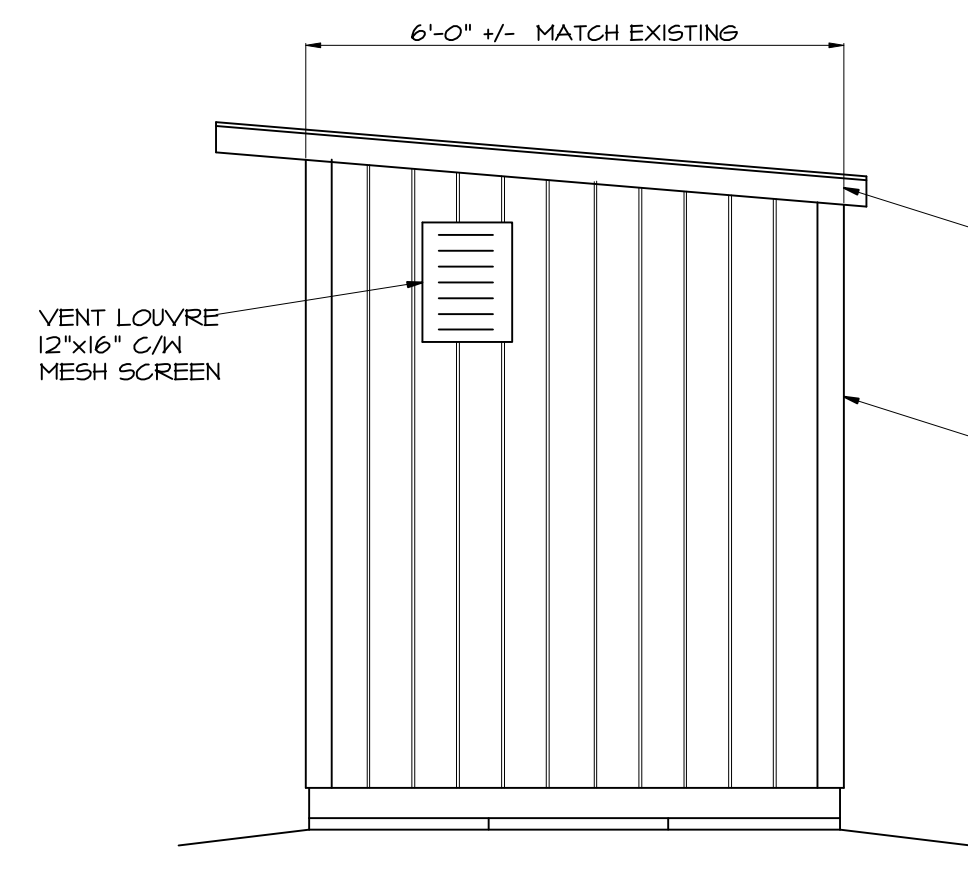
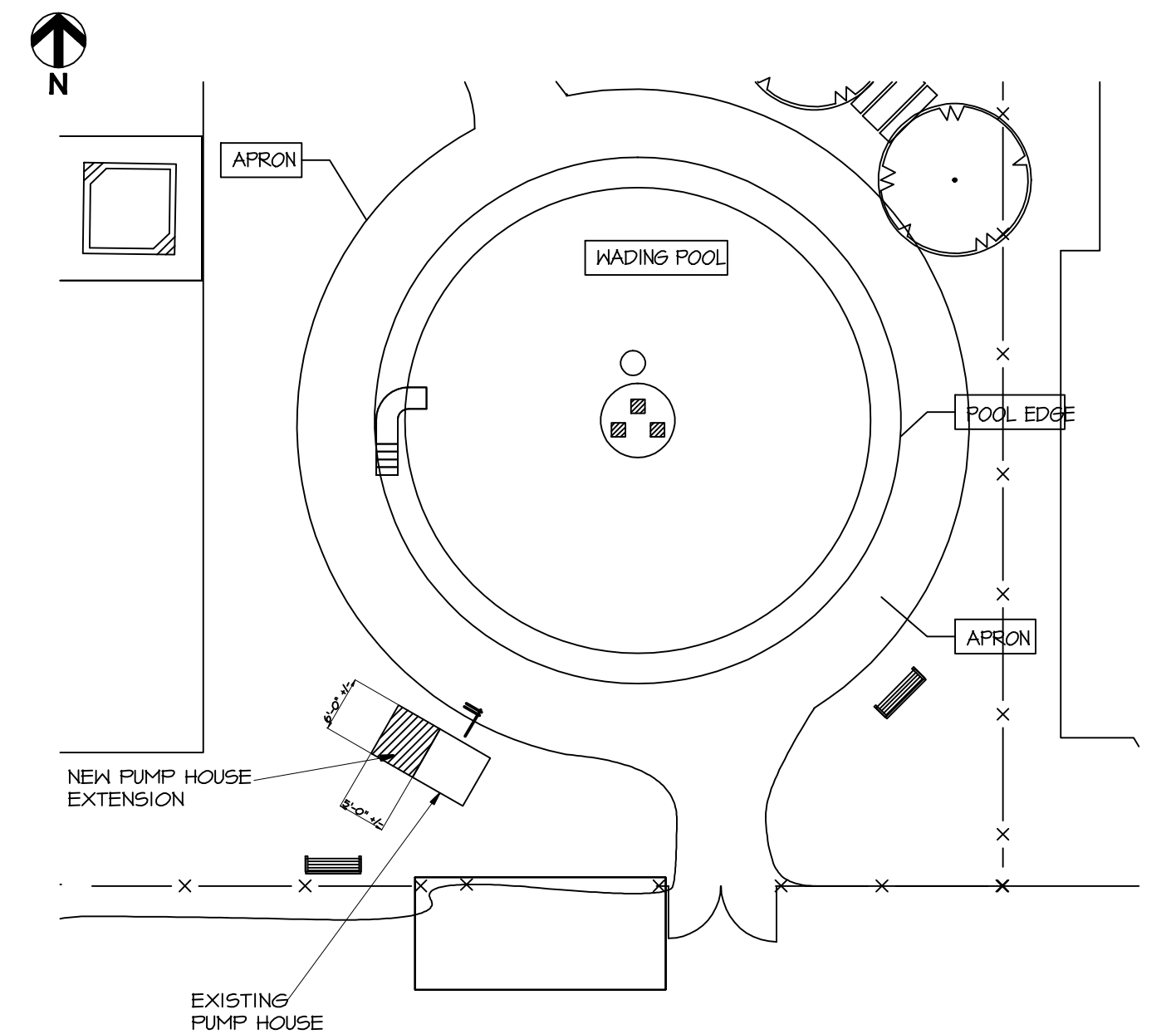


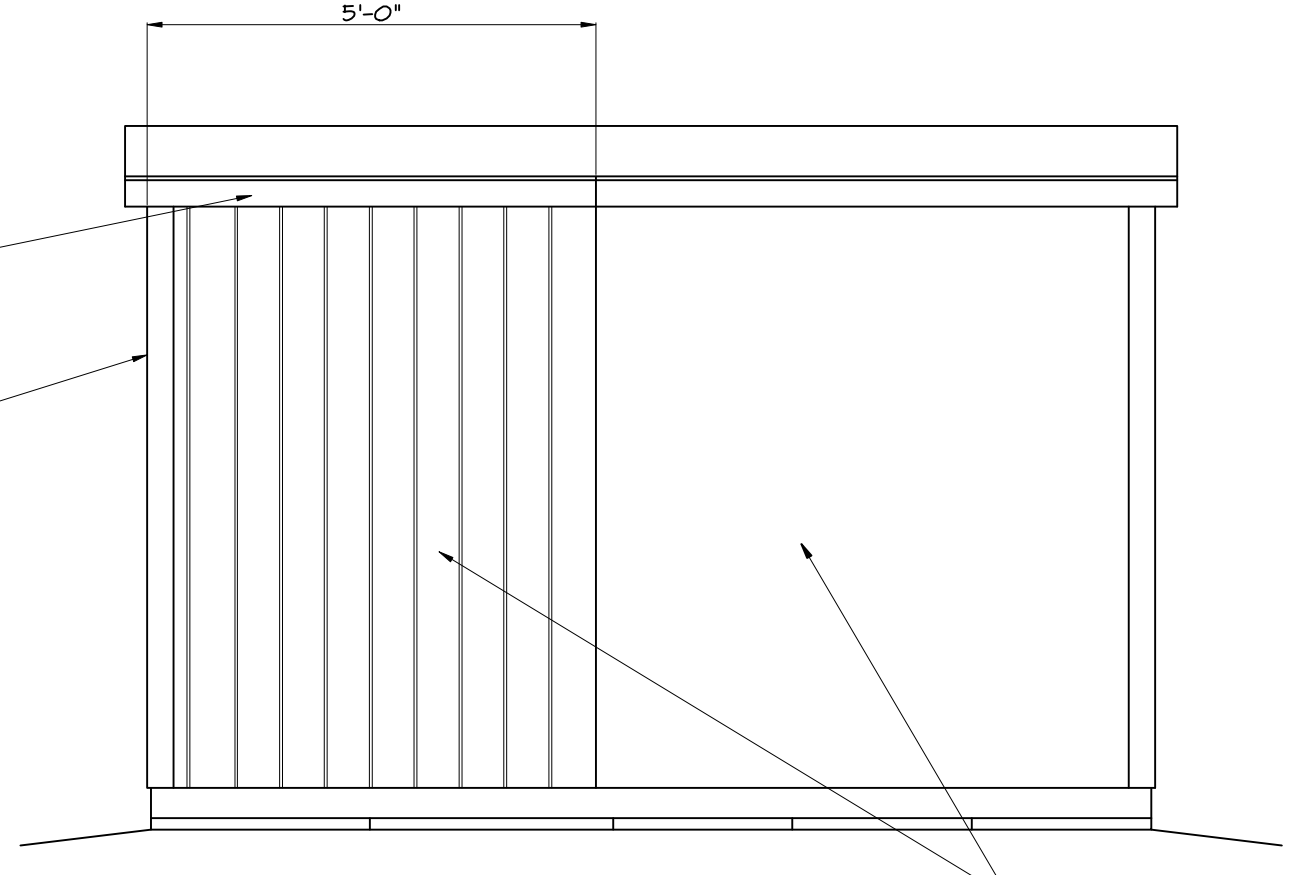
PLAN



WEST ELEVATION

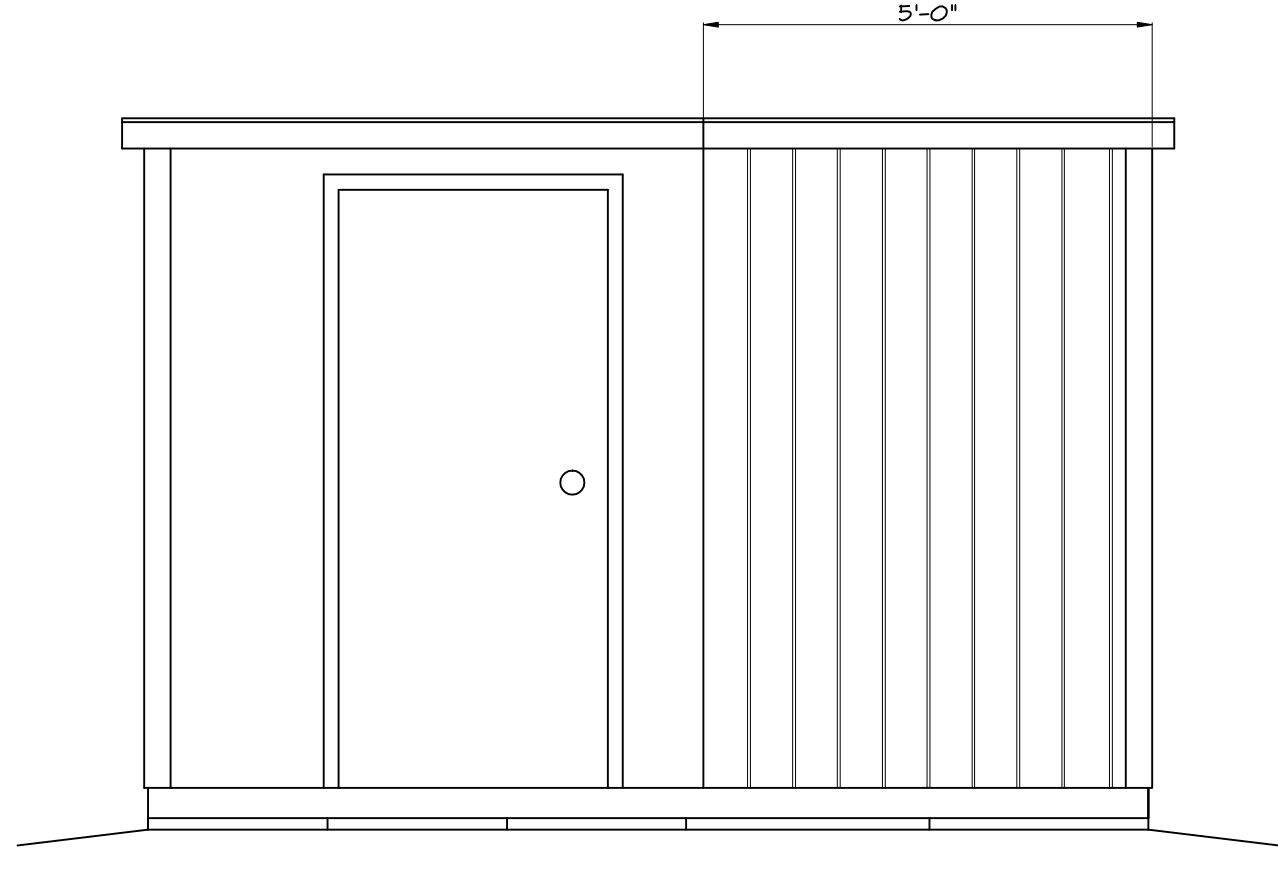
FACIA FLASHING AROUND NEW & EXISTING TYP. SEE DETAIL

TRIM TO MATCH EXISTING TYP.

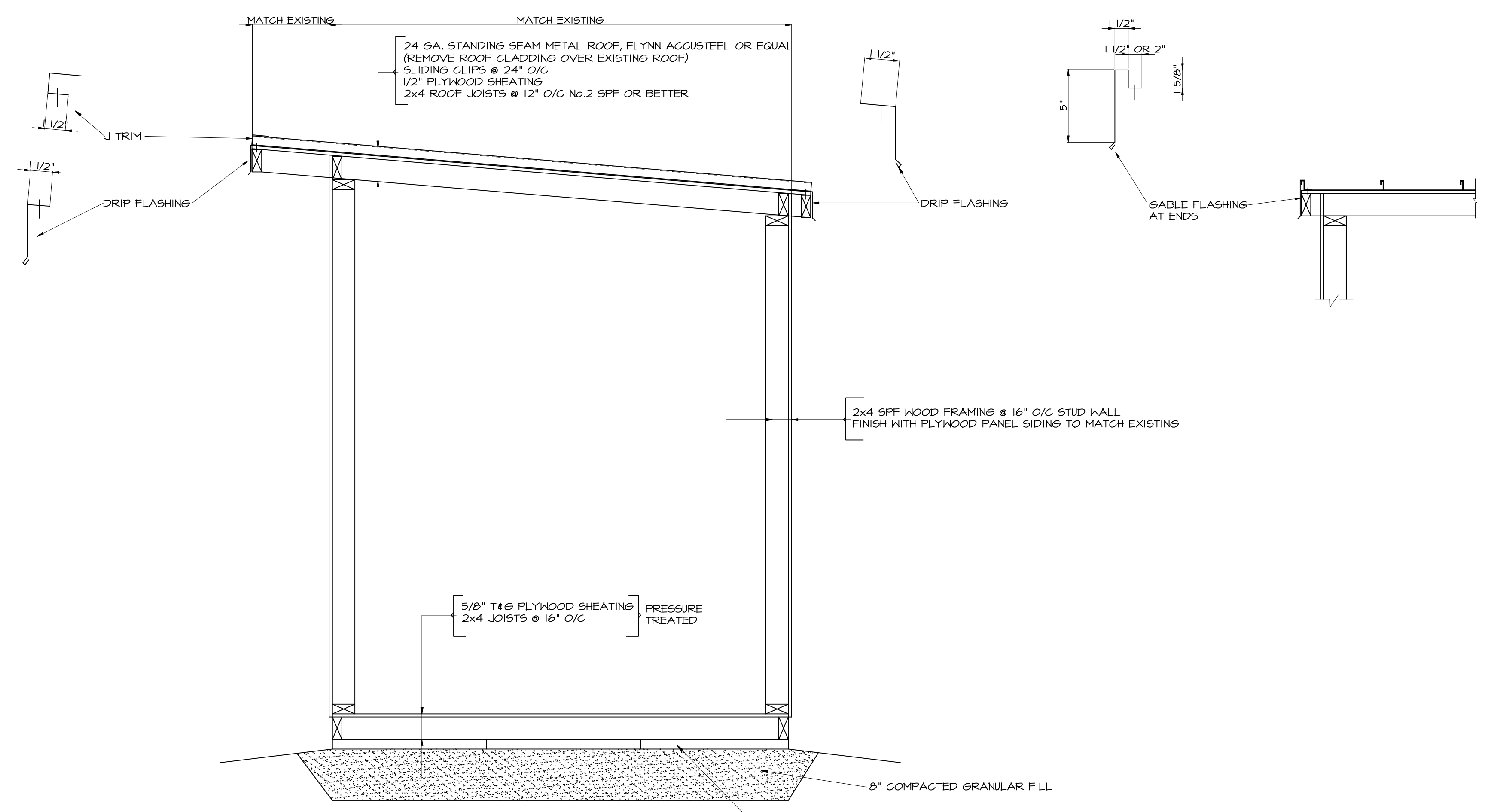


SOUTH ELEVATION

PAINT NEW & EXISTING BUILDING TYP.



NORTH ELEVATION



SECTION-A

Original sealed by  
F.A. Roberts, P, Eng.

**APEGM**  
Certificate of Authorization  
F.A. Roberts & Associates Ltd.  
No. 1191 Date: March 29, 2011

NO.	REVISIONS	BY	DATE
1	ISSUED FOR TENDER	JC	MAR.23/211
A	ISSUED FOR REVIEW	JC	MAR.10/211

**F.A. Roberts & Associates Ltd.**  
Engineering Consultants  
1304 Border St. | Winnipeg, MB | R3H 0M8 | Ph: (204) 994-4800

CLIENT CITY OF WINNIPEG

PROJECT WADING POOL RENOVATIONS AT RIVERVIEW C.C.

LOCATION 90 ASHLAND AVE. WINNIPEG, MANITOBA

DRAWING TITLE PUMP HOUSE EXTENSION

BID OPPORTUNITY No. 271-2011

DWG/DWN BY: JC	DATE: MAR.01	DWG NO.	REVISED
CHECKED BY: JAK	DATE:	5-1	1