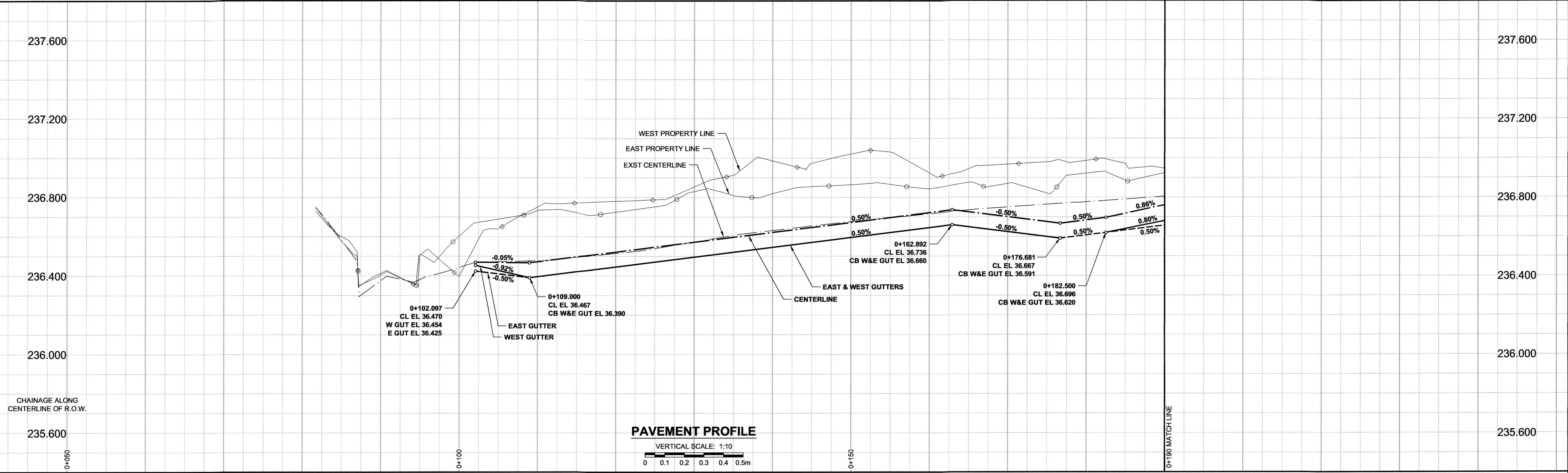
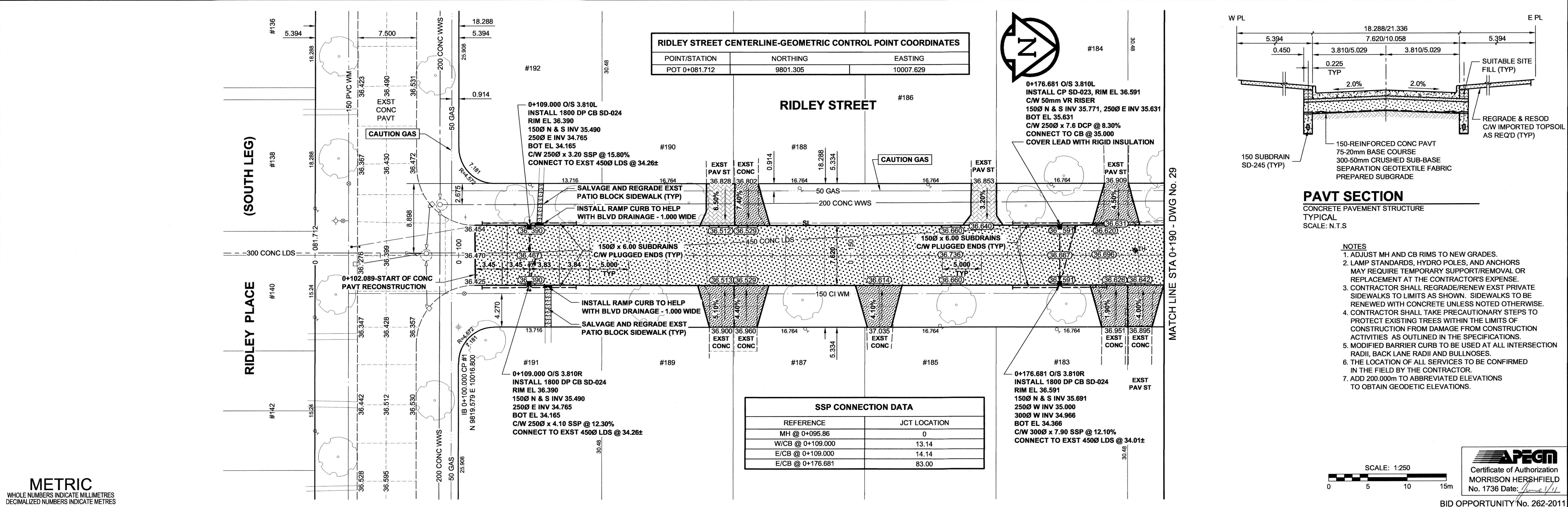


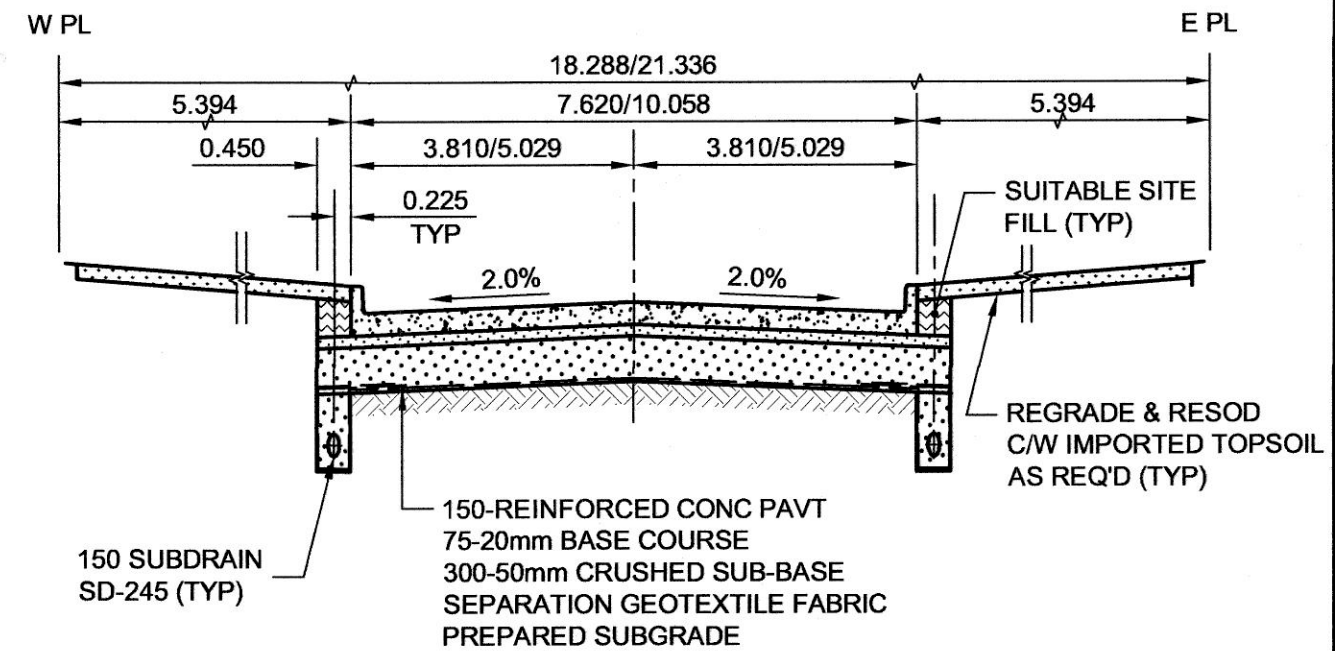
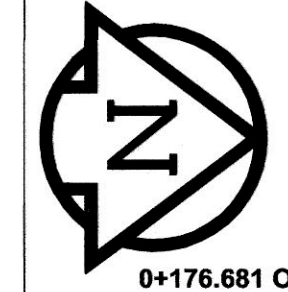
A1 SIZE 594mm x 841mm
 PLOT: 6/1/2011 9:53:49 AM
 FILE NAME: W11400100-T-028_RX.dwg Saved By: ddoszczod



PAVEMENT PROFILE
 VERTICAL SCALE: 1:10
 0 0.1 0.2 0.3 0.4 0.5m



RIDLEY STREET CENTERLINE-GEOMETRIC CONTROL POINT COORDINATES		
POINT/STATION	NORTHING	EASTING
POT 0+081.712	9801.305	10007.629



PAVT SECTION
 CONCRETE PAVEMENT STRUCTURE
 TYPICAL
 SCALE: N.T.S.

- NOTES**
1. ADJUST MH AND CB RIMS TO NEW GRADES.
 2. LAMP STANDARDS, HYDRO POLES, AND ANCHORS MAY REQUIRE TEMPORARY SUPPORT/REMOVAL OR REPLACEMENT AT THE CONTRACTOR'S EXPENSE.
 3. CONTRACTOR SHALL REGRADE/RENEW EXST PRIVATE SIDEWALKS TO LIMITS AS SHOWN. SIDEWALKS TO BE RENEWED WITH CONCRETE UNLESS NOTED OTHERWISE.
 4. CONTRACTOR SHALL TAKE PRECAUTIONARY STEPS TO PROTECT EXISTING TREES WITHIN THE LIMITS OF CONSTRUCTION FROM DAMAGE FROM CONSTRUCTION ACTIVITIES AS OUTLINED IN THE SPECIFICATIONS.
 5. MODIFIED BARRIER CURB TO BE USED AT ALL INTERSECTION RADII, BACK LANE RADII AND BULLNOSES.
 6. THE LOCATION OF ALL SERVICES TO BE CONFIRMED IN THE FIELD BY THE CONTRACTOR.
 7. ADD 200.000m TO ABBREVIATED ELEVATIONS TO OBTAIN GEODETIC ELEVATIONS.

SSP CONNECTION DATA	
REFERENCE	JCT LOCATION
MH @ 0+095.86	0
W/CB @ 0+109.000	13.14
E/CB @ 0+109.000	14.14
E/CB @ 0+176.681	83.00

METRIC
 WHOLE NUMBERS INDICATE MILLIMETRES
 DECIMALIZED NUMBERS INDICATE METRES

EXISTING	LEGEND - PLAN	NEW	EXISTING	LEGEND - PLAN	NEW	EXISTING	LEGEND - PLAN	NEW	
	GAS		MANHOLE		CONCRETE PAVEMENT		LOCATION APPROVED		BM
	MTS		CATCH BASIN / CATCH PIT		CONC SIDEWALK / MEDIAN		SUPR. U/G STRUCTURES		ELEV
	HYDRO		CURB INLET WITH BOX		ASPHALT PAVEMENT		DATE COMMITTEE		ELEV 237.452m
	CATV / FIBRE OPTIC		TREE		PAVING STONE		NOTE:		CONSTRUCTION
	TRAFFIC SIGNALS / PIT		TEST HOLE		GRAVEL		LOCATION OF UNDERGROUND STRUCTURES AS SHOWN ARE BASED ON THE BEST INFORMATION AVAILABLE. BUT NO GUARANTEE IS GIVEN THAT ALL EXISTING UTILITIES ARE SHOWN OR THAT THE GIVEN LOCATIONS ARE EXACT. CONFIRMATION OF EXISTENCE AND EXACT LOCATION OF ALL SERVICES MUST BE OBTAINED FROM THE INDIVIDUAL UTILITIES BEFORE PROCEEDING WITH CONSTRUCTION.		REVISIONS
	LAND DRAINAGE SEWER		PROPERTY LINE		RAMP CURBS		DATE		Y/M/MOD
	SANITARY/COMBINED SEWER		SURVEY BAR		PLANING / REMOVAL		DATE		RPB
	SEWER SERV/DRAINAGE CONN		FENCE		LEGEND		DATE		BY
	WATERMAIN		BOC / EDGE OF PAVEMENT		LEGEND		DATE		RPB
	SUBDRAIN		ELEVATION		LEGEND		DATE		RPB
	DITCH		TRAFFIC SIGN		LEGEND		DATE		RPB

DESIGNED BY	RPB	CHECKED BY	JGK
DRAWN BY	DID/DML	APPROVED BY	BWB
HOR. SCALE	1:250	RELEASED FOR CONSTRUCTION	
VERT. SCALE	1:10	DATE	11/06/01
0	ISSUED FOR CONSTRUCTION	11/06/01	RPB
No.	REVISIONS	Y/M/MOD	BY

MORRISON HERSHFIELD

DESIGNED BY: RPB
 CHECKED BY: JGK
 DRAWN BY: DID/DML
 APPROVED BY: BWB
 HOR. SCALE: 1:250
 VERT. SCALE: 1:10
 DATE: 11/06/01

PROFESSIONAL'S SEAL
 PROVINCE OF MANITOBA
 REGISTERED PROFESSIONAL ENGINEER
R.P. BRUCE

THE CITY OF WINNIPEG
 PUBLIC WORKS DEPARTMENT
 ENGINEERING DIVISION

2011 LOCAL STREET RENEWAL PROGRAM
 RIDLEY STREET - RECONSTRUCTION
 RIDLEY PL (S.LEG) TO FAIRLANE AVE
 STA 0+102 TO STA 0+190

CITY DRAWING NUMBER: N/A
 SHEET 28 OF 29
 DRAWING No. 28
 REV 0

BID OPPORTUNITY No. 262-2011