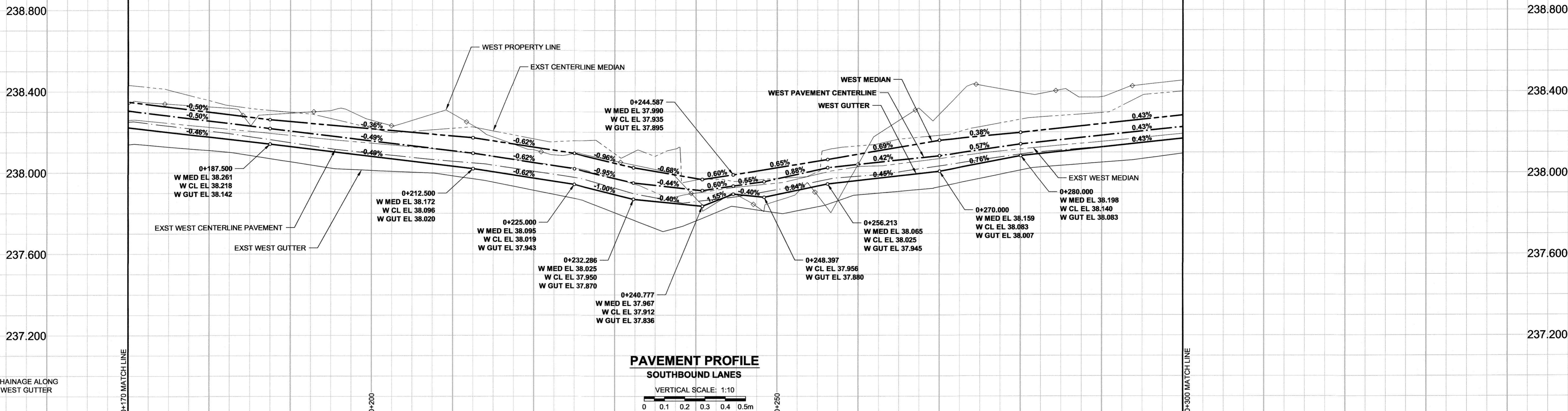
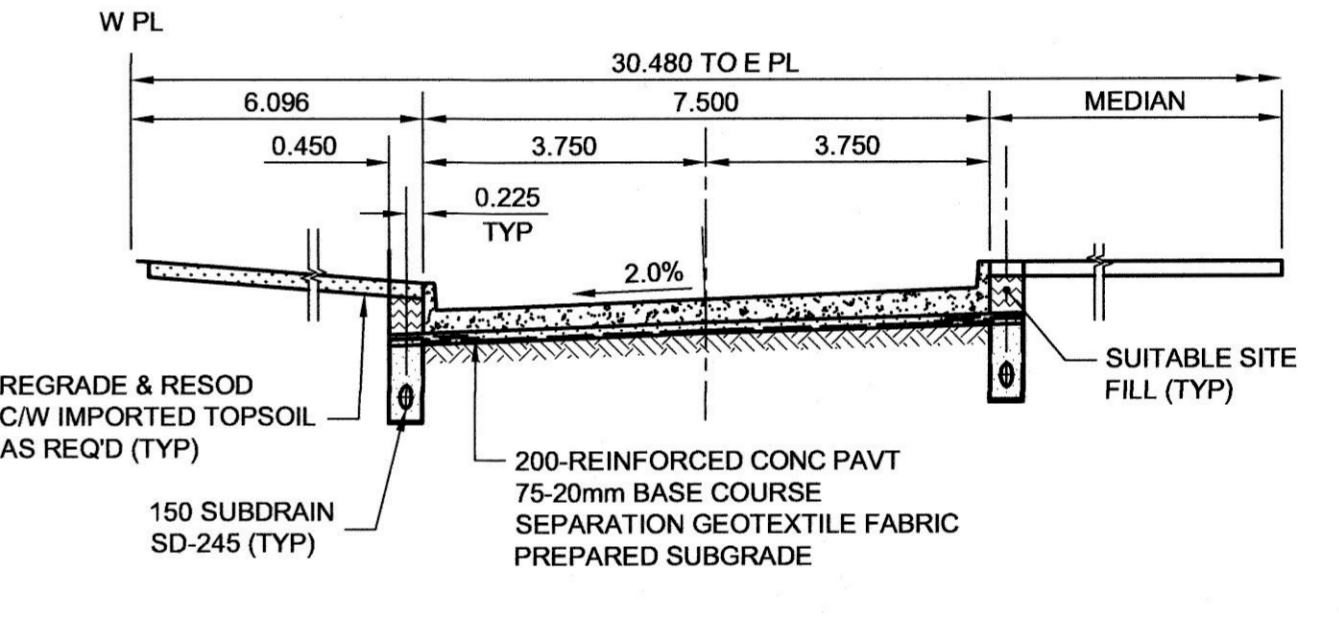
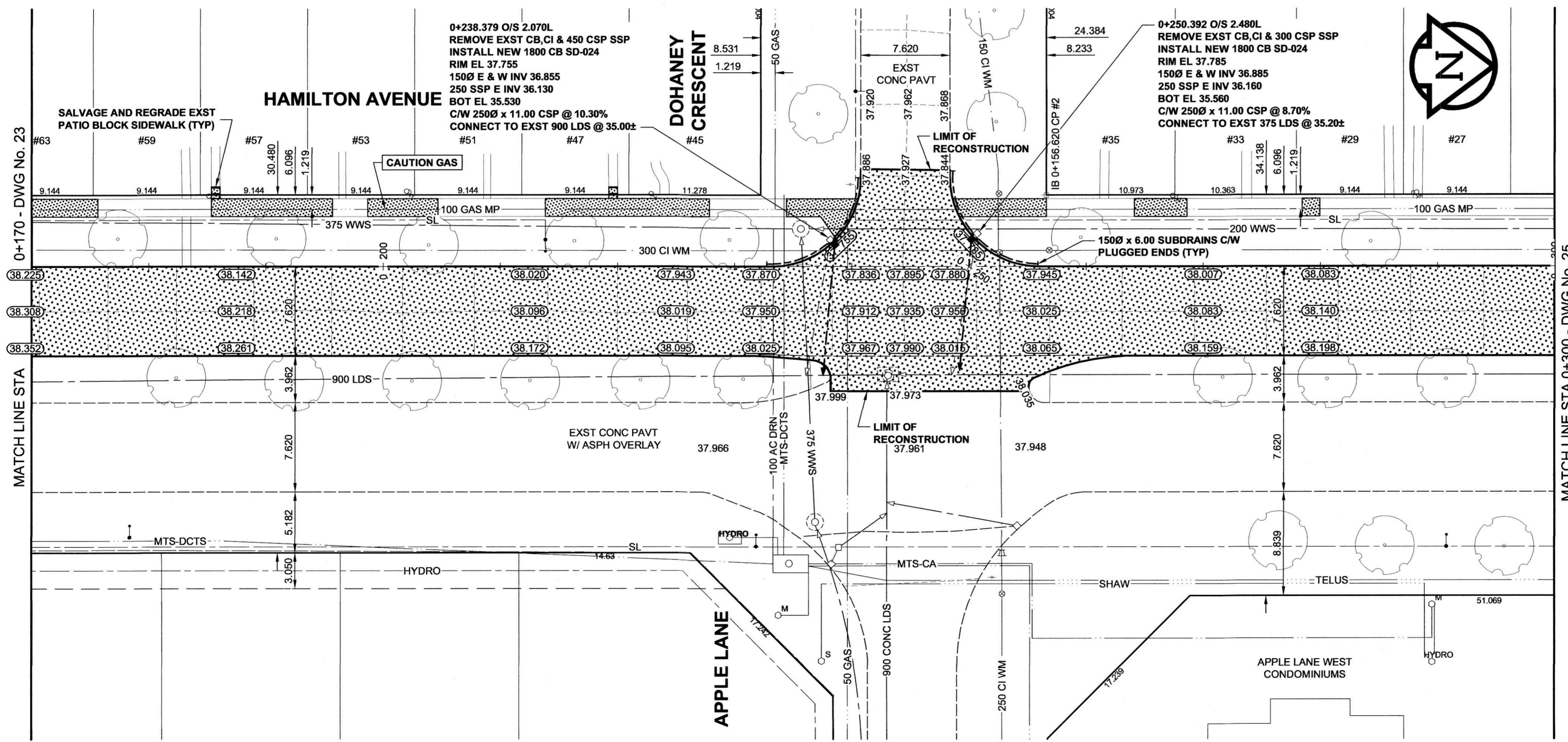


A1 SIZE 594mm x 841mm
PLOT: 6/1/2011 9:47:34 AM
FILE NAME: W11400100-T-024_RX.dwg Saved By: ddoszczod



PAVEMENT PROFILE
SOUTHBOUND LANES
VERTICAL SCALE: 1:10



PAVT SECTION
CONCRETE PAVEMENT STRUCTURE
TYPICAL
SCALE: N.T.S.

- NOTES**
1. ADJUST MH AND CB RIMS TO NEW GRADES.
 2. LAMP STANDARDS, HYDRO POLES, AND ANCHORS MAY REQUIRE TEMPORARY SUPPORT/REMOVAL OR REPLACEMENT AT THE CONTRACTOR'S EXPENSE.
 3. CONTRACTOR SHALL REGRADE/RENEW EXST PRIVATE SIDEWALKS TO LIMITS AS SHOWN. SIDEWALKS TO BE RENEWED WITH CONCRETE UNLESS NOTED OTHERWISE.
 4. CONTRACTOR SHALL TAKE PRECAUTIONARY STEPS TO PROTECT EXISTING TREES WITHIN THE LIMITS OF CONSTRUCTION FROM DAMAGE FROM CONSTRUCTION ACTIVITIES AS OUTLINED IN THE SPECIFICATIONS.
 5. MODIFIED BARRIER CURB TO BE USED AT ALL INTERSECTION RADII, BACK LANE RADII AND BULLNOSES.
 6. THE LOCATION OF ALL SERVICES TO BE CONFIRMED IN THE FIELD BY THE CONTRACTOR.
 7. ADD 200.000m TO ABBREVIATED ELEVATIONS TO OBTAIN GEODETIC ELEVATIONS.

METRIC
WHOLE NUMBERS INDICATE MILLIMETRES
DECIMALIZED NUMBERS INDICATE METRES

	GAS		MANHOLE		CONCRETE PAVEMENT
	MTS		CATCH BASIN / CATCH PIT		CONC SIDEWALK / MEDIAN
	HYDRO		CURB INLET WITH BOX		ASPHALT PAVEMENT
	CATV / FIBRE OPTIC		TREE		PAVING STONE
	TRAFFIC SIGNALS / PIT		PROPERTY LINE		GRAVEL
	LAND DRAINAGE SEWER		SURVEY BAR		RAMP CURB
	SANITARY/COMBINED SEWER		FENCE		PLANING / REMOVAL
	SEWER SERV/DRAINAGE CONN		BOC / EDGE OF PAVEMENT		
	WATERMAIN		ELEVATION		
	SUBDRAIN		TRAFFIC SIGN		
	DITCH				
	EXISTING		NEW		EXISTING
	LEGEND - PLAN		LEGEND - PLAN		LEGEND - PLAN
	LEGEND - PLAN		LEGEND - PLAN		LEGEND - PLAN

LOCATION APPROVED		UNDERGROUND STRUCTURES	
SUPR. U/G STRUCTURES DATE COMMITTEE		DATE	
NOTE: LOCATION OF UNDERGROUND STRUCTURES AS SHOWN ARE BASED ON THE BEST INFORMATION AVAILABLE. BUT NO GUARANTEE IS GIVEN THAT ALL EXISTING UTILITIES ARE SHOWN OR THAT THE GIVEN LOCATIONS ARE EXACT. CONFIRMATION OF EXISTENCE AND EXACT LOCATION OF ALL SERVICES MUST BE OBTAINED FROM THE INDIVIDUAL UTILITIES BEFORE PROCEEDING WITH CONSTRUCTION.			
0	ISSUED FOR CONSTRUCTION	11/06/01	RPB
No.	REVISIONS	YYMMDD	BY

MORRISON HERSHFIELD			
DESIGNED BY	RPB	CHECKED BY	JGK
DRAWN BY	DID/DML	APPROVED BY	BWB
HOR. SCALE	1:250	RELEASED FOR CONSTRUCTION	
VERT. SCALE	1:10	DATE	JUNE 1/11

PROFESSIONAL'S SEAL
PROVINCE OF MANITOBA
R.P. BRUCE
REGISTERED PROFESSIONAL ENGINEER
CONSULTANT DRAWING No. W11400100-T-024_RX.dwg

THE CITY OF WINNIPEG
PUBLIC WORKS DEPARTMENT
ENGINEERING DIVISION

2011 LOCAL STREET RENEWAL PROGRAM
HAMILTON AVE - RECONSTRUCTION
SONNICHSEN PL TO SASKATCHEWAN AVE
STA 0+170 TO STA 0+300

CITY DRAWING NUMBER N/A
SHEET 24 OF 29
DRAWING No. 24
REV 0

BID OPPORTUNITY No. 262-2011