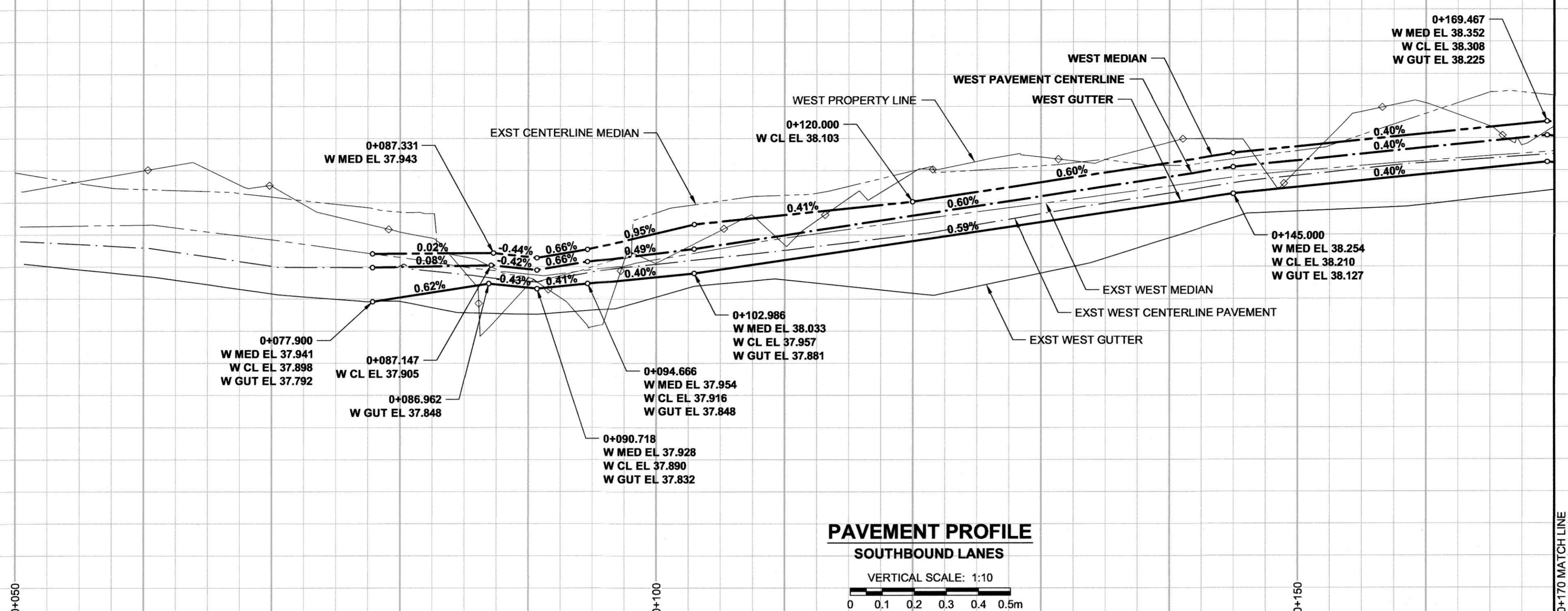


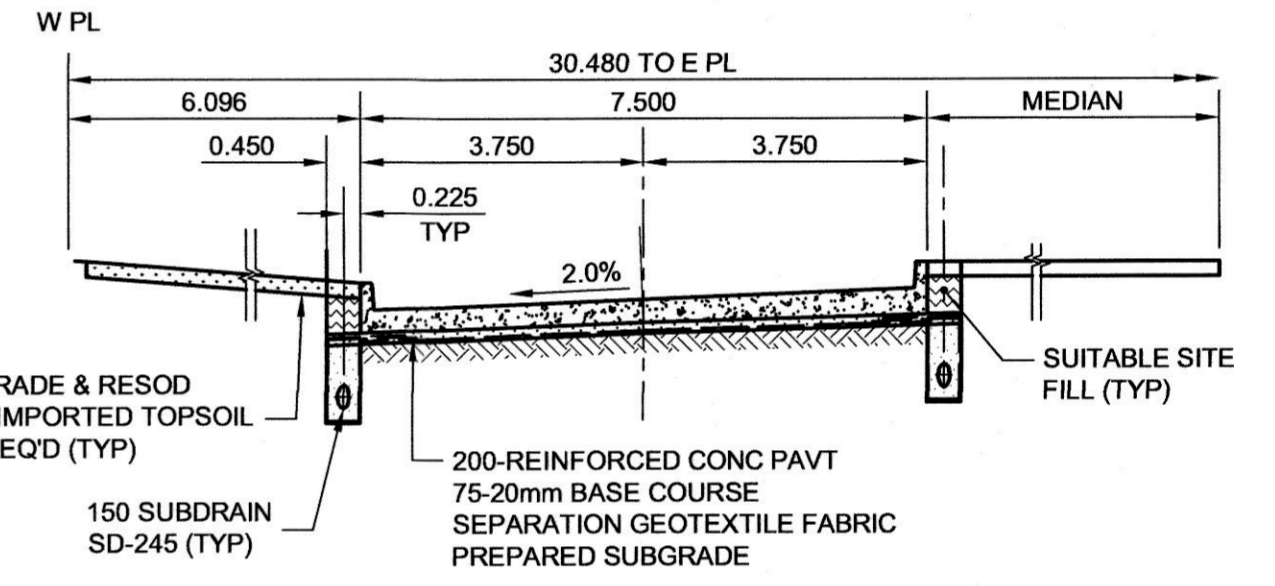
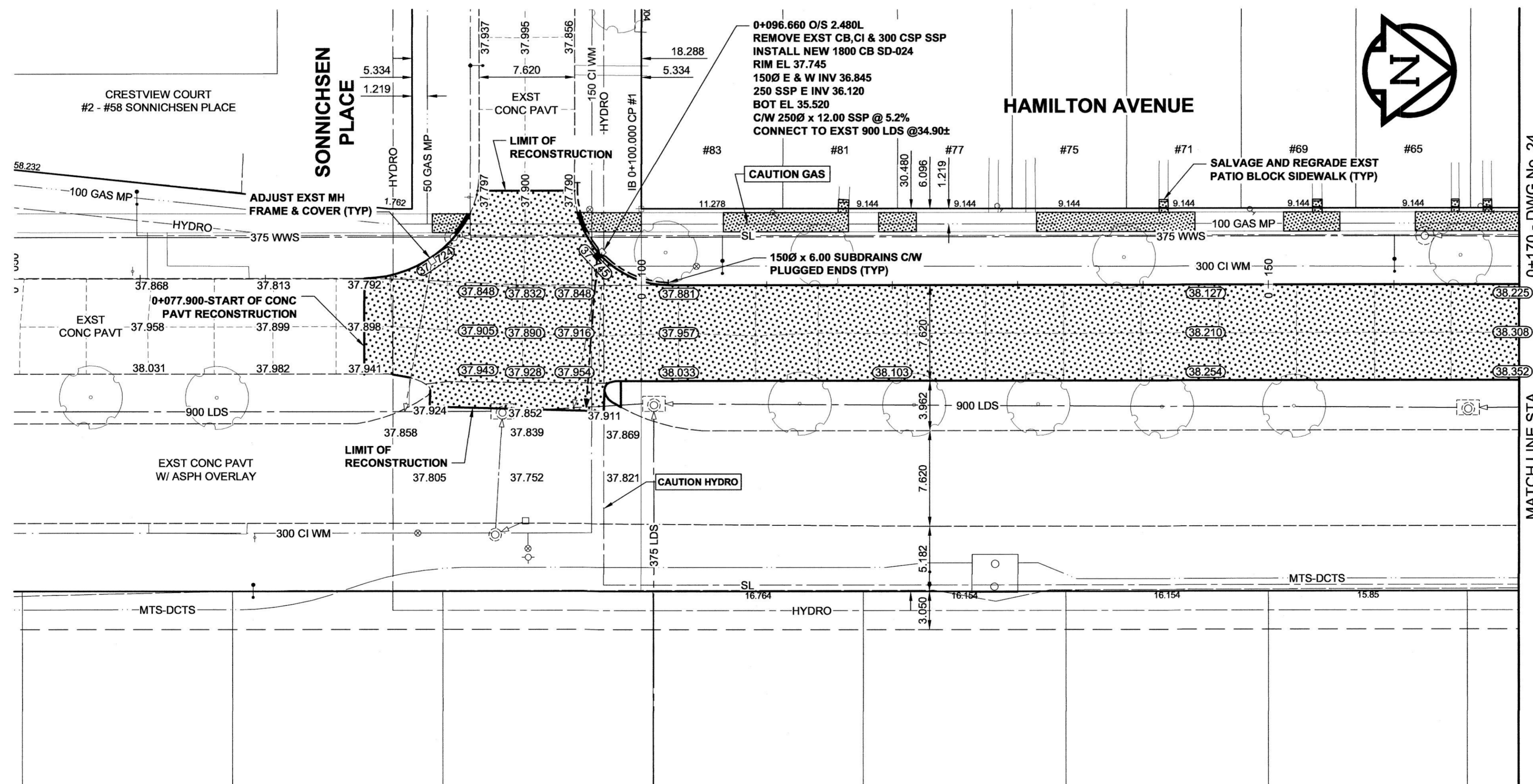
A1 SIZE 594mm x 841mm
PLOT: 6/11/2011 9:42:55 AM
FILE NAME: W11400100-T-023_RX.dwg Saved By: ddboszpod

238.800
238.400
238.000
237.600
237.200

238.800
238.400
238.000
237.600
237.200



PAVEMENT PROFILE
SOUTHBOUND LANES
VERTICAL SCALE: 1:10
0 0.1 0.2 0.3 0.4 0.5m



PAVT SECTION
CONCRETE PAVEMENT STRUCTURE
TYPICAL
SCALE: N.T.S.

- NOTES**
1. ADJUST MH AND CB RIMS TO NEW GRADES.
 2. LAMP STANDARDS, HYDRO POLES, AND ANCHORS MAY REQUIRE TEMPORARY SUPPORT/REMOVAL OR REPLACEMENT AT THE CONTRACTOR'S EXPENSE.
 3. CONTRACTOR SHALL REGRADE/RENEW EXST PRIVATE SIDEWALKS TO LIMITS AS SHOWN. SIDEWALKS TO BE RENEWED WITH CONCRETE UNLESS NOTED OTHERWISE.
 4. CONTRACTOR SHALL TAKE PRECAUTIONARY STEPS TO PROTECT EXISTING TREES WITHIN THE LIMITS OF CONSTRUCTION FROM DAMAGE FROM CONSTRUCTION ACTIVITIES AS OUTLINED IN THE SPECIFICATIONS.
 5. MODIFIED BARRIER CURB TO BE USED AT ALL INTERSECTION RADII, BACK LANE RADII AND BULLNOSES.
 6. THE LOCATION OF ALL SERVICES TO BE CONFIRMED IN THE FIELD BY THE CONTRACTOR.
 7. ADD 200.000m TO ABBREVIATED ELEVATIONS TO OBTAIN GEODETIC ELEVATIONS.

METRIC
WHOLE NUMBERS INDICATE MILLIMETRES
DECIMALIZED NUMBERS INDICATE METRES

	GAS		MANHOLE		CONCRETE PAVEMENT
	MTS		CATCH BASIN / CATCH PIT		CONC SIDEWALK / MEDIAN
	HYDRO		CURB INLET WITH BOX		ASPHALT PAVEMENT
	CATV / FIBRE OPTIC		TREE		PAVING STONE
	TRAFFIC SIGNALS / PIT		TEST HOLE		GRAVEL
	LAND DRAINAGE SEWER		PROPERTY LINE		RAMP CURB
	SANITARY/COMBINED SEWER		SURVEY BAR		PLANING / REMOVAL
	SEWER SERV/DRAINAGE CONN		FENCE		
	WATERMAIN		BOC / EDGE OF PAVEMENT		
	SUBDRAIN		ELEVATION (33.000)		
	DITCH		TRAFFIC SIGN (33.100)		
	EXISTING		LEGEND - PLAN		EXISTING
	NEW		LEGEND - PLAN		NEW

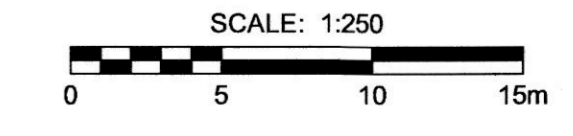
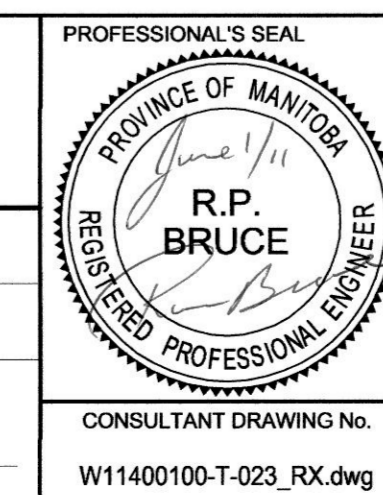
LOCATION APPROVED
UNDERGROUND STRUCTURES

BM GBM No. 40-010
ELEV 239.159m

0 ISSUED FOR CONSTRUCTION 11/06/01 RPB
No. REVISIONS YYMMDD BY

MORRISON HERSHFELD

DESIGNED BY	RPB	CHECKED BY	JGK
DRAWN BY	DID/DML	APPROVED BY	BWB
HOR. SCALE	1:250	RELEASED FOR CONSTRUCTION	
VERT. SCALE	1:10	DATE	11/06/01



THE CITY OF WINNIPEG
PUBLIC WORKS DEPARTMENT
ENGINEERING DIVISION

2011 LOCAL STREET RENEWAL PROGRAM
HAMILTON AVE - RECONSTRUCTION
SONNICHSEN PL TO SASKATCHEWAN AVE
STA 0+077 TO STA 0+170

CITY DRAWING NUMBER N/A
SHEET 23 OF 29
DRAWING No. 23
REV 0

BID OPPORTUNITY No. 262-2011