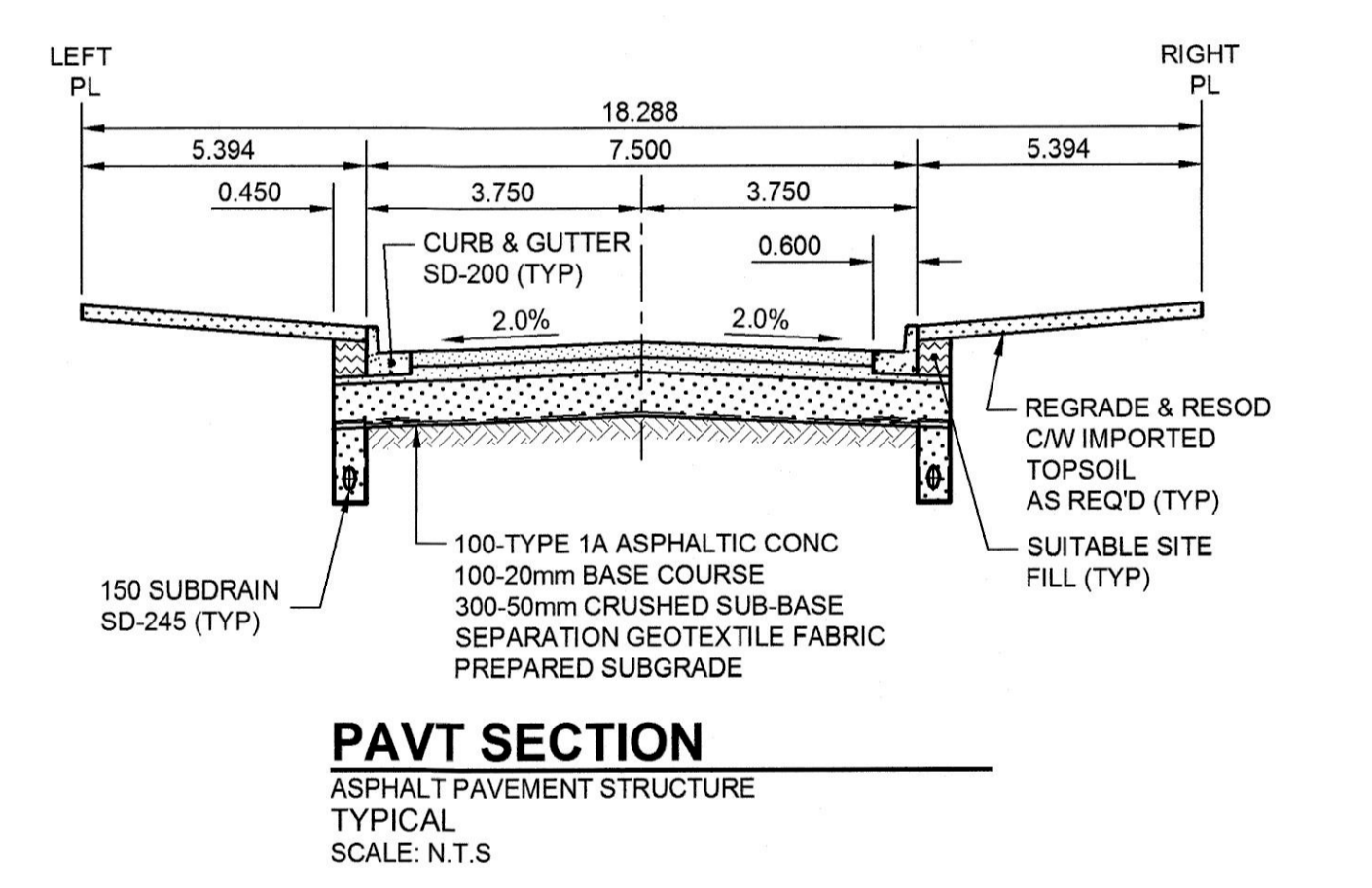
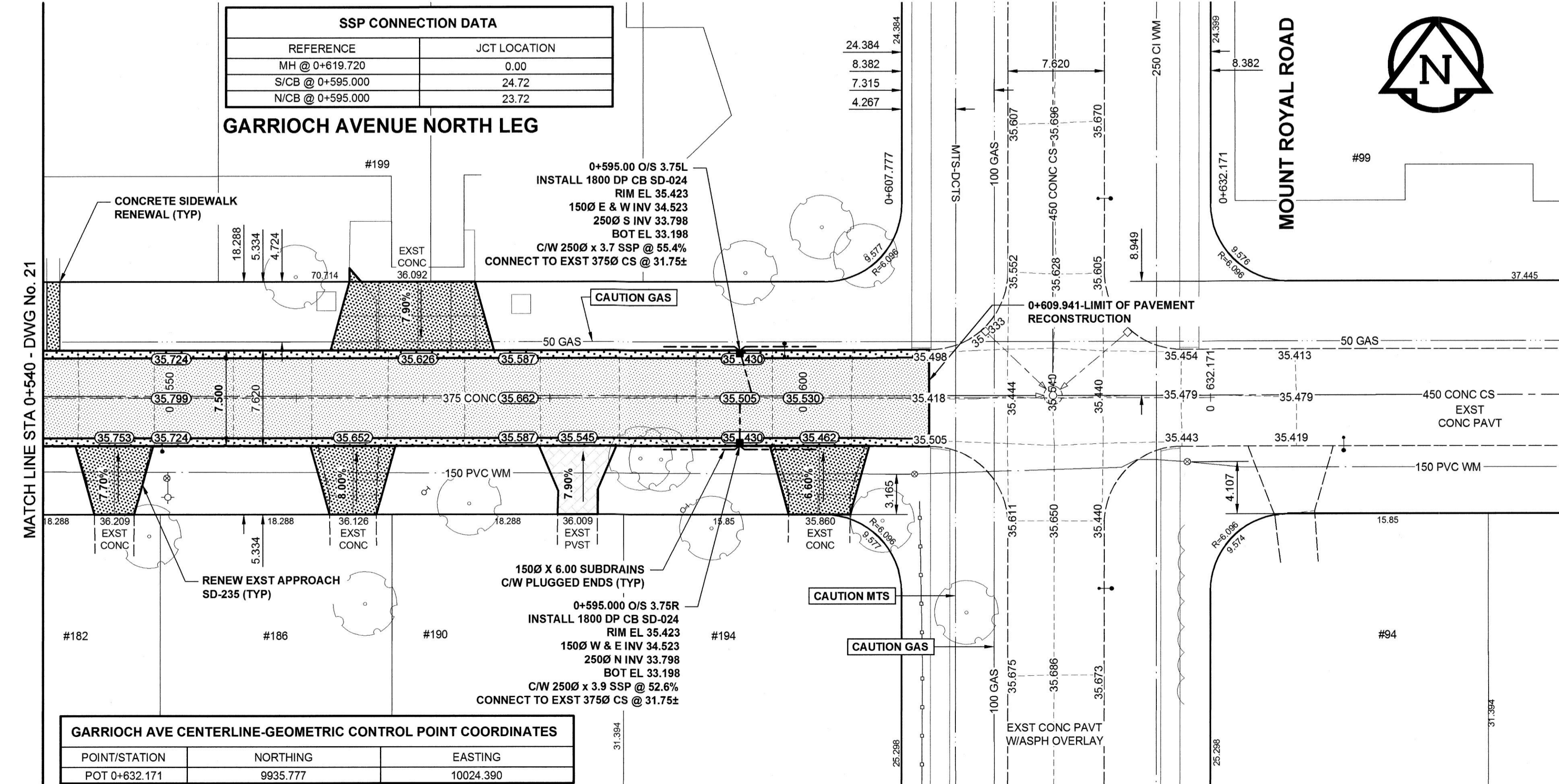
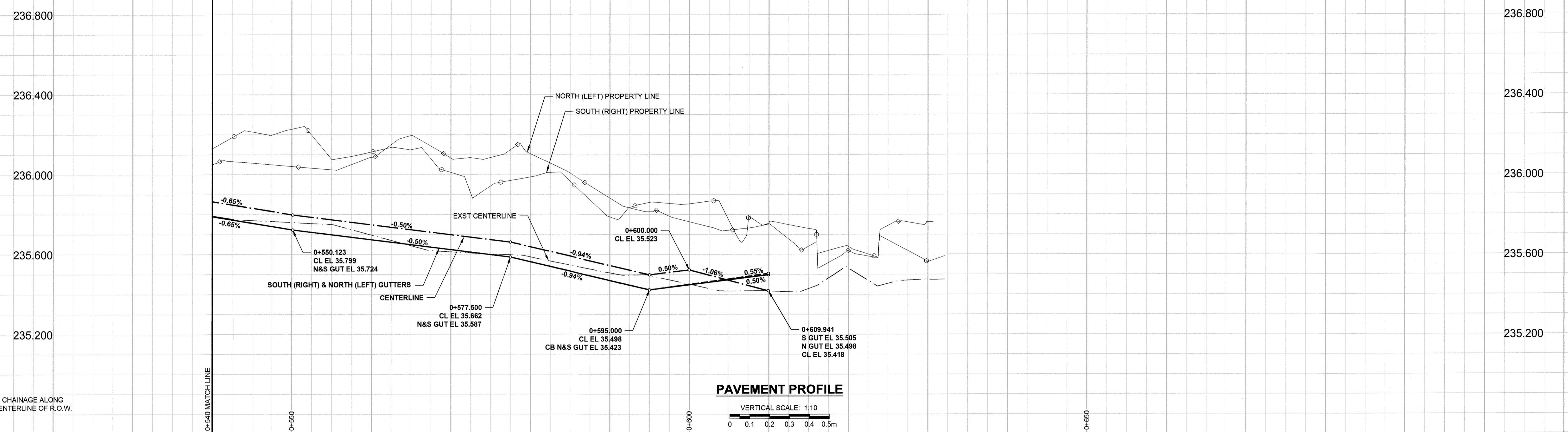


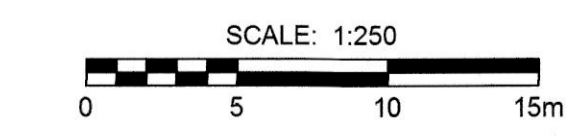
A1 SIZE 594mm x 841mm

FILE NAME: W11400100-T-022_RX.dwg Saved By: dlane

DATE: 11/06/01



- NOTES**
1. ADJUST MH AND CB RIMS TO NEW GRADES.
 2. LAMP STANDARDS, HYDRO POLES, AND ANCHORS MAY REQUIRE TEMPORARY SUPPORT/REMOVAL OR REPLACEMENT AT THE CONTRACTOR'S EXPENSE.
 3. CONTRACTOR SHALL REGRADE/RENEW EXST PRIVATE SIDEWALKS TO LIMITS AS SHOWN. SIDEWALKS TO BE RENEWED WITH CONCRETE UNLESS NOTED OTHERWISE.
 4. CONTRACTOR SHALL TAKE PRECAUTIONARY STEPS TO PROTECT EXISTING TREES WITHIN THE LIMITS OF CONSTRUCTION FROM DAMAGE FROM CONSTRUCTION ACTIVITIES AS OUTLINED IN THE SPECIFICATIONS.
 5. MODIFIED BARRIER CURB TO BE USED AT ALL INTERSECTION RADII, BACK LANE RADII AND BULLNOSES.
 6. THE LOCATION OF ALL SERVICES TO BE CONFIRMED IN THE FIELD BY THE CONTRACTOR.
 7. ADD 200.000m TO ABBREVIATED ELEVATIONS TO OBTAIN GEODETIC ELEVATIONS.



APEGM
Certificate of Authorization
MORRISON HERSHFIELD
No. 1736 Date: June 11/11

BID OPPORTUNITY No. 262-2011

EXISTING	LEGEND - PLAN	NEW	EXISTING	LEGEND - PLAN	NEW	EXISTING	LEGEND - PLAN	NEW	
	GAS		MTS		MANHOLE		CONCRETE PAVEMENT		LOCATION APPROVED
	HYDRO		CATCH BASIN / CATCH PIT		CONC SIDEWALK / MEDIAN		CONC SIDEWALK / MEDIAN		DATE
	CATV / FIBRE OPTIC		CURB INLET WITH BOX		ASPHALT PAVEMENT		ASPHALT PAVEMENT		DATE
	TRAFFIC SIGNALS / PIT		TREE		PAVING STONE		PAVING STONE		DATE
	LAND DRAINAGE SEWER		TEST HOLE		GRAVEL		GRAVEL		DATE
	SANITARY/COMBINED SEWER		PROPERTY LINE		RAMP CURB		RAMP CURB		DATE
	SEWER SERV/DRAINAGE CONN		SURVEY BAR		PLANING / REMOVAL		PLANING / REMOVAL		DATE
	WATERMAIN		FENCE		DATE		DATE		DATE
	SUBDRAIN		BOC / EDGE OF PAVEMENT		DATE		DATE		DATE
	DITCH		ELEVATION		DATE		DATE		DATE
	DITCH		TRAFFIC SIGN		DATE		DATE		DATE

DESIGNED BY	CHECKED BY	DATE
RPB	JGK	
DRAWN BY	APPROVED BY	DATE
DID/DML	BWB	
HOR. SCALE	VERT. SCALE	DATE
1:250	1:10	11/06/01
ISSUED FOR CONSTRUCTION	REVISIONS	BY
0	11/06/01	RPB
	Y1/MDD	

MORRISON HERSHFIELD

DESIGNED BY: RPB
CHECKED BY: JGK
DRAWN BY: DID/DML
APPROVED BY: BWB

HOR. SCALE: 1:250
VERT. SCALE: 1:10

DATE: 11/06/01

PROFESSIONAL'S SEAL

PROVINCE OF MANITOBA

R.P. BRUCE

REGISTERED PROFESSIONAL ENGINEER

CONSULTANT DRAWING No. W11400100-T-022_RX.dwg

THE CITY OF WINNIPEG
PUBLIC WORKS DEPARTMENT
ENGINEERING DIVISION

2011 LOCAL STREET RENEWAL PROGRAM

GARRIOCH AVE - RECONSTRUCTION
MOUNT ROYAL RD TO MOUNT ROYAL RD

STA 0+540 TO STA 0+609

CITY DRAWING NUMBER: N/A
SHEET: 22 OF 29
DRAWING No.: 22
REV: 0