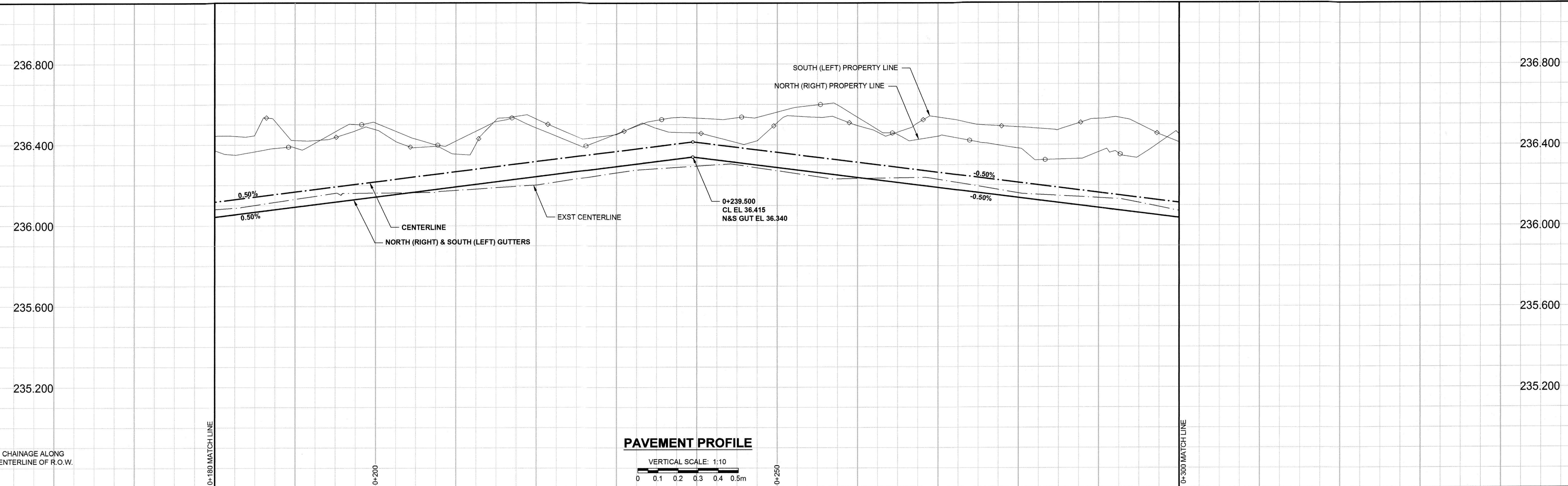


A1 SIZE 594mm x 841mm

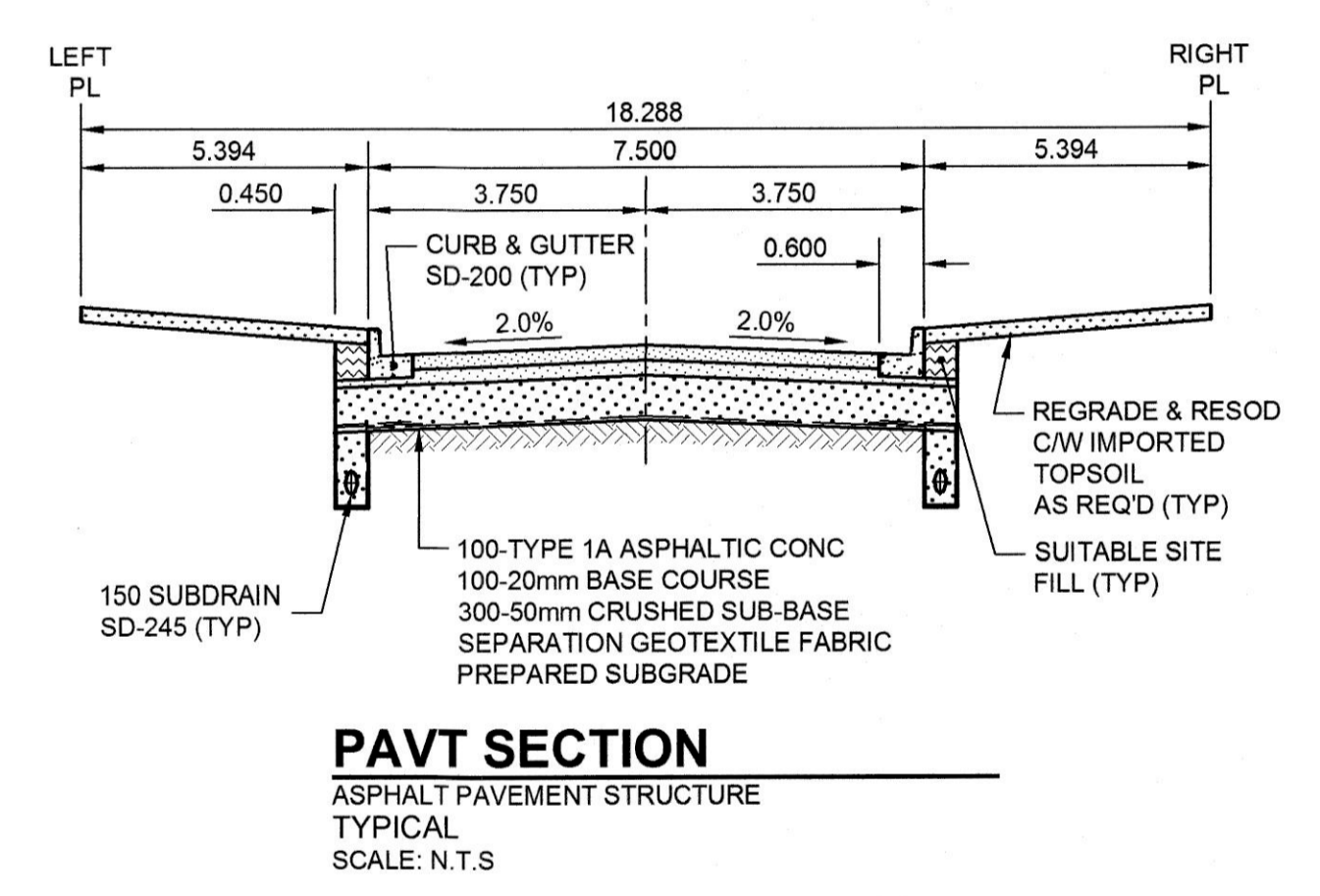
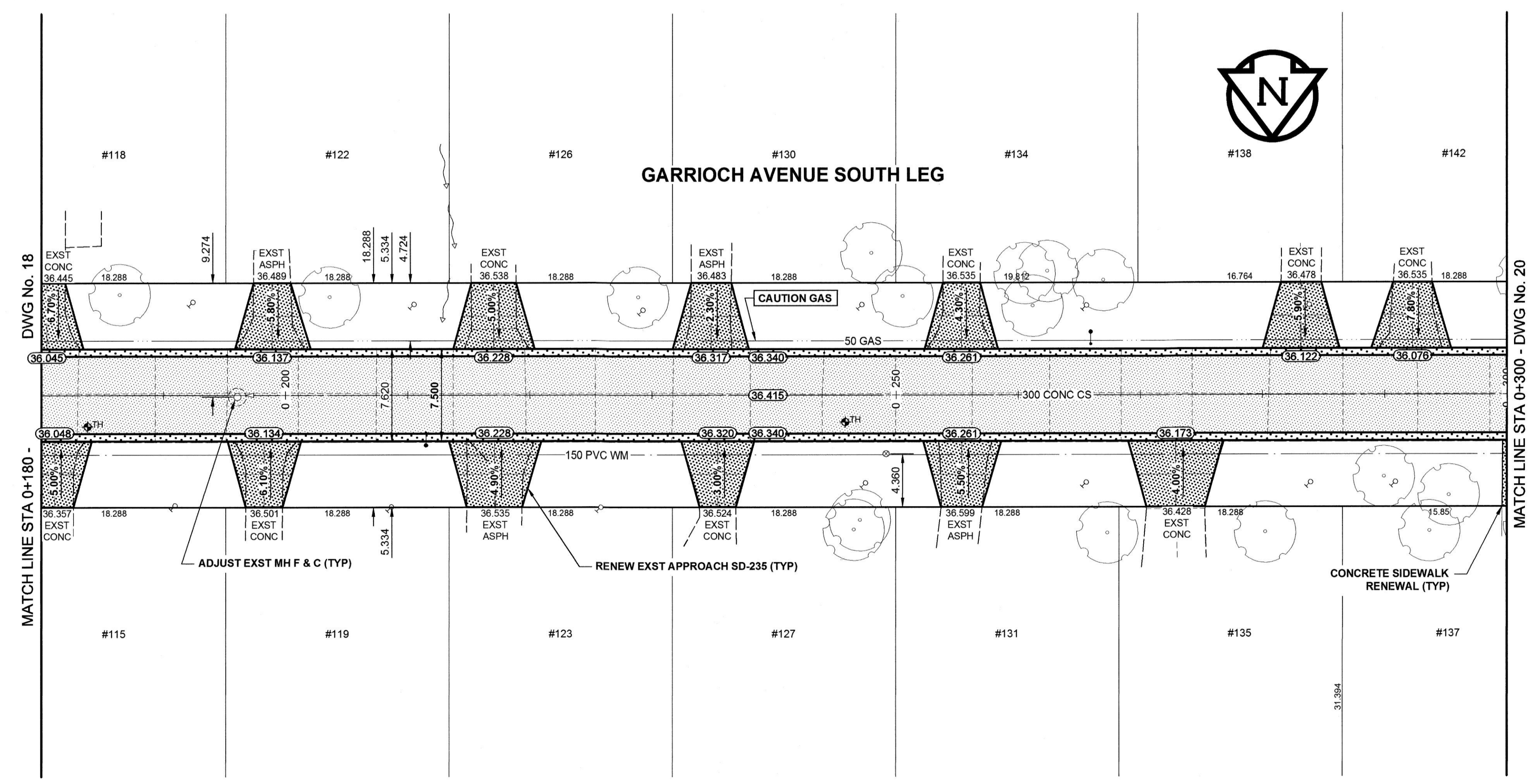
PLT: 5/31/2011 3:08:13 PM

FILE NAME: W11400100-T-019_RX.dwg Saved By: diane



CHAINAGE ALONG CENTERLINE OF R.O.W.

PAVEMENT PROFILE
VERTICAL SCALE: 1:10



PAVT SECTION
ASPHALT PAVEMENT STRUCTURE TYPICAL
SCALE: N.T.S.

- NOTES**
1. ADJUST MH AND CB RIMS TO NEW GRADES.
 2. LAMP STANDARDS, HYDRO POLES, AND ANCHORS MAY REQUIRE TEMPORARY SUPPORT/REMOVAL OR REPLACEMENT AT THE CONTRACTOR'S EXPENSE.
 3. CONTRACTOR SHALL REGRADE/RENEW EXST PRIVATE SIDEWALKS TO LIMITS AS SHOWN. SIDEWALKS TO BE RENEWED WITH CONCRETE UNLESS NOTED OTHERWISE.
 4. CONTRACTOR SHALL TAKE PRECAUTIONARY STEPS TO PROTECT EXISTING TREES WITHIN THE LIMITS OF CONSTRUCTION FROM DAMAGE FROM CONSTRUCTION ACTIVITIES AS OUTLINED IN THE SPECIFICATIONS.
 5. MODIFIED BARRIER CURBS TO BE USED AT ALL INTERSECTION RADII, BACK LANE RADII AND BULLNOSES.
 6. THE LOCATION OF ALL SERVICES TO BE CONFIRMED IN THE FIELD BY THE CONTRACTOR.
 7. ADD 200.000m TO ABBREVIATED ELEVATIONS TO OBTAIN GEODETIC ELEVATIONS.

METRIC
WHOLE NUMBERS INDICATE MILLIMETRES
DECIMALIZED NUMBERS INDICATE METRES

	GAS		MANHOLE		CONCRETE PAVEMENT
	MTS		CATCH BASIN / CATCH PIT		CONC SIDEWALK / MEDIAN
	HYDRO		CURB INLET WITH BOX		ASPHALT PAVEMENT
	CATV / FIBRE OPTIC		TREE		PAVING STONE
	TRAFFIC SIGNALS / PIT		TEST HOLE		GRAVEL
	LAND DRAINAGE SEWER		PROPERTY LINE		RAMP CURB
	SANITARY/COMBINED SEWER		SURVEY BAR		PLANING / REMOVAL
	SEWER SERV/DRAINAGE CONN		FENCE		
	WATERMAIN		BOC / EDGE OF PAVEMENT		
	SUBDRAIN		ELEVATION		
	DITCH		TRAFFIC SIGN		
	EXISTING		LEGEND - PLAN		NEW

LOCATION APPROVED UNDERGROUND STRUCTURES

DATE: _____

NOTE: LOCATION OF UNDERGROUND STRUCTURES AS SHOWN ARE BASED ON THE BEST INFORMATION AVAILABLE. BUT NO GUARANTEE IS GIVEN THAT ALL EXISTING UTILITIES ARE SHOWN OR THAT THE GIVEN LOCATIONS ARE EXACT. CONFIRMATION OF EXISTENCE AND EXACT LOCATION OF ALL SERVICES MUST BE OBTAINED FROM THE INDIVIDUAL UTILITIES BEFORE PROCEEDING WITH CONSTRUCTION.

DESIGNED BY: RPB
CHECKED BY: JGK
DRAWN BY: DID/DML
APPROVED BY: BWB

HOR. SCALE: 1:250
VERT. SCALE: 1:10

RELEASED FOR CONSTRUCTION: *[Signature]*
DATE: June 1/11

PROFESSIONAL'S SEAL
R.P. BRUCE
REGISTERED PROFESSIONAL ENGINEER

THE CITY OF WINNIPEG
PUBLIC WORKS DEPARTMENT
ENGINEERING DIVISION

2011 LOCAL STREET RENEWAL PROGRAM

GARRIOCH AVE - RECONSTRUCTION
MOUNT ROYAL RD TO MOUNT ROYAL RD
STA 0+180 TO STA 0+300

CITY DRAWING NUMBER: N/A
SHEET: 19 OF 29
DRAWING No.: 19
REV: 0

BID OPPORTUNITY No. 262-2011