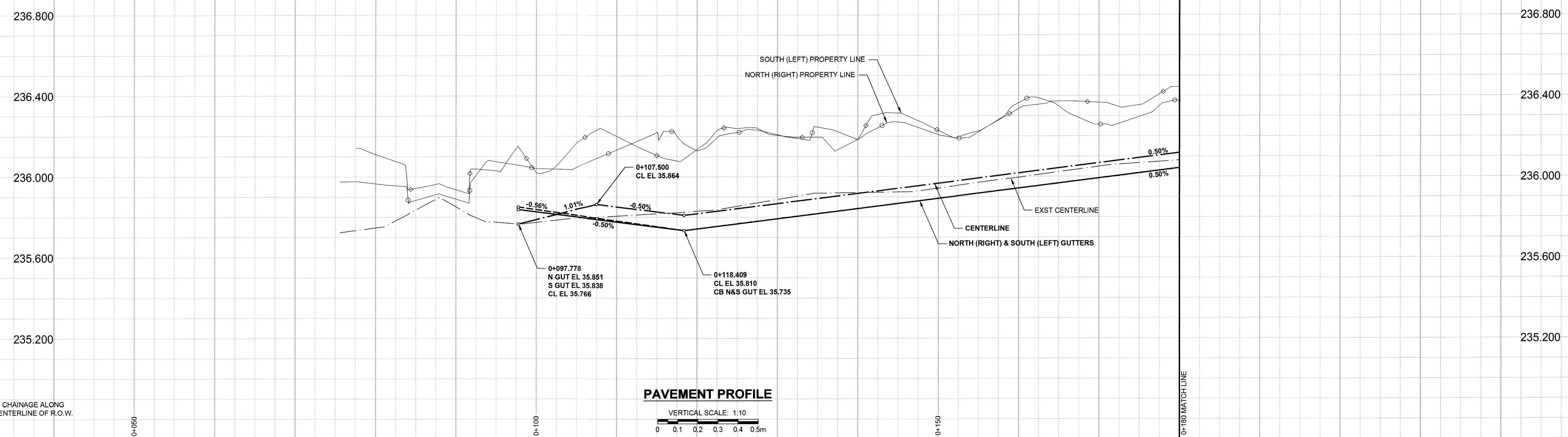
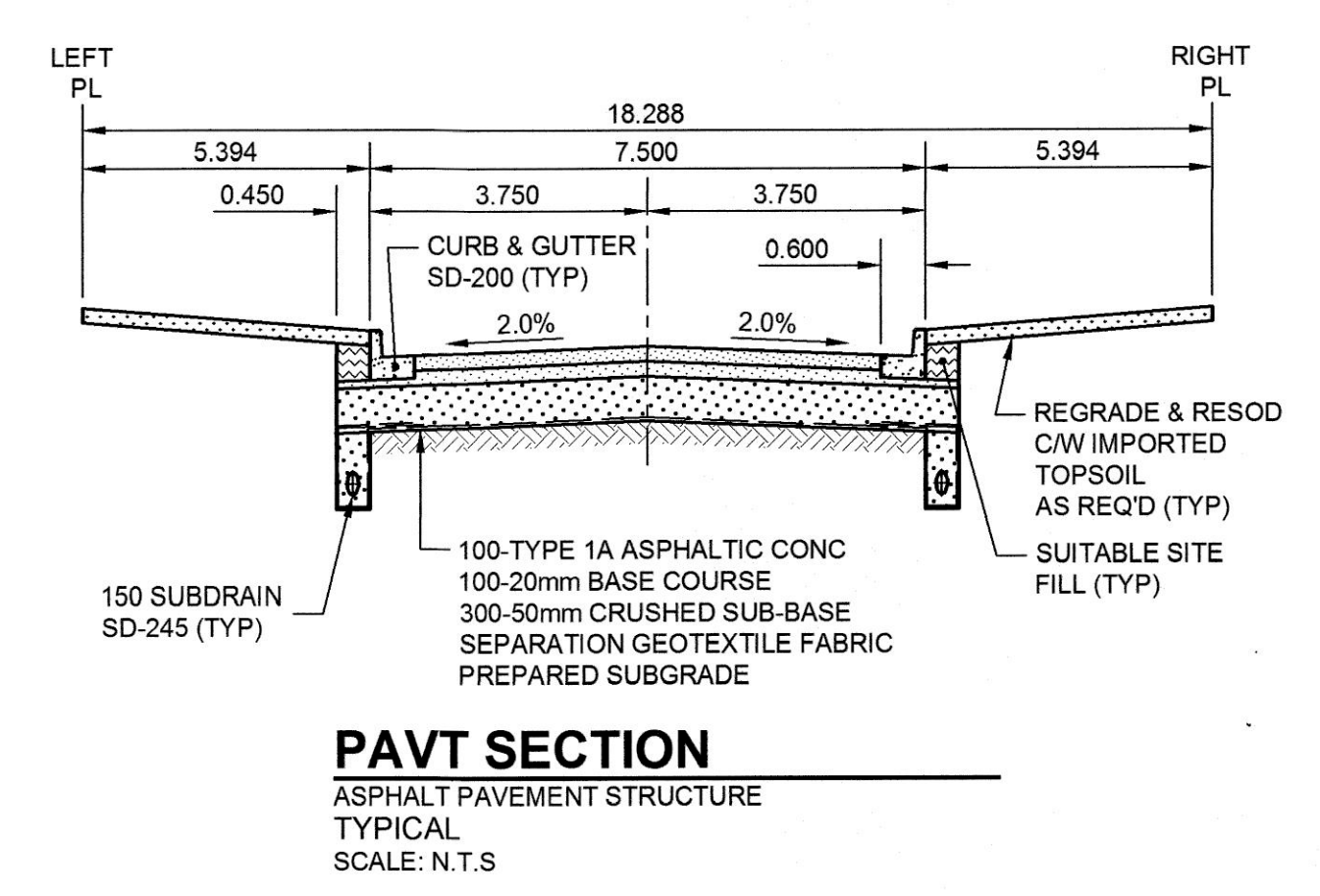
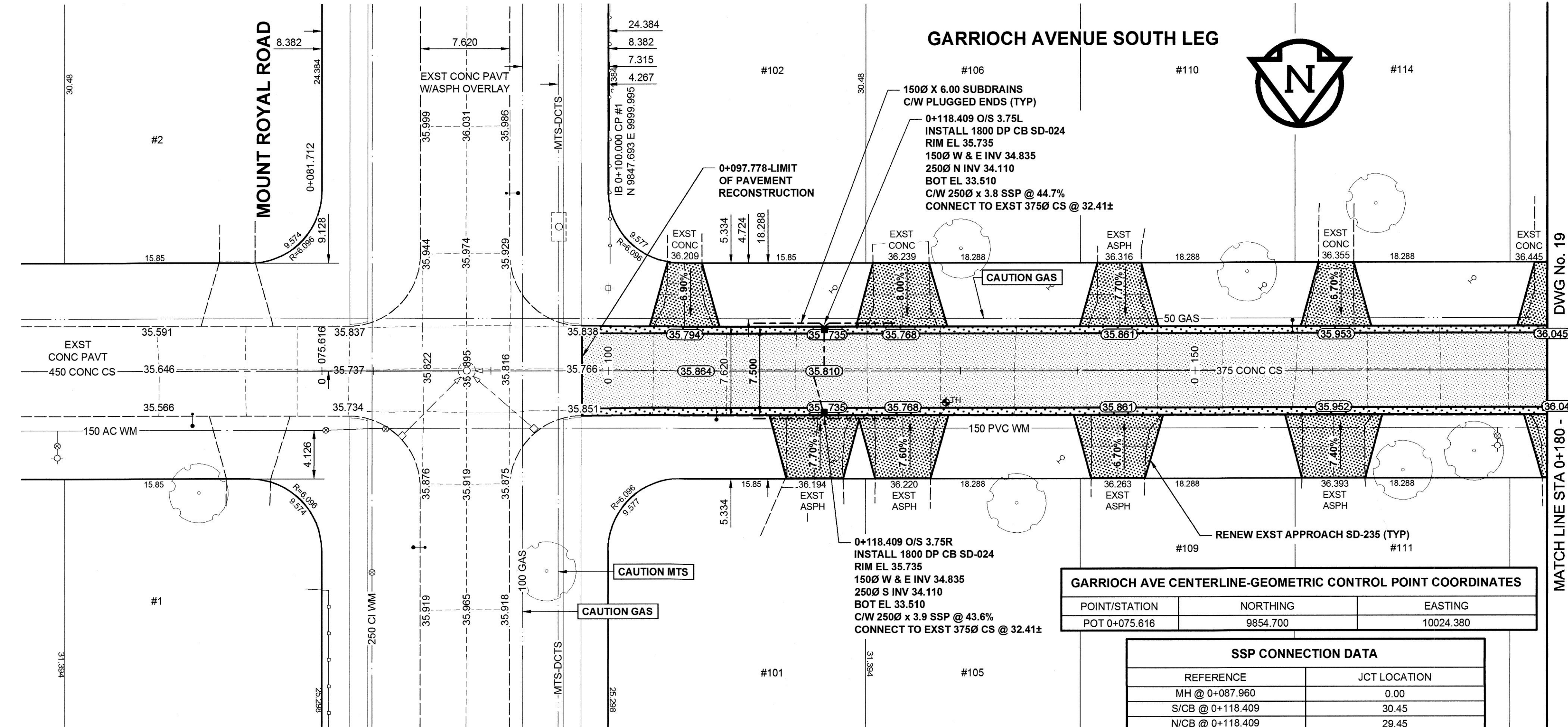


A1 SIZE 594mm x 841mm



PAVEMENT PROFILE
VERTICAL SCALE: 1:10
0 0.1 0.2 0.3 0.4 0.5m

FILE NAME: W11400100-T-018_RX.dwg Saved By: diane



PAVT SECTION
ASPHALT PAVEMENT STRUCTURE TYPICAL
SCALE: N.T.S.

- NOTES**
1. ADJUST MH AND CB RIMS TO NEW GRADES.
 2. LAMP STANDARDS, HYDRO POLES, AND ANCHORS MAY REQUIRE TEMPORARY SUPPORT/REMOVAL OR REPLACEMENT AT THE CONTRACTOR'S EXPENSE.
 3. CONTRACTOR SHALL REGRADE/RENEW EXST PRIVATE SIDEWALKS TO LIMITS AS SHOWN. SIDEWALKS TO BE RENEWED WITH CONCRETE UNLESS NOTED OTHERWISE.
 4. CONTRACTOR SHALL TAKE PRECAUTIONARY STEPS TO PROTECT EXISTING TREES WITHIN THE LIMITS OF CONSTRUCTION FROM DAMAGE FROM CONSTRUCTION ACTIVITIES AS OUTLINED IN THE SPECIFICATIONS.
 5. MODIFIED BARRIER CURB TO BE USED AT ALL INTERSECTION RADII, BACK LANE RADII AND BULLNOSES.
 6. THE LOCATION OF ALL SERVICES TO BE CONFIRMED IN THE FIELD BY THE CONTRACTOR.
 7. ADD 200.000m TO ABBREVIATED ELEVATIONS TO OBTAIN GEODETIC ELEVATIONS.

GARRIOCH AVE CENTERLINE-GEOMETRIC CONTROL POINT COORDINATES

POINT/STATION	NORTHING	EASTING
POT 0+075.616	9854.700	10024.380

SSP CONNECTION DATA

REFERENCE	JCT LOCATION
MH @ 0+087.960	0.00
S/CB @ 0+118.409	30.45
N/CB @ 0+118.409	29.45

METRIC
WHOLE NUMBERS INDICATE MILLIMETRES
DECIMALIZED NUMBERS INDICATE METRES

EXISTING	LEGEND - PLAN	NEW	EXISTING	LEGEND - PLAN	NEW	EXISTING	LEGEND - PLAN	NEW	
	GAS		MANHOLE		CONCRETE PAVEMENT		LOCATION APPROVED		BM
	MTS		CATCH BASIN / CATCH PIT		CONC SIDEWALK / MEDIAN		SUPR. U/G STRUCTURES		GBM
	HYDRO		CURB INLET WITH BOX		ASPHALT PAVEMENT		DATE		ELEV
	CATV / FIBRE OPTIC		TREE		PAVING STONE		NOTE:		ISSUED FOR CONSTRUCTION
	TRAFFIC SIGNALS / PIT		TEST HOLE		GRAVEL		LOCATION OF UNDERGROUND STRUCTURES		REVISIONS
	LAND DRAINAGE SEWER		PROPERTY LINE		RAMP CURB		CONFIRMATION OF EXISTENCE AND EXACT LOCATION OF ALL SERVICES MUST BE OBTAINED FROM THE INDIVIDUAL UTILITIES BEFORE PROCEEDING WITH CONSTRUCTION.		DATE
	SANITARY/COMBINED SEWER		SURVEY BAR		PLANING / REMOVAL		DATE		DATE
	SEWER SERV/DRAINAGE CONN		FENCE		LEGEND - PLAN		DATE		DATE
	WATERMAIN		BOC / EDGE OF PAVEMENT		LEGEND - PLAN		DATE		DATE
	SUBDRAIN		ELEVATION		LEGEND - PLAN		DATE		DATE
	DITCH		TRAFFIC SIGN		LEGEND - PLAN		DATE		DATE

LOCATION APPROVED UNDERGROUND STRUCTURES

SUPR. U/G STRUCTURES	DATE

NOTE:
LOCATION OF UNDERGROUND STRUCTURES AS SHOWN ARE BASED ON THE BEST INFORMATION AVAILABLE. BUT NO GUARANTEE IS GIVEN THAT ALL EXISTING UTILITIES ARE SHOWN OR THAT THE GIVEN LOCATIONS ARE EXACT. CONFIRMATION OF EXISTENCE AND EXACT LOCATION OF ALL SERVICES MUST BE OBTAINED FROM THE INDIVIDUAL UTILITIES BEFORE PROCEEDING WITH CONSTRUCTION.

MORRISON HERSHFELD

DESIGNED BY	RPB	CHECKED BY	JGK
DRAWN BY	DID/DML	APPROVED BY	BWB
HOR. SCALE	1:250	RELEASED FOR CONSTRUCTION	<i>K.A. Ludo</i>
VERT. SCALE	1:10	DATE	JUNE 1/11
DATE	11/06/01		

PROFESSIONAL'S SEAL
PROVINCE OF MANITOBA
REGISTERED PROFESSIONAL ENGINEER
R.P. BRUCE

THE CITY OF WINNIPEG
PUBLIC WORKS DEPARTMENT
ENGINEERING DIVISION

2011 LOCAL STREET RENEWAL PROGRAM

GARRIOCH AVE - RECONSTRUCTION
MOUNT ROYAL RD TO MOUNT ROYAL RD
STA 0+100 TO STA 0+180

CITY DRAWING NUMBER	N/A
SHEET	18 OF 29
DRAWING No.	18
REV	0

BID OPPORTUNITY No. 262-2011