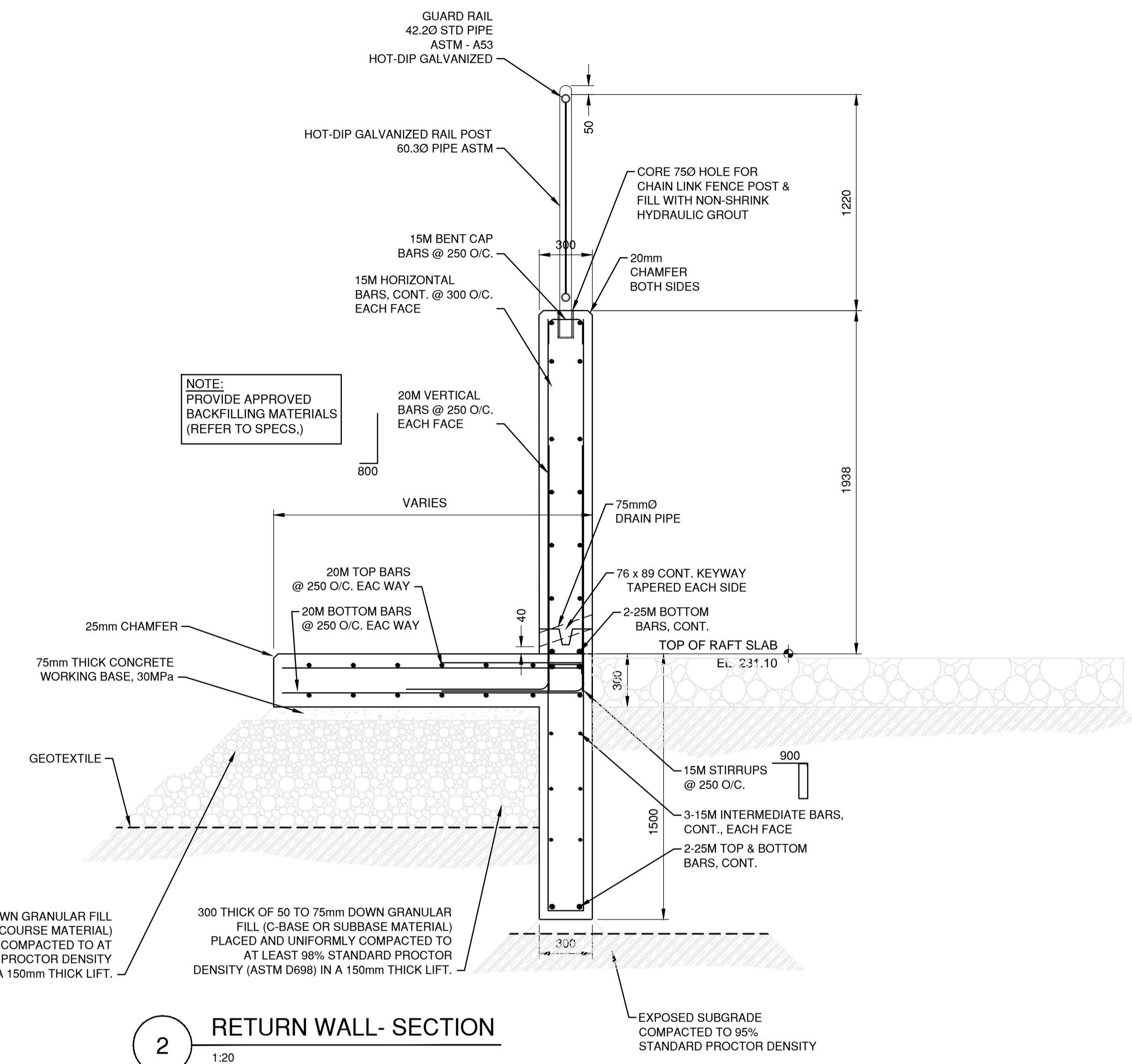
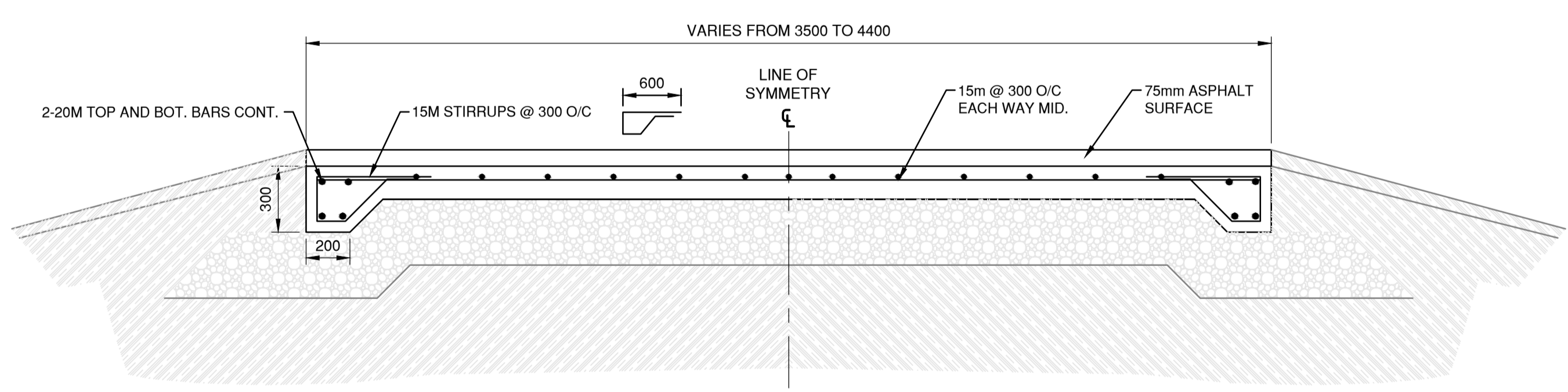


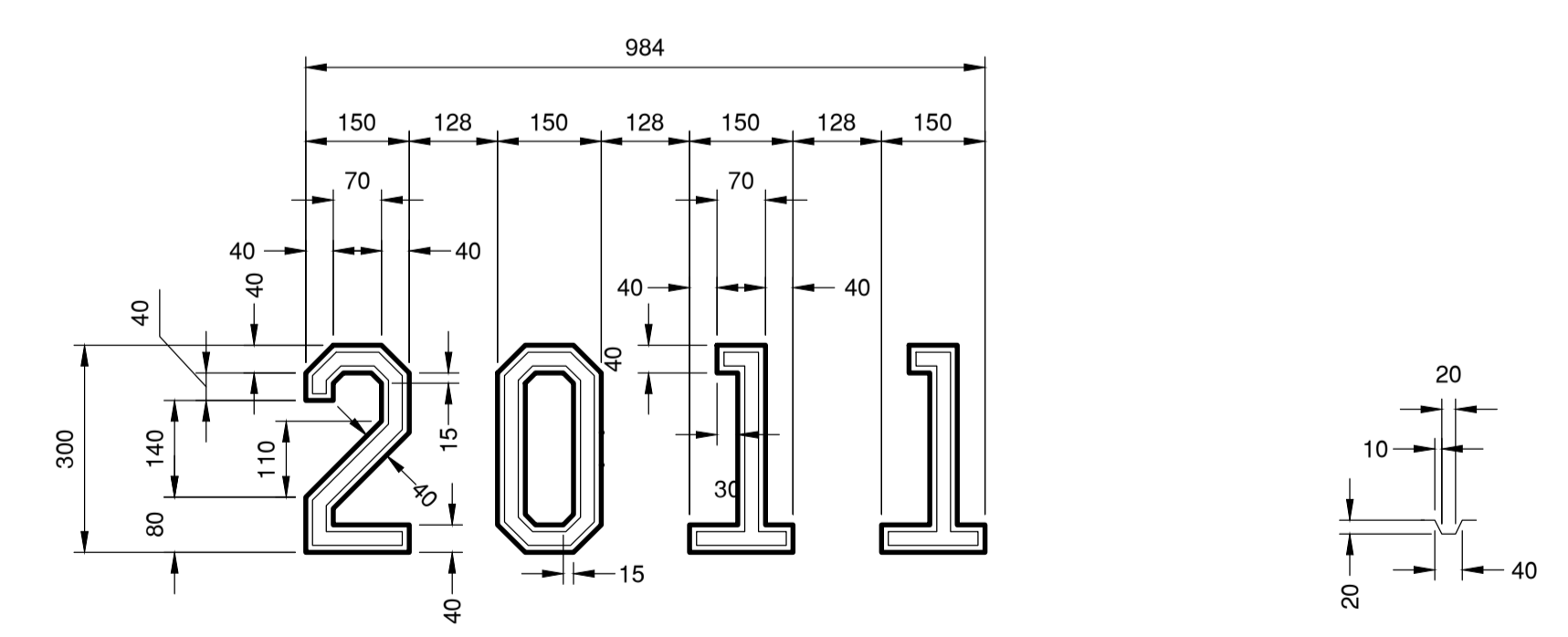
1 WINGWALL- SECTION  
1:20



2 RETURN WALL- SECTION  
1:20



3 APPROACH SLAB- SECTION  
1:20



4 DATE DETAIL  
1:10

METRIC  
WHOLE NUMBERS INDICATE MILLIMETRES  
DECIMALIZED NUMBERS INDICATE METRES

**APEGM**  
Certificate of Authorization  
Genivar Consultants Limited Partnership  
No. 4318 Expiry: April 30, 2011

EXISTING	LEGEND - PLAN	PROPOSED	EXISTING	LEGEND - PLAN	PROPOSED	EXISTING	LEGEND - PROFILE	PROPOSED
	WATERMAIN			HYDRO			CENTER LINE	
	HYDRANT			M.T.S.			NORTH GUTTER LINE	
	VALVE			CONCRETE			SOUTH GUTTER LINE	
	LAND DRAINAGE SEWER			ASPHALT			WATERMAIN	
	WASTE WATER SEWER			PROPERTY LINE			VALVE	
	MANHOLE			SURVEY BAR			LAND DRAINAGE SEWER	
	CATCH BASIN			CURB STOP			WASTE WATER SEWER	
	CURB INLET			C.B. LEAD			JUNCTIONS	
	TRAFFIC SIGNAL			SIDEWALK			CULVERT	
	STEAM HT.			SIDEWALK RAMP			ASPH./CONC. PAD	
	GAS			ELEVATIONS			GARAGE PAD	

LOCATION APPROVED

SUPV. U/G STRUCTURES DATE COMMITTEE

NOTE:  
LOCATION OF UNDERGROUND STRUCTURES AS SHOWN ARE BASED ON THE BEST INFORMATION AVAILABLE BUT NO GUARANTEE IS GIVEN THAT ALL EXISTING UTILITIES ARE SHOWN OR THAT THE GIVEN LOCATIONS ARE EXACT. CONFIRMATION OF EXISTENCE AND EXACT LOCATION OF ALL SERVICES MUST BE OBTAINED FROM THE INDIVIDUAL UTILITIES BEFORE PROCEEDING WITH CONSTRUCTION.

NO.	REVISIONS	DATE	BY	DATE	BY
				JANUARY 2011	

**GENIVAR**  
10 PRAIRIE WAY WINNIPEG, MANITOBA R2J 3J8  
PH: (204)-477-6650 FAX: (204)-474-2864

DESIGNED BY: TL  
CHECKED BY: SU  
DRAWN BY: TL  
APPROVED BY: SU  
HOR. SCALE: SEE DETAILS

ENGINEERS SEAL

CONSULTANT DRAWING NO.  
09-150-24

**THE CITY OF WINNIPEG**  
PUBLIC WORKS DEPARTMENT

2010 ACTIVE TRANSPORTATION INFRASTRUCTURE STIMULUS PROGRAM  
NAVIN DRAIN CROSSING: LAGIMODIERE MULTI-USE PATH  
BOX-CULVERT SECTIONS AND DETAILS

CITY DRAWING NO. C-378-11-07  
SHEET 7 OF 7  
TENDER NO. 24-2011