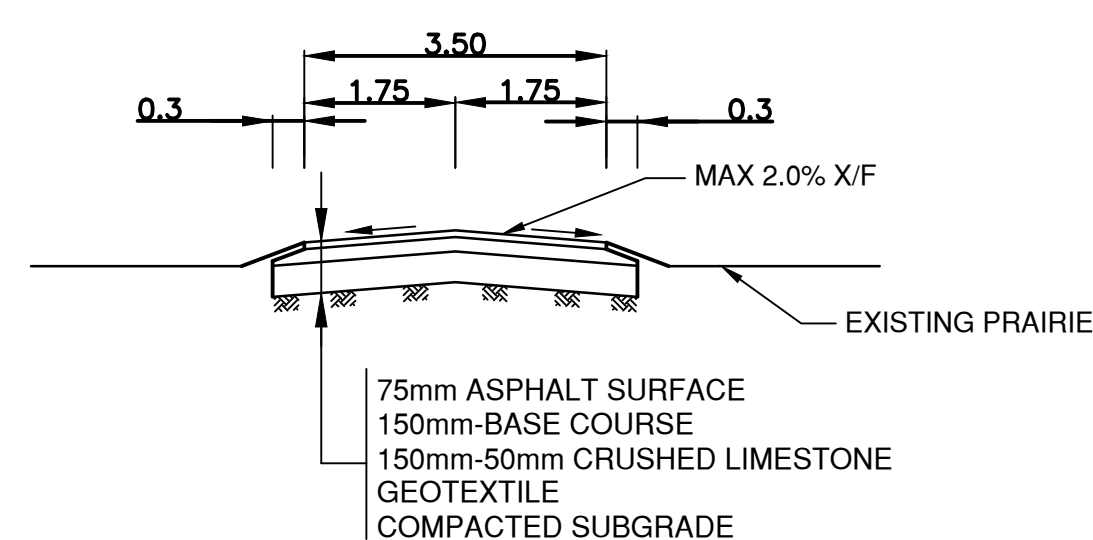


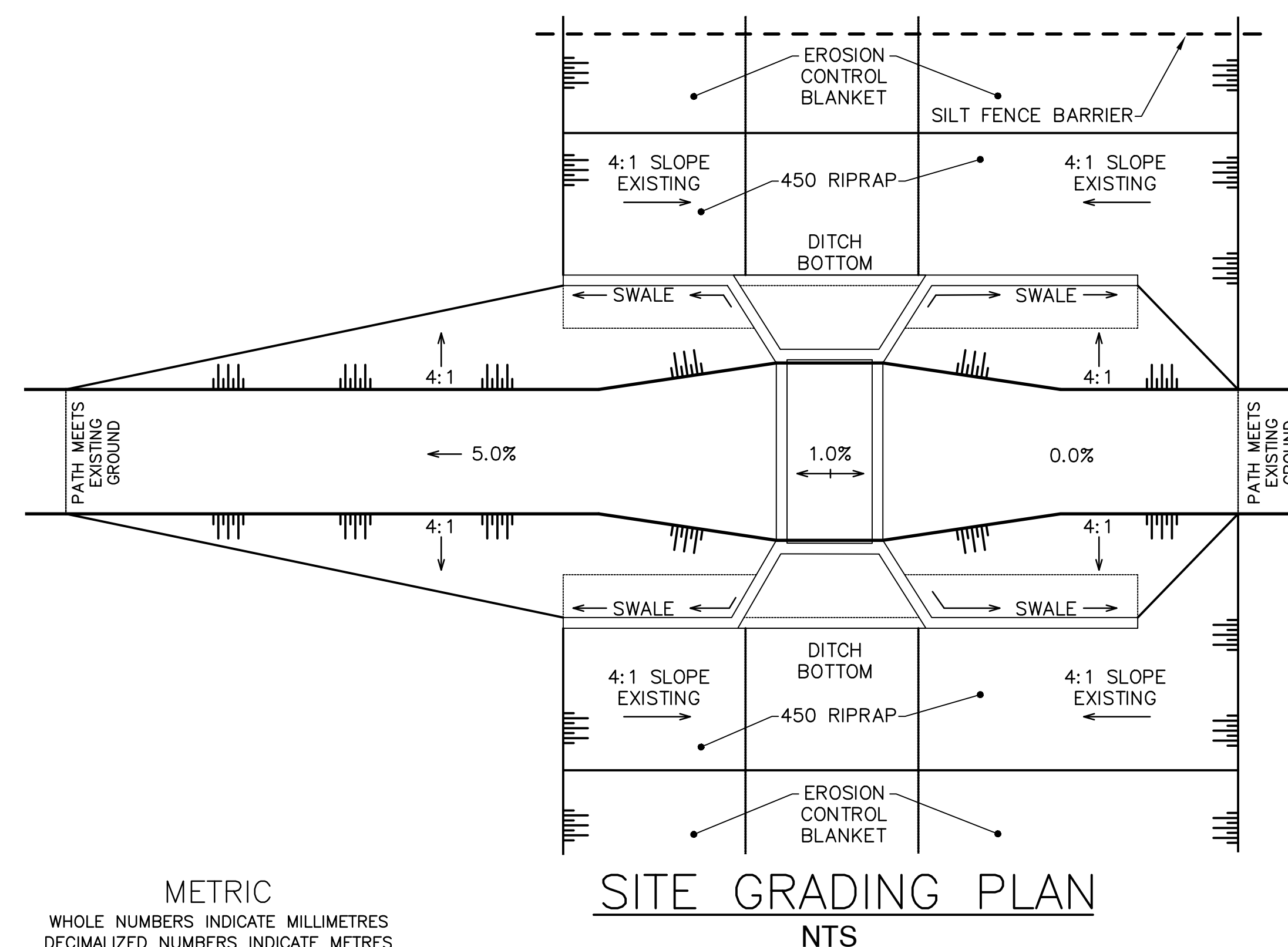
PATH PROFILE
NTS



TYPICAL PATH CROSS SECTION
NTS

NOTES:

1. LOCATION OF PATHWAY, DITCHES, BOULEVARD, AND CULVERTS TO BE FINALIZED IN THE FIELD BY CONTRACT ADMINISTRATOR
2. TO BE FINALIZED IN THE FIELD BY CONTRACT ADMINISTRATOR CONTRACTOR TO TAKE PRECAUTIONARY STEPS TO AVOID DAMAGE FROM CONSTRUCTION ACTIVITIES TO TREES WITHIN THE LIMITS OF CONSTRUCTION
3. REGRADEING OF EXISTING DITCHES TO BE DIRECTED BY CONTRACT ADMINISTRATOR
4. RENEWAL OF EXISTING APPROACHES, PAVEMENT, CURBS, SIDEWALKS, CULVERTS, DITCHES AND BOULEVARD TO BE DIRECTED BY CONTRACT ADMINISTRATOR



METRIC
WHOLE NUMBERS INDICATE MILLIMETRES
DECIMALIZED NUMBERS INDICATE METRES

SITE GRADING PLAN
NTS

EXISTING	LEGEND - PLAN	PROPOSED	EXISTING	LEGEND - PLAN	PROPOSED	EXISTING	LEGEND - PROFILE	PROPOSED
	WATERMAIN			HYDRO			CENTER LINE	
	HYDRANT VALVE			PROPERTY LINE			NORTH GUTTER LINE	
	CATCH BASIN			SURVEY STOP			LAND DRAINAGE SEWER	
	CURB INLET			C.B. LEAD			WASTE WATER SEWER	
	STEAM HT.			SIDEWALK RAMP			JUNCTIONS	
	GAS			ASPH./CONC. PAD			CULVERT	

LOCATION APPROVED		DATE	
SUPV.	U/G STRUCTURES		
COMMITTEE			
NOTE: LOCATION OF UNDERGROUND STRUCTURES AS SHOWN ARE BASED ON THE BEST INFORMATION AVAILABLE BUT NO GUARANTEE IS GIVEN THAT ALL EXISTING UTILITIES ARE SHOWN OR THAT THE GIVEN LOCATIONS ARE EXACT. CONFIRMATION OF EXISTENCE AND EXACT LOCATION OF ALL SERVICES MUST BE OBTAINED FROM THE INDIVIDUAL UTILITIES BEFORE PROCEEDING WITH CONSTRUCTION.			
NO.	REVISIONS	DATE	BY

GENIVAR
10 PRAIRIE WAY WINNIPEG, MANITOBA R2J 3J8
PH: (204)-477-8650 FAX: (204)-474-2864

DESIGNED BY: TL
DRAWN BY: TL
HOR. SCALE: SEE DETAILS
MAIN PLAN: 1:1250
DATE: JANUARY 2011

CHECKED BY: SU
APPROVED BY: SU
DATE:

ENGINEERS SEAL
CONSULTANT DRAWING NO. 09-150-19

Winnipeg THE CITY OF WINNIPEG
PUBLIC WORKS DEPARTMENT

**2010 ACTIVE TRANSPORTATION
INFRASTRUCTURE STIMULUS PROGRAM**
NAVIN DRAIN CROSSING: LAGIMODIERE MULTI-USE PATH
AND SITE GRADING PLAN



CITY DRAWING NO. C-378-11-02
SHEET 2 OF 7
TENDER NO. 24-2011

ACAD 2007