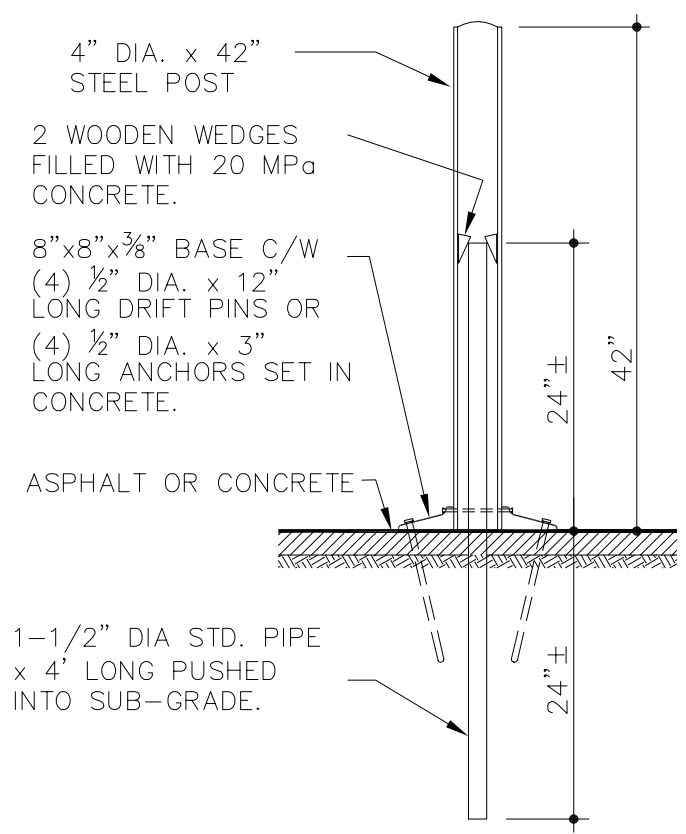



CONCRETE-FILLED
STEEL BOLLARD
(SET-IN)



STEEL BOLLARD
(SURFACE)

 CITY OF WINNIPEG PLANNING, PROPERTY & DEVELOPMENT DEPARTMENT CIVIC ACCOMMODATIONS DIVISION 300-65 GARRY STREET R3C 4K4		PROJECT CONCRETE REPAIRS		SHEET TITLE DETAILS BOLLARDS	
DRAWN BY RH/DTA	CHECKED BY RC/DTA	APPROVED BY	DATE 1994.02/2005.05 eFILE bollards.dwg	SCALE N.T.S.	SHEET NO. D-1
			PROJECT NO. N/A		