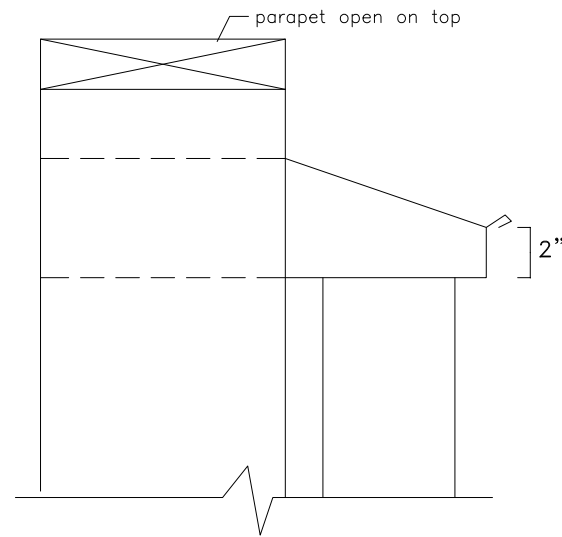
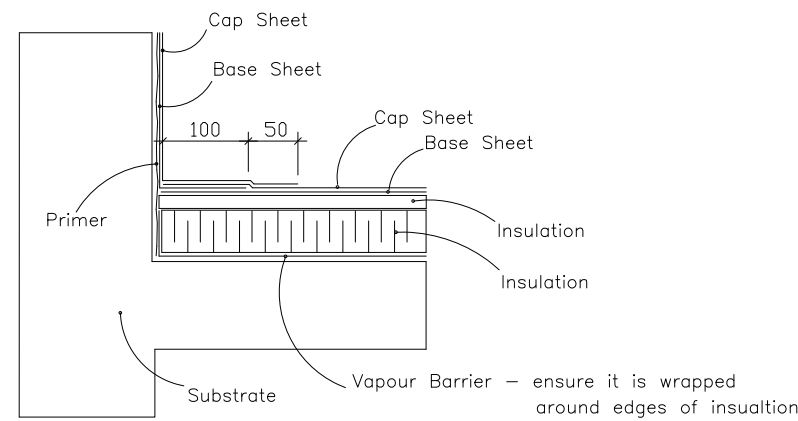


Typical Scupper



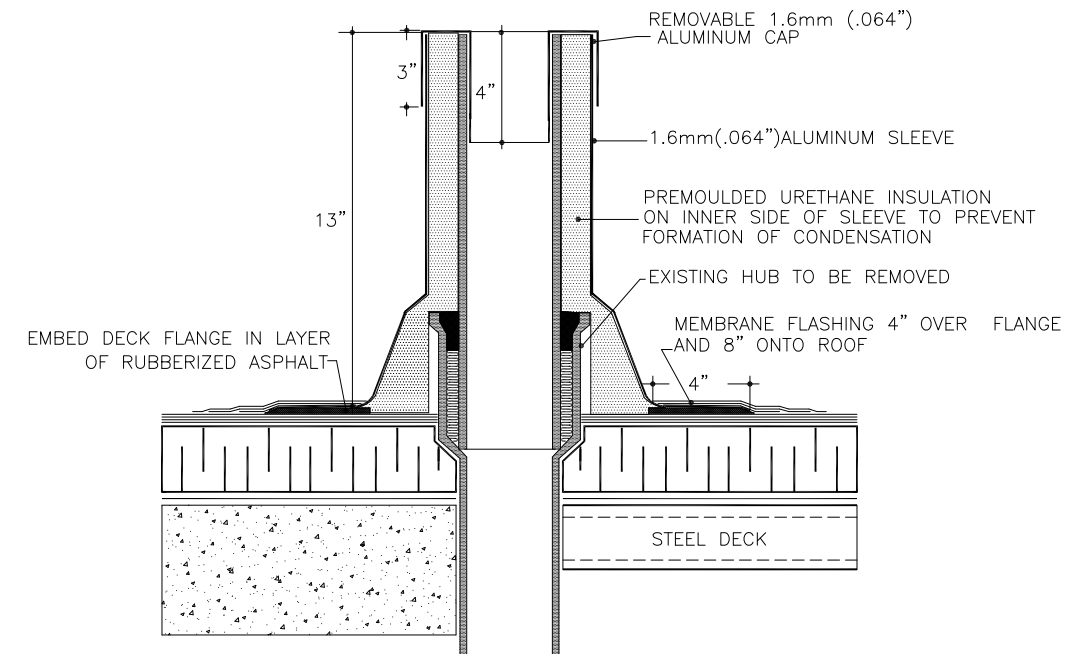
Notes:
 Scupper shall be 4 sided through parapet
 Scupper shall be minimum 8" wide x 6" high

Typical Roof Edge Detail



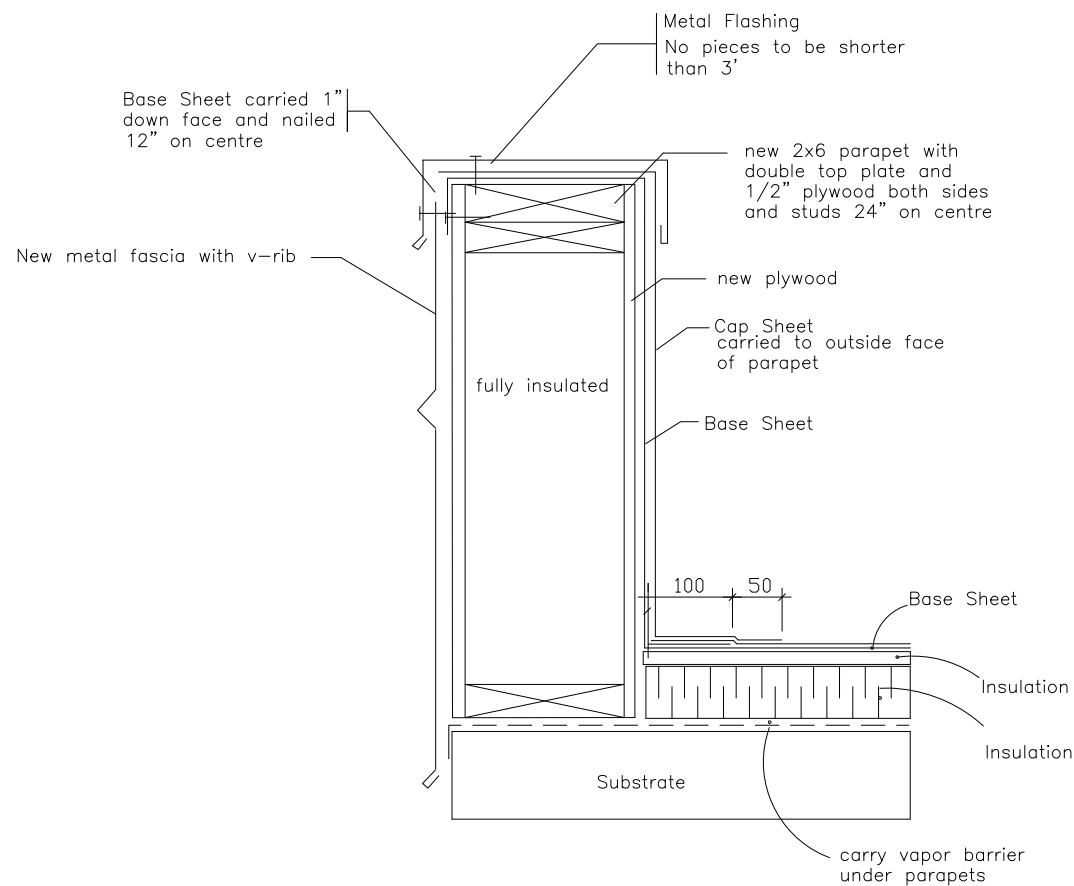
Note: Modified Bitumen stipping used in conjunction with 4 ply felt membrane is to have base sheet extend 12" onto flat and cap sheet 18" onto flat.

Plumbing Vent Flashing

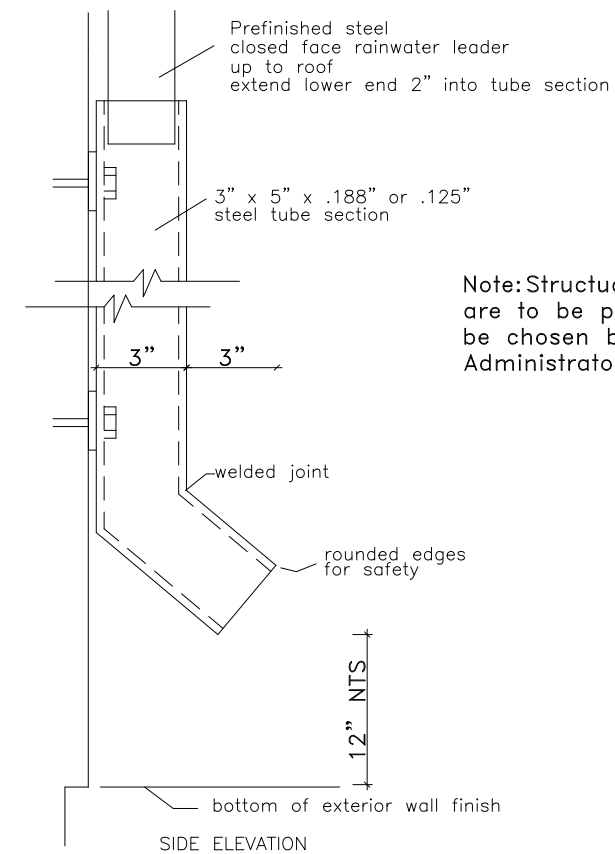
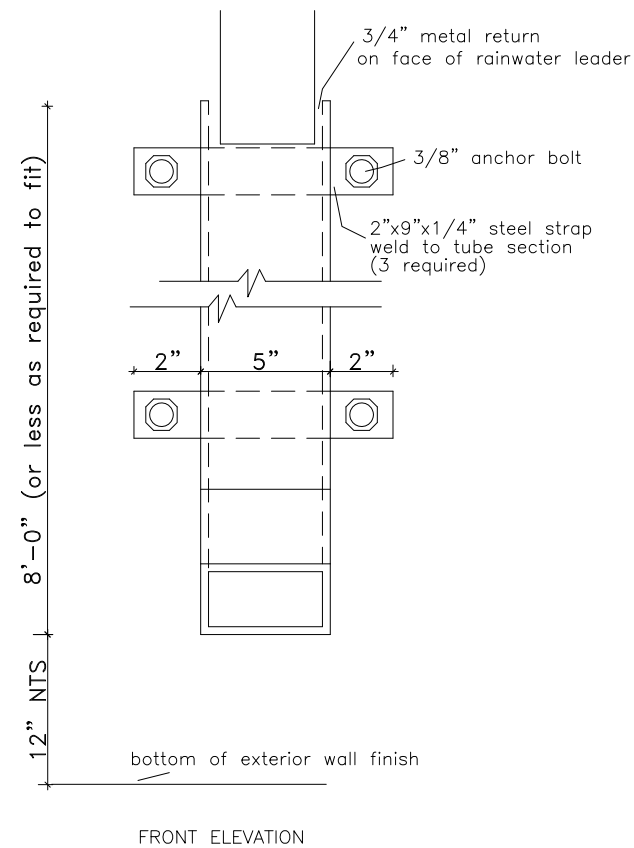


SJ-20 ALUMINUM STACK JACK (13") HIGH

Typical Parapet Construction



Structural Down Pipes



Note: Structural steel bottom sections are to be powder coated. Color is to be chosen by the Contract Administrator.

AGASSIZ CONSULTING GROUP	
809 Pipeline Road, Winnipeg, Manitoba Phone: 697-8091 Fax: 697-8039	
Project:	Maginot Arena 910 Maginot Winnipeg, MB
Date:	February 3, 2011
Drawing No.	D-1
File no:	3587-11
Scale:	N.T.S.