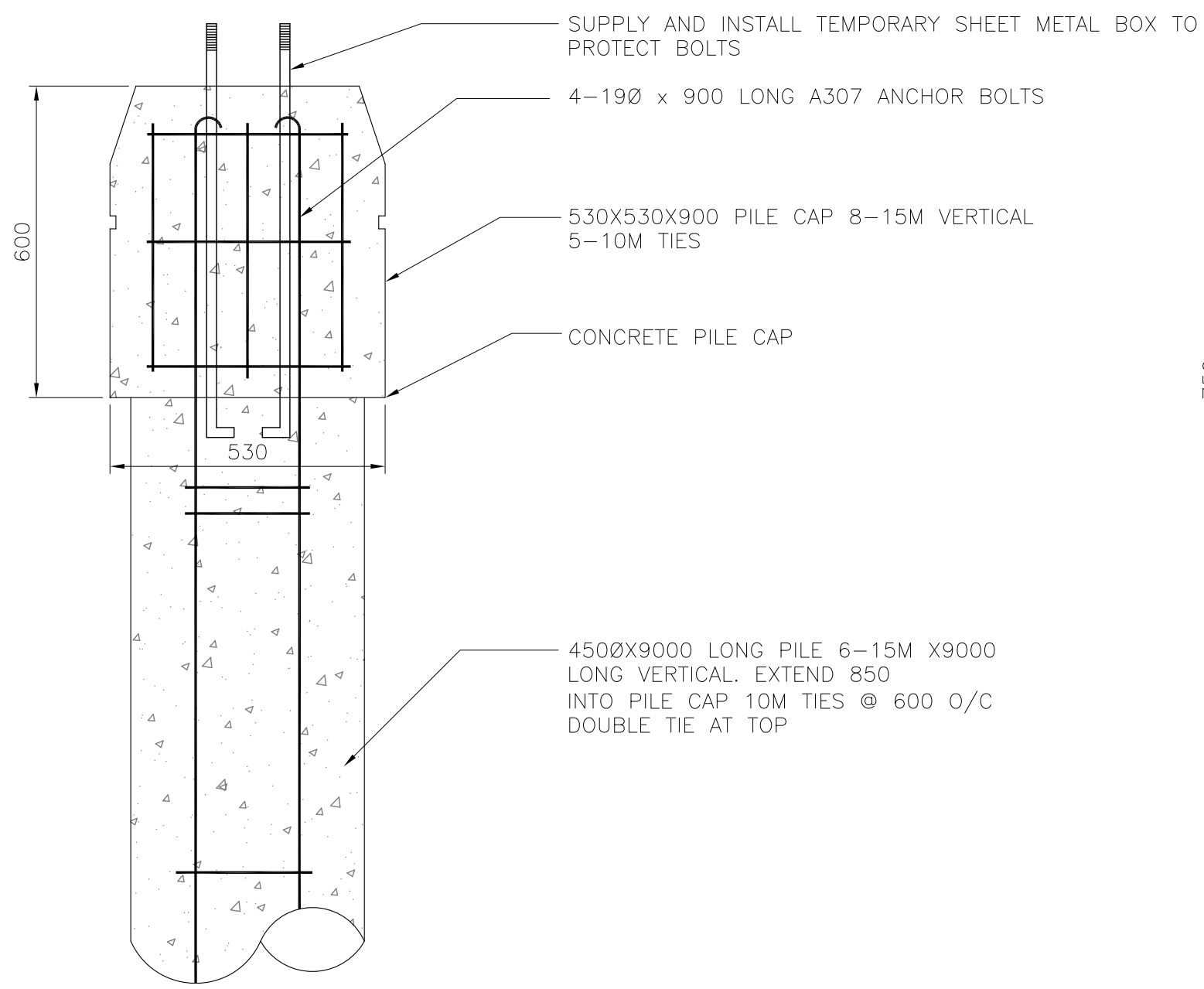
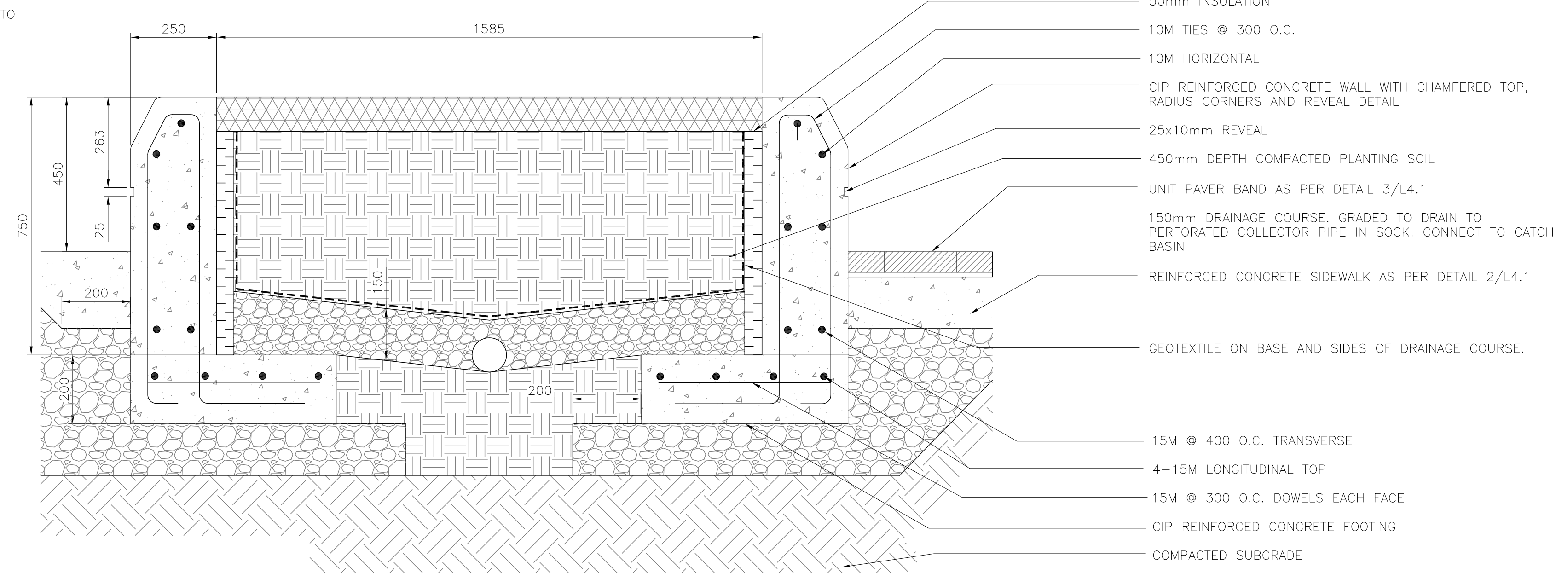


**9** CLOCK TOWER BASE  
**L1** N.T.S.

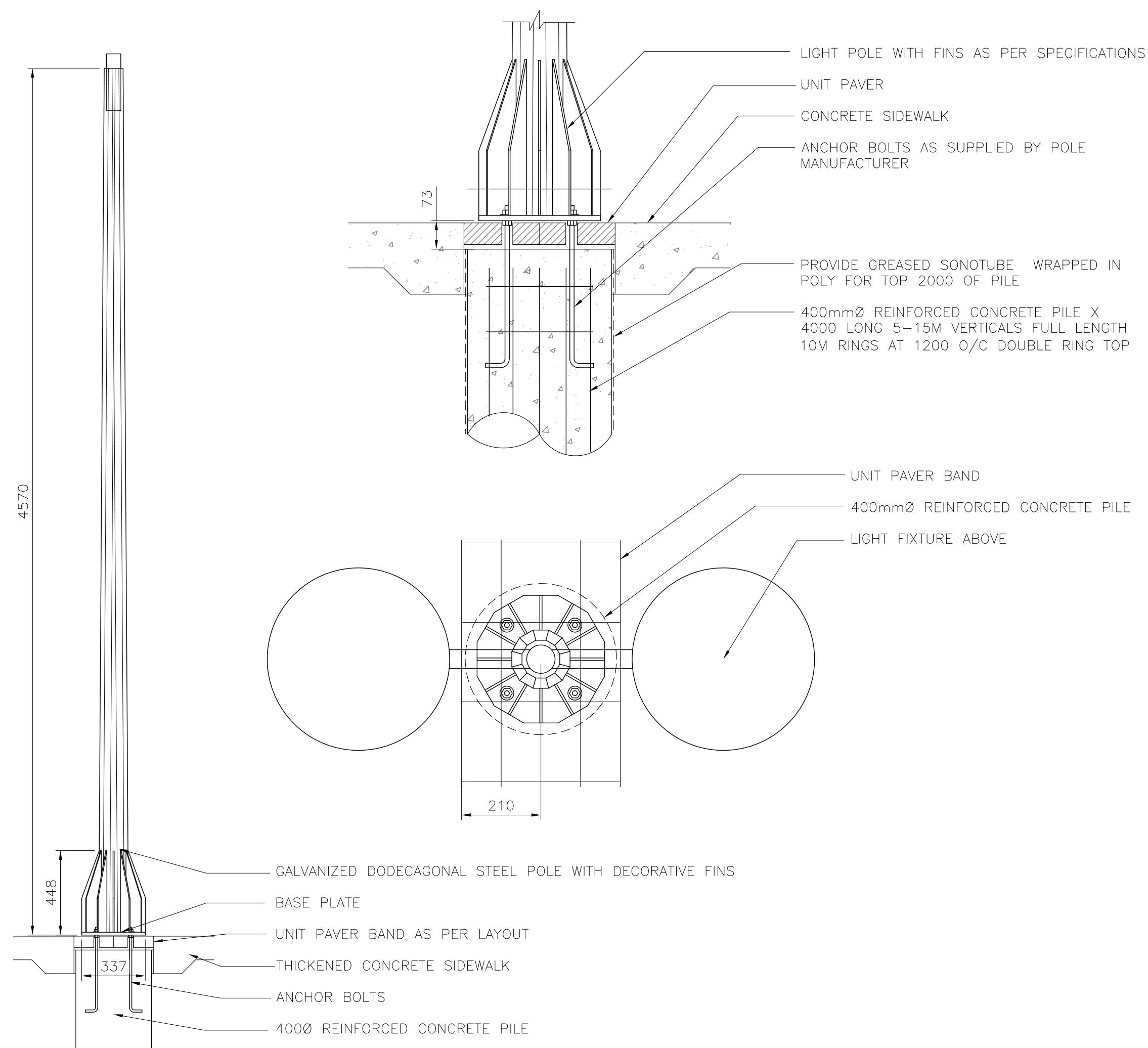


**PILE SECTION**

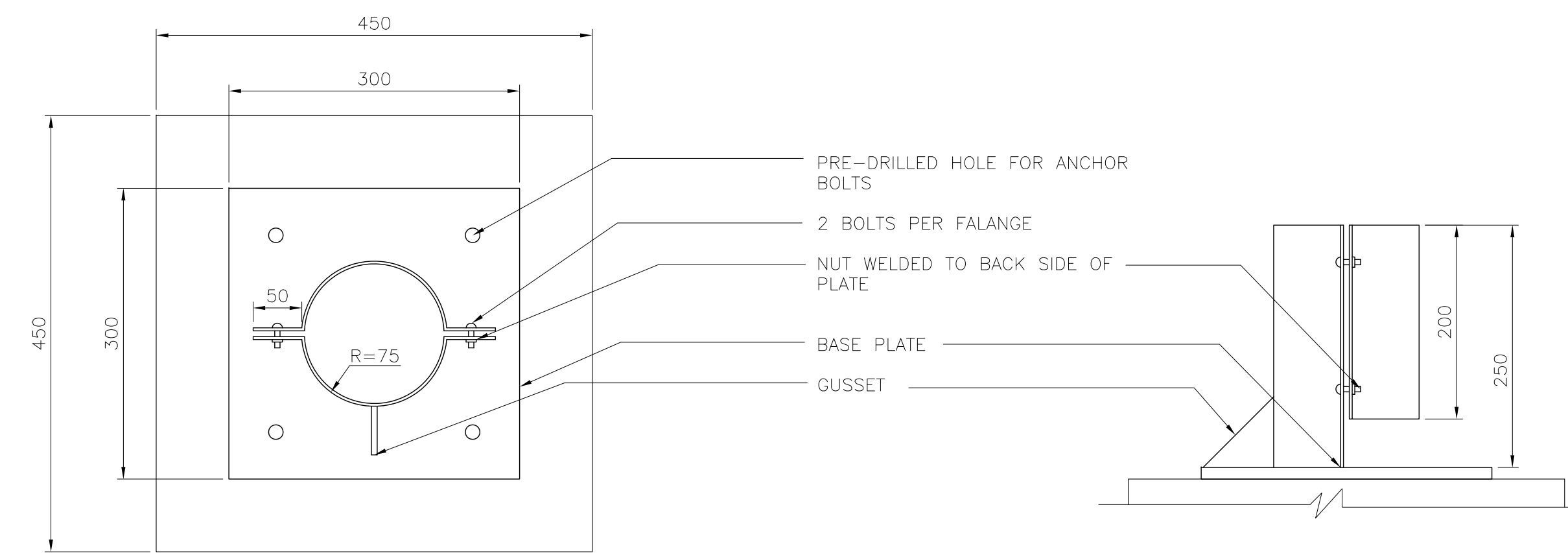
ALL STRUCTURAL DETAILS AS PROVIDED BY CROSIER KILGOUR PARTNERSHIP



**10** CONCRETE PLANTER WALL  
**L1** N.T.S.



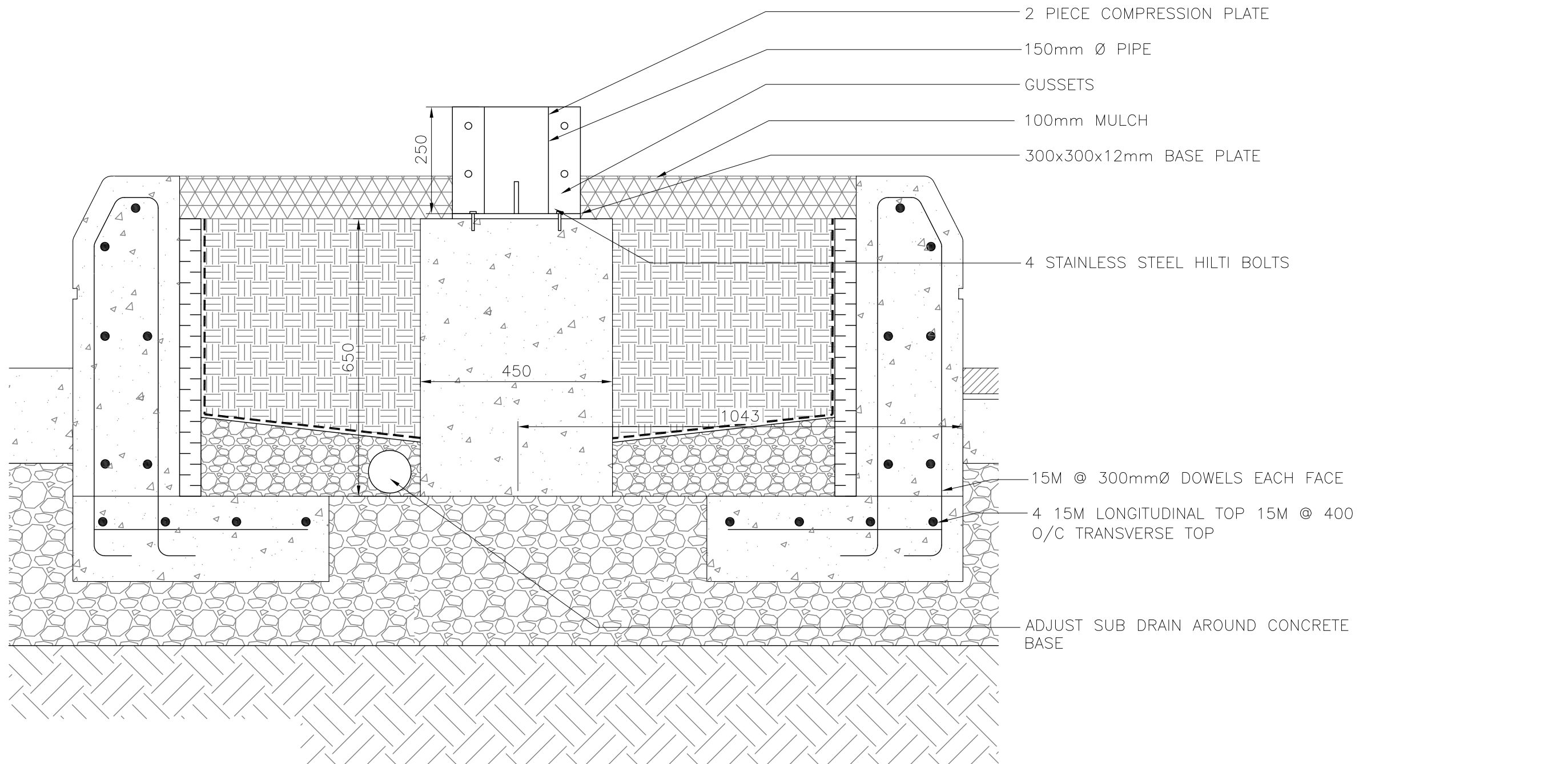
**11** STANDARD LIGHT BASE  
**L1** N.T.S.



NOTES:

- ALL METAL TO BE GALVANIZED

**12** CHRISTMAS TREE BASE MOUNT  
**L1** N.T.S.



ALL DIMENSIONS PROVIDED FOR INFORMATION ON DESIGN INTENT.

CONTRACTOR TO SUPPLY SHOP DRAWINGS STAMPED BY A STRUCTURAL ENGINEER LICENSED TO PRACTICE IN THE PROVINCE OF MANITOBA WITH EXTENSIVE EXPERIENCE IN THE DESIGN & MANUFACTURING OF ALUMINIUM SITE FURNITURE. SHOP DRAWINGS TO INCLUDE WALL THICKNESSES, MATERIALS ETC. AS LISTED IN THE SPECIFICATIONS.

No.	Revisions	Date	By
11-04-11	AS NOTED		
Designed By	Drawn By	Checked By	
AH	PB/JW	JW	

**McGOWAN·RUSSELL**  
Client  
**TRANSCONA BIZ**

Project Title  
**TRANSCONA CENTENNIAL SQUARE**

Sheet Title  
**DETAILS**

Project No.  
**10-025** Drawing No.  
**L4.3**