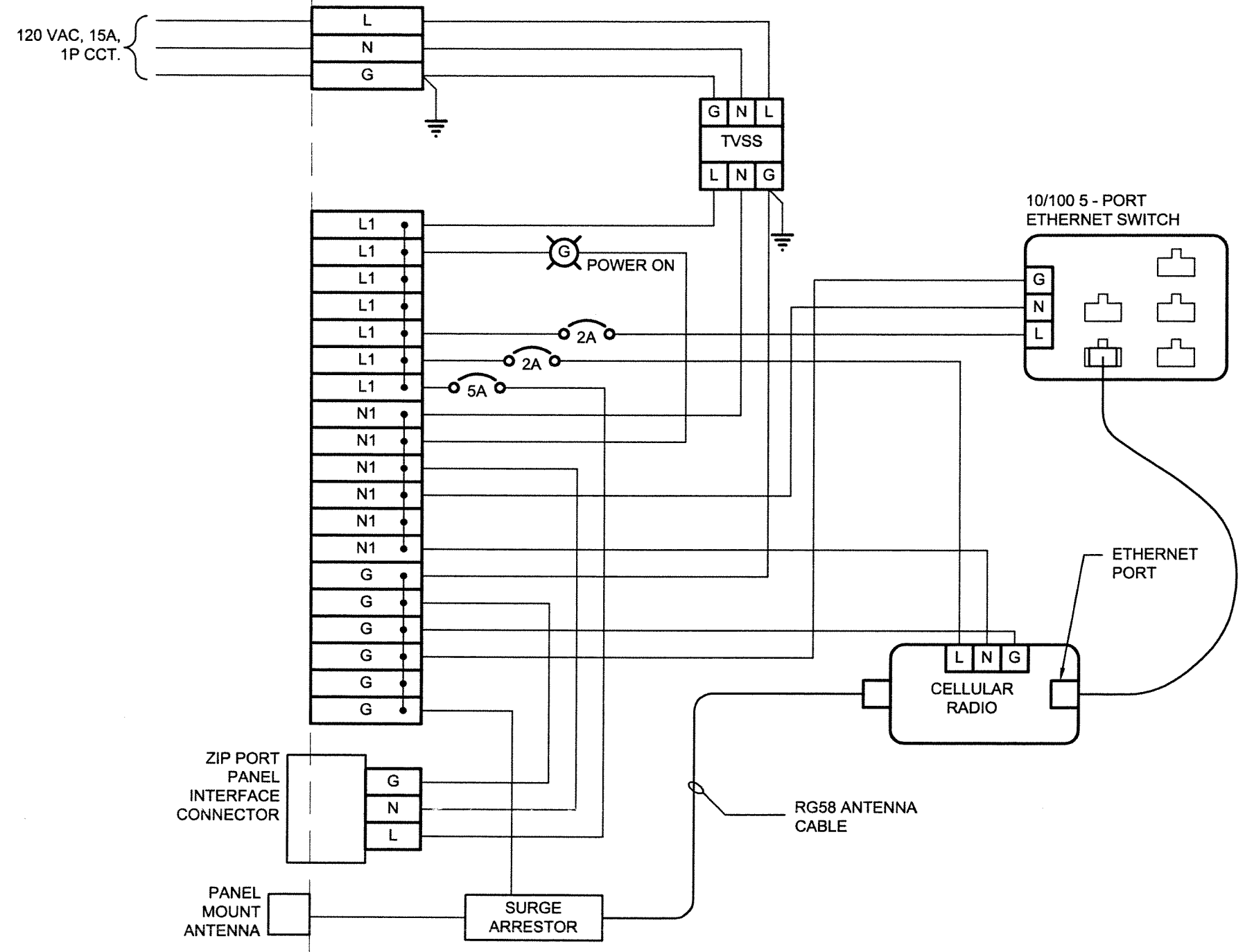


B SIZE 11" x 17" (279.4mm x 431.8mm)  
 PLOT: 11/03/18 2:21:40 PM  
 Saved By: berardk  
 AECOM FILE NAME: 60161484-01-E-608-R0X.dwg

# CONTROL PANEL



  
 Certificate of Authorization  
 AECOM Canada Ltd.  
 No. 4671 Date: *March 18/11*



BID OPPORTUNITY NO. 218-2011

This drawing has been prepared for the use of AECOM's client and may not be used, reproduced or relied upon by third parties, except as agreed by AECOM and its client, as required by law or for use by governmental reviewing agencies. AECOM accepts no responsibility, and denies any liability whatsoever, to any party that modifies this drawing without AECOM's express written consent. Do not scale this document. All measurements must be obtained from stated dimensions.

I/R	YY/MM/DD	ISSUE/REVISION DESCRIPTION	DRN	CHK	DES	ENG	IDR	APP
0	11/03/18	ISSUED FOR CONSTRUCTION						



**CSO STORAGE FACILITY AT THE UNIVERSITY OF WINNIPEG**

**LOOP DIAGRAM  
120 VAC POWER SUPPLY**

PROJECT NUMBER	DRAWING NUMBER	ISSUE/REVISION
60161484	9573	0