

B SIZE 11" x 17" (279.4mm x 431.8mm)

PLOT: 11/03/18 2:11:18 PM

Saved By: berardk

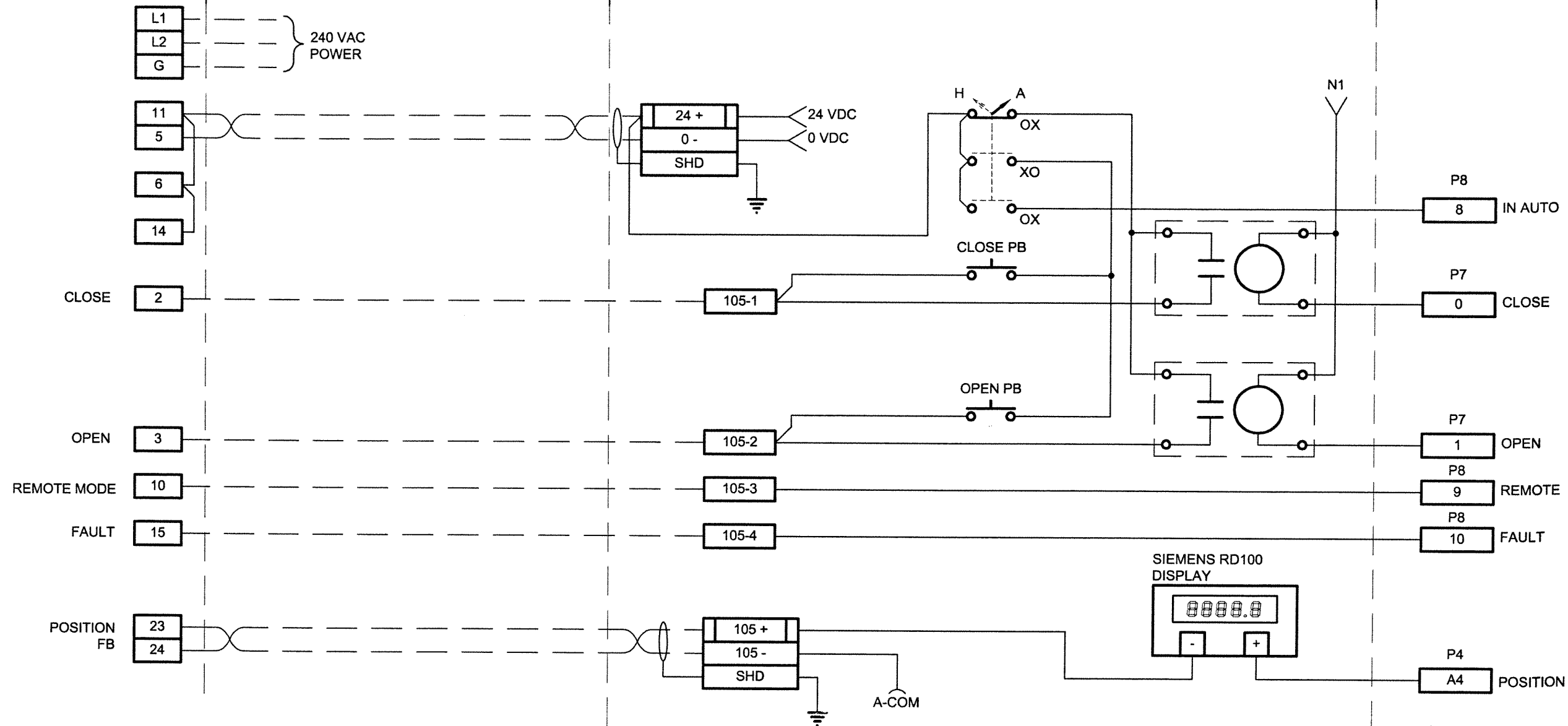
AECOM FILE NAME: 60161484-01-E-608-ROX.dwg

ACTUATOR FCV-105

FIELD

CONTROL PANEL

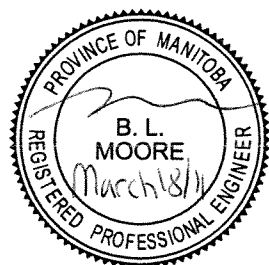
PLC



Certificate of Authorization

AECOM Canada Ltd.

No. 4671 Date: March 18/11



BID OPPORTUNITY NO. 218-2011

This drawing has been prepared for the use of AECOM's client and may not be used, reproduced or relied upon by third parties, except as agreed by AECOM and its client, as required by law or for use by governmental reviewing agencies. AECOM accepts no responsibility, and denies any liability whatsoever, to any party that modifies this drawing without AECOM's express written consent. Do not scale this document. All measurements must be obtained from stated dimensions.

I/R	YY/MM/DD	ISSUE/REVISION DESCRIPTION	DRN	CHK	DES	ENG	IDR	APP
0	11/03/18	ISSUED FOR CONSTRUCTION						



CSO STORAGE FACILITY AT THE
UNIVERSITY OF WINNIPEG

LOOP DIAGRAM
FCV-005 VALVE ACTUATOR

PROJECT NUMBER
60161484

DRAWING NUMBER
9583

ISSUE/REVISION
0