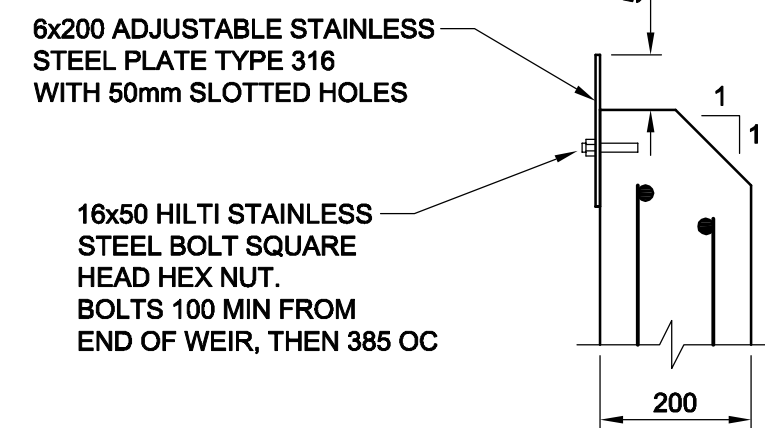


WEIR WALL AND PLATE

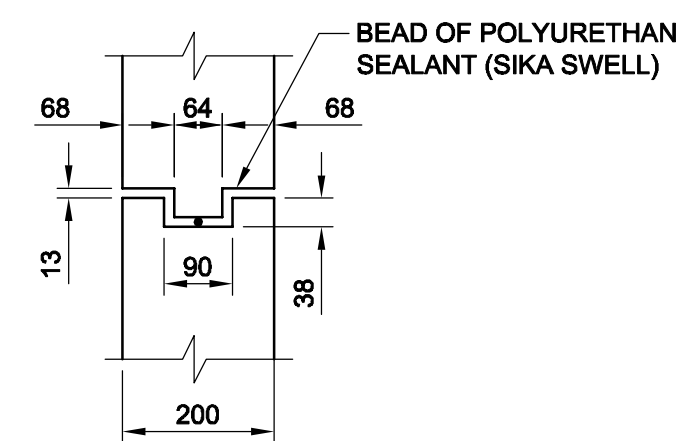
SCALE 1:10



SECTION B

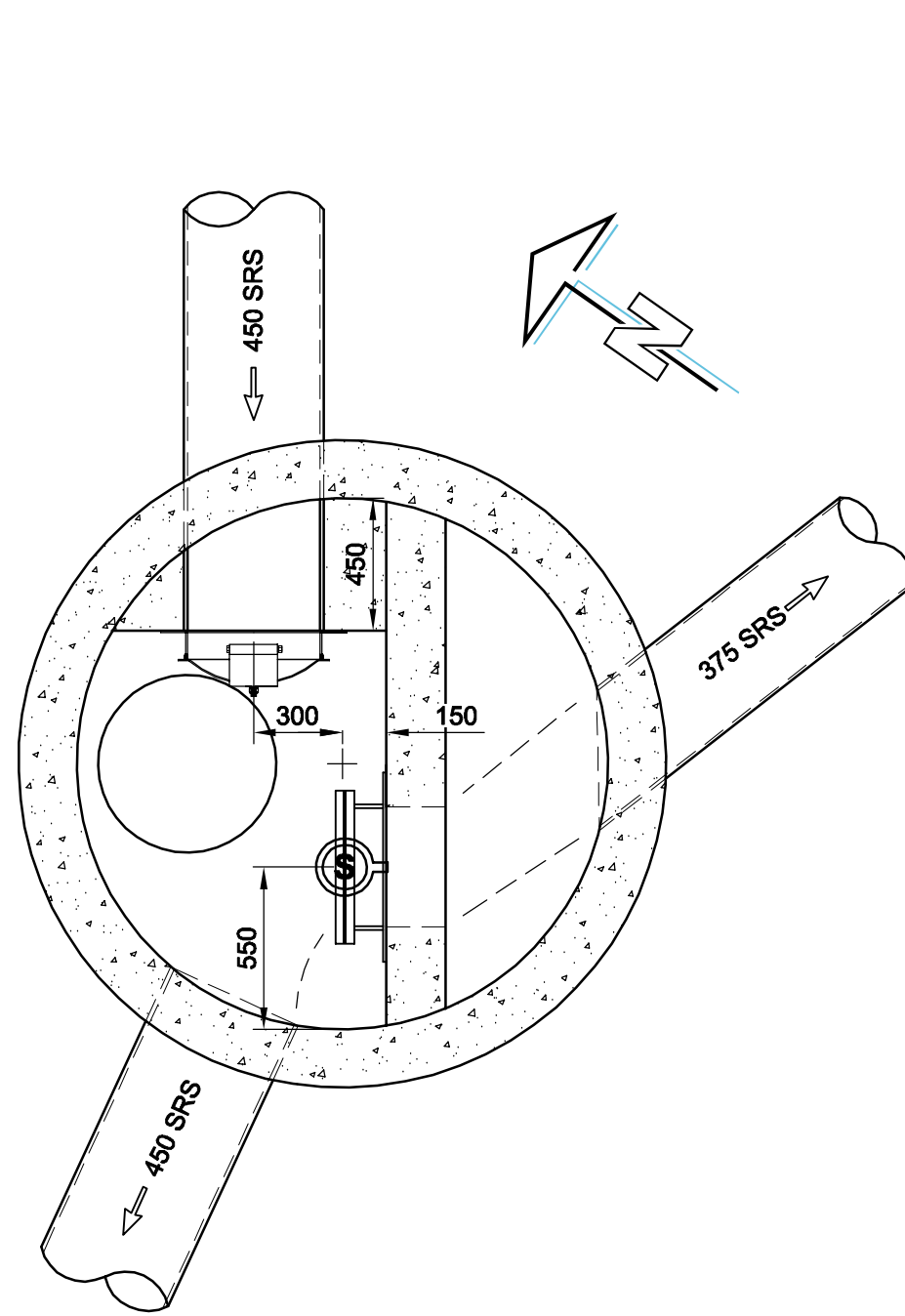
SCALE 1:10

WEIR WALL AND PLATE



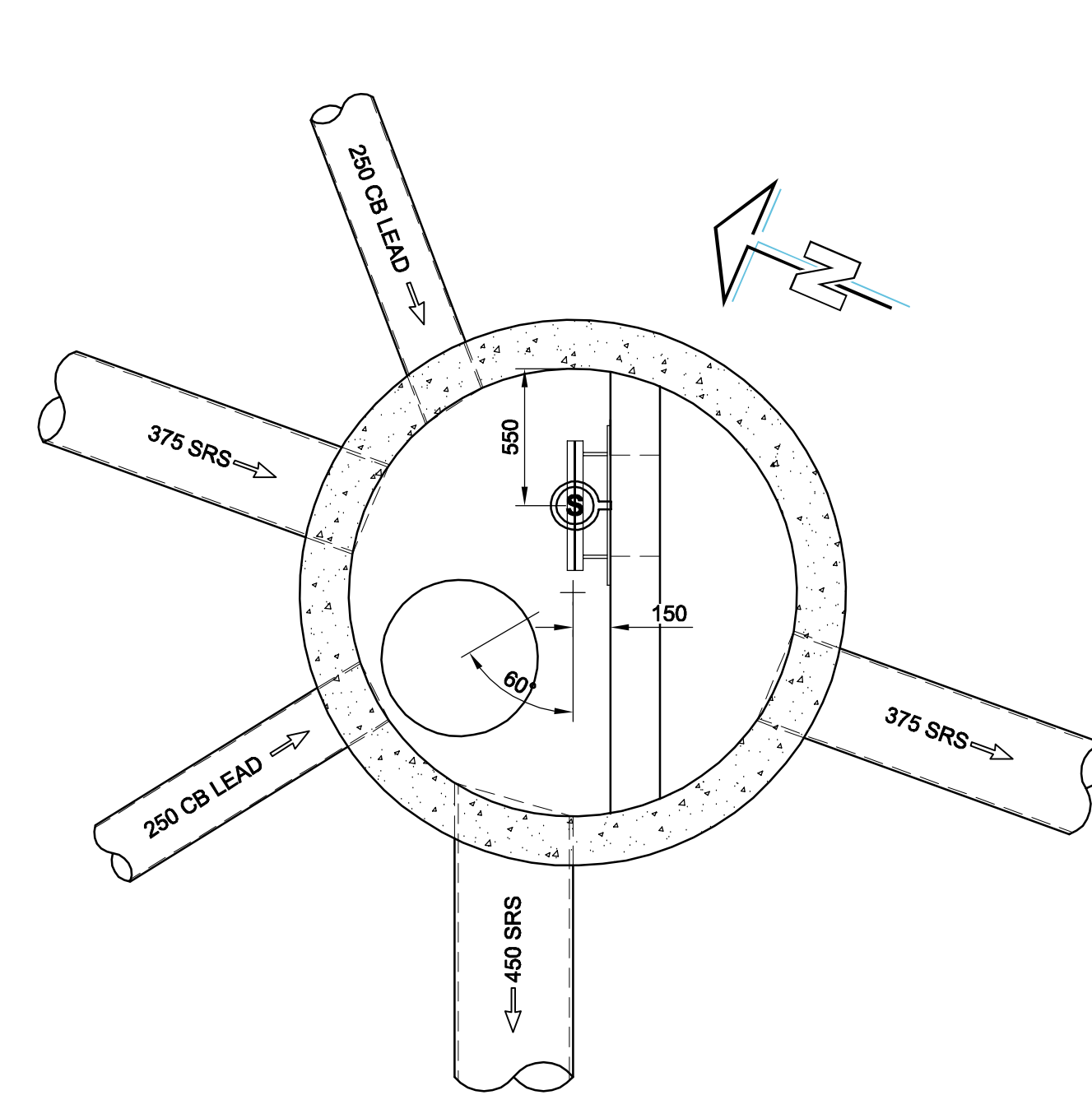
WEIR WALL JOINT DETAIL

SCALE 1:10



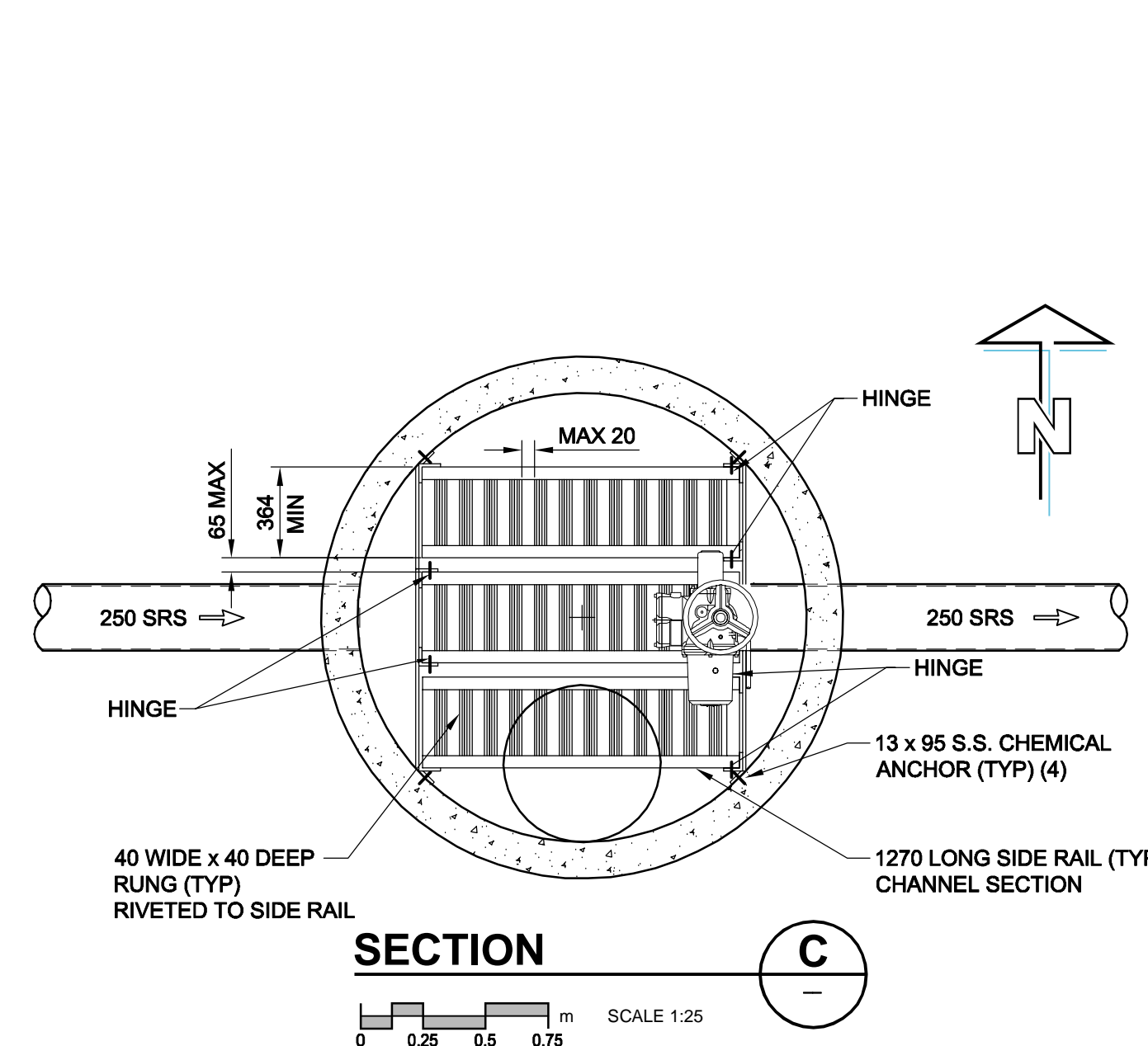
SECTION A

SCALE 1:25



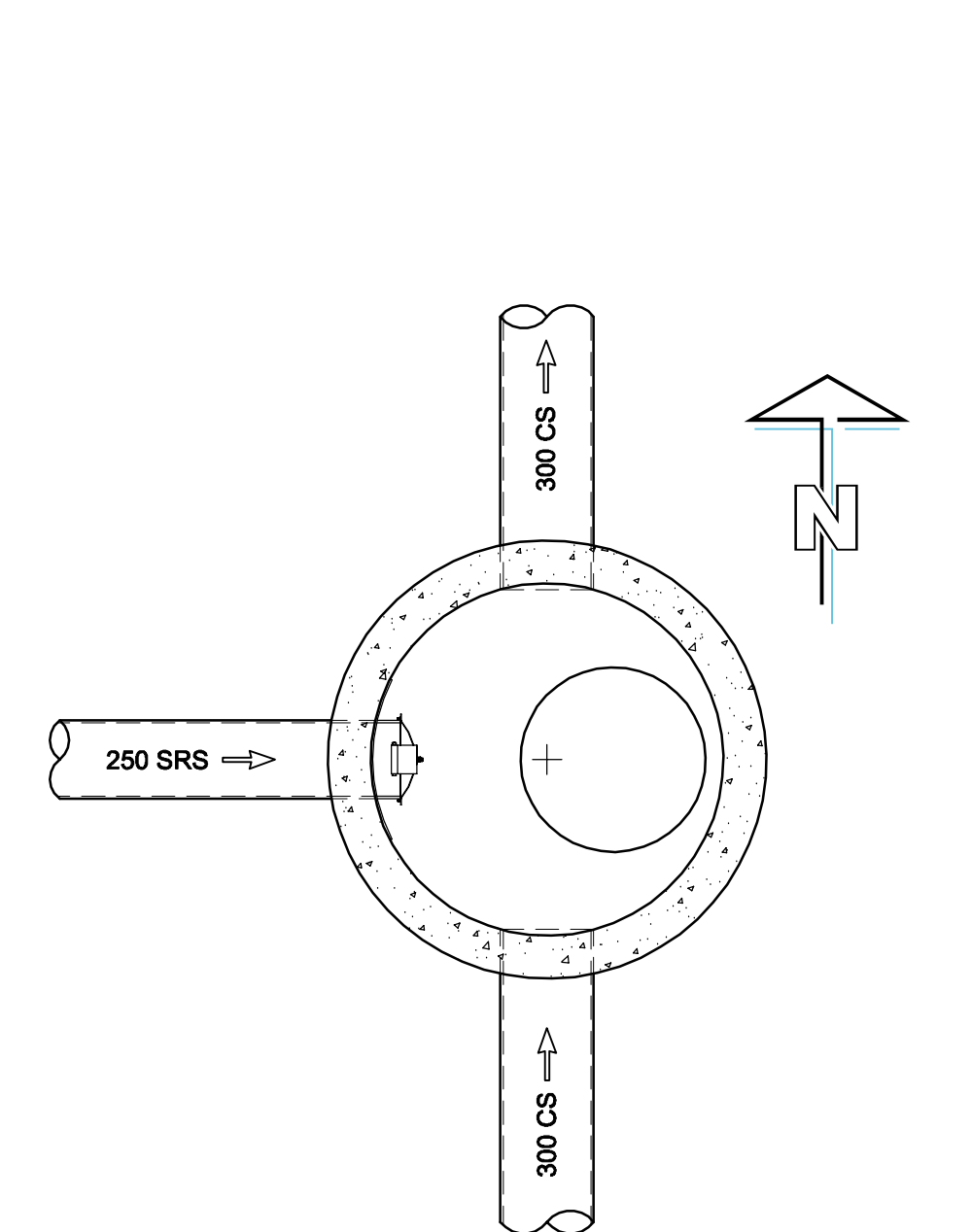
SECTION B

SCALE 1:25



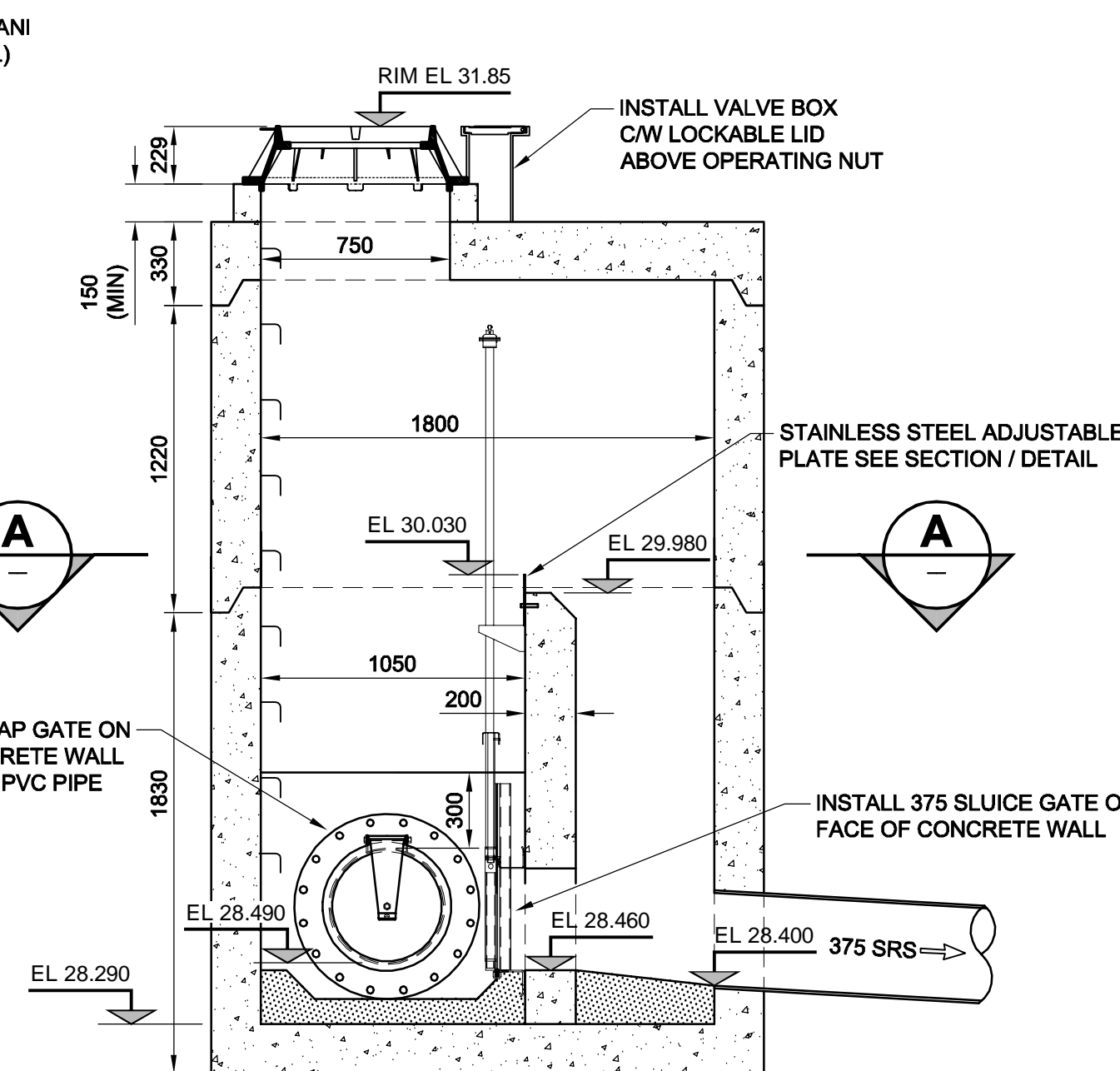
SECTION C

SCALE 1:25



SECTION D

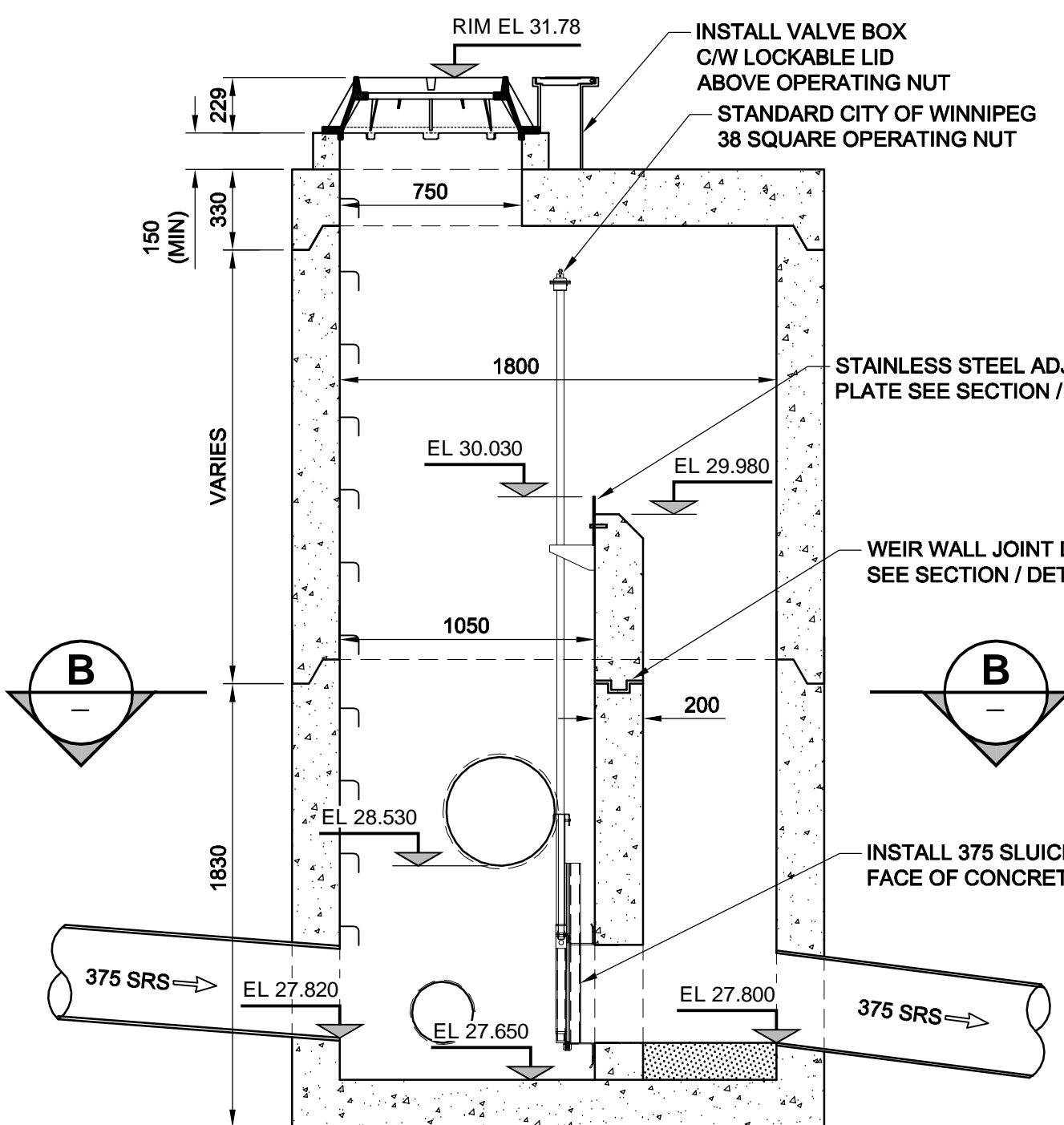
SCALE 1:25



MANHOLE 3

SCALE 1:25

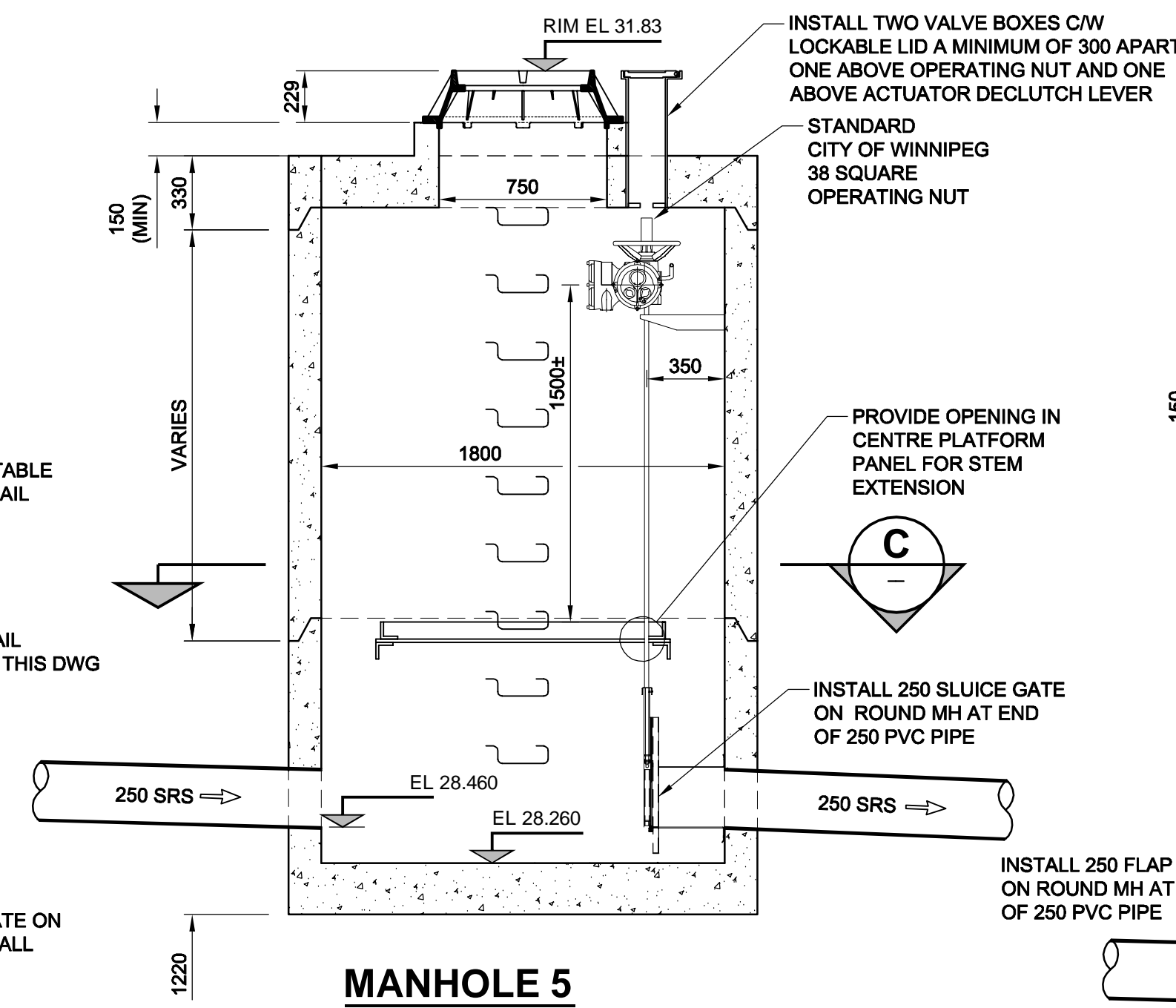
TYPICAL MANHOLE REQUIREMENTS AS PER SD-010



MANHOLE 4

SCALE 1:25

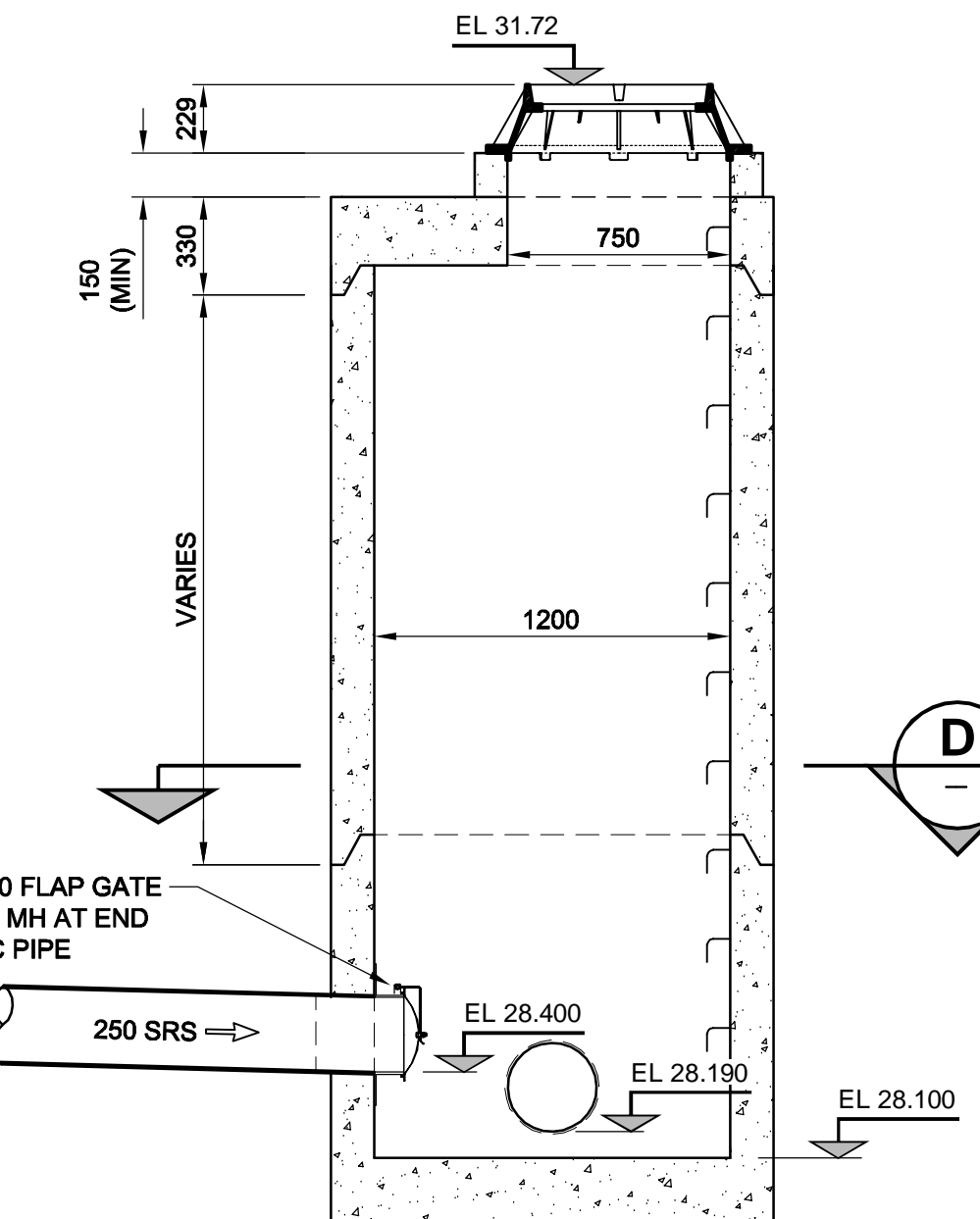
TYPICAL MANHOLE REQUIREMENTS AS PER SD-010



MANHOLE 5

SCALE 1:25

TYPICAL MANHOLE REQUIREMENTS AS PER SD-010



MANHOLE 6

SCALE 1:25

TYPICAL MANHOLE REQUIREMENTS AS PER SD-010

APEGM
 Certificate of Authorization
 AECOM Canada Ltd.
 No. 4671 Date: March 21, 2011

BID OPPORTUNITY NO. 218-2011

SYMBOL	DESCRIPTION	SYMBOL	DESCRIPTION	SYMBOL	DESCRIPTION	SYMBOL	DESCRIPTION
150 WM	WATERMAIN	150 WM	WATERMAIN	150 WM	WATERMAIN	150 WM	WATERMAIN
HYDRANT	HYDRANT	HYDRANT	HYDRANT	HYDRANT	HYDRANT	HYDRANT	HYDRANT
VALVE	VALVE	VALVE	VALVE	VALVE	VALVE	VALVE	VALVE
300 LDS	LAND DRAINAGE SEWER	300 LDS	LAND DRAINAGE SEWER	300 LDS	LAND DRAINAGE SEWER	300 LDS	LAND DRAINAGE SEWER
250 WWS	WASTE WATER SEWER	250 WWS	WASTE WATER SEWER	250 WWS	WASTE WATER SEWER	250 WWS	WASTE WATER SEWER
MANHOLE	MANHOLE	MANHOLE	MANHOLE	MANHOLE	MANHOLE	MANHOLE	MANHOLE
CATCH BASIN	CATCH BASIN	CATCH BASIN	CATCH BASIN	CATCH BASIN	CATCH BASIN	CATCH BASIN	CATCH BASIN
CURB INLET	CURB INLET	CURB INLET	CURB INLET	CURB INLET	CURB INLET	CURB INLET	CURB INLET
CULVERT	CULVERT	CULVERT	CULVERT	CULVERT	CULVERT	CULVERT	CULVERT
COMMUNITY MAILBOX	COMMUNITY MAILBOX	COMMUNITY MAILBOX	COMMUNITY MAILBOX	COMMUNITY MAILBOX	COMMUNITY MAILBOX	COMMUNITY MAILBOX	COMMUNITY MAILBOX
SURVEY BAR	SURVEY BAR	SURVEY BAR	SURVEY BAR	SURVEY BAR	SURVEY BAR	SURVEY BAR	SURVEY BAR
EXISTING	LEGEND - PLAN	NEW	LEGEND - PLAN	EXISTING	LEGEND - PROFILE	NEW	LEGEND - PROFILE

LOCATION APPROVED
 UNDERGROUND STRUCTURES

SUPR. U/G STRUCTURES DATE COMMITTEE

NOTE:
 LOCATION OF UNDERGROUND STRUCTURES AS SHOWN ARE BASED ON THE BEST INFORMATION AVAILABLE. BUT NO GUARANTEE IS GIVEN THAT ALL EXISTING UTILITIES ARE SHOWN OR THAT THE GIVEN LOCATIONS ARE EXACT. CONFIRMATION OF EXISTENCE AND EXACT LOCATION OF ALL SERVICES MUST BE OBTAINED FROM THE INDIVIDUAL UTILITIES BEFORE PROCEEDING WITH CONSTRUCTION.

NO.	REVISIONS	DATE	BY
0	ISSUED FOR CONSTRUCTION	11/03/18	KMB

DESIGNED BY	FMI	CHECKED BY	EDT
DRAWN BY	KMB	APPROVED BY	Bryan Weber
HOR. SCALE	AS NOTED	RELEASED FOR CONSTRUCTION	
VERT. SCALE	AS NOTED	DATE	

PROFESSIONAL'S SEAL

Original Sealed by:
 E. D. J. TOUPIN, P. Eng
 Member 23484
 March 21, 2011

CONSULTANT DRAWING NO.
 60161484-01-C-402-R0X.dwg

THE CITY OF WINNIPEG
 WATER AND WASTE DEPARTMENT

CSO STORAGE FACILITY AT THE UNIVERSITY OF WINNIPEG CIVIL
 MANHOLES 3, 4, 5 AND 6

SHEET 5 OF 19
 CITY DRAWING NUMBER 9569
 REV 0