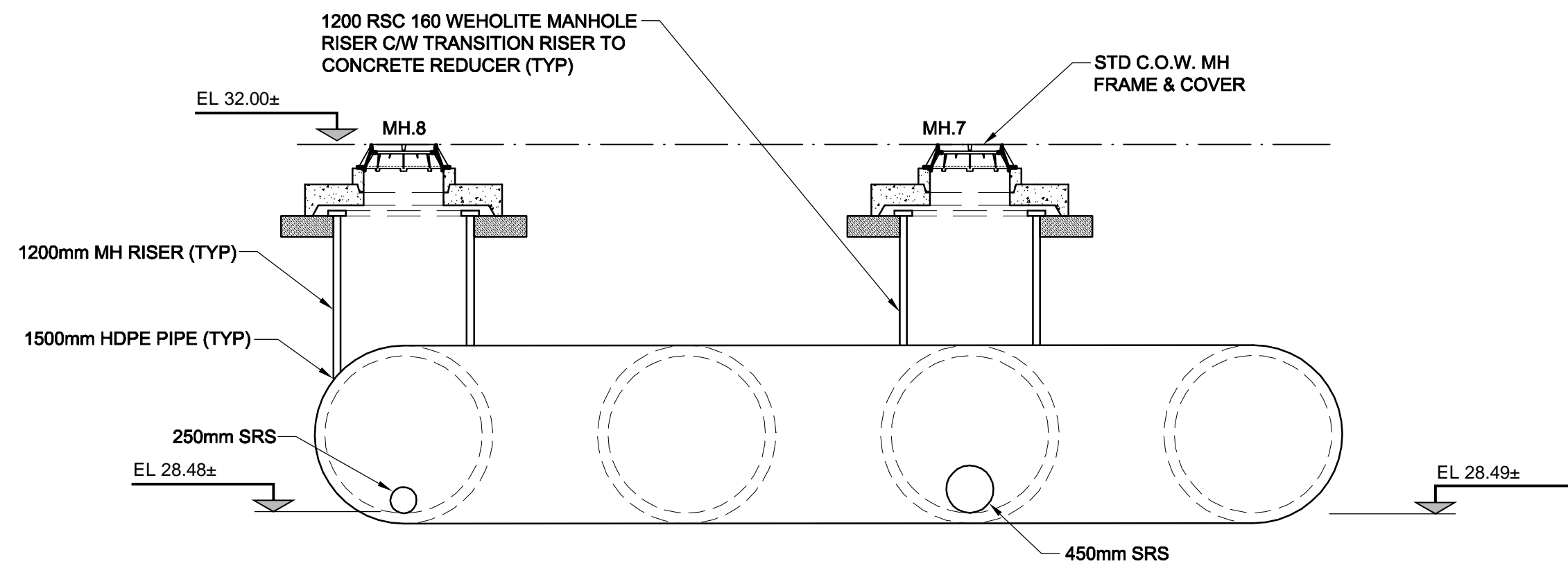
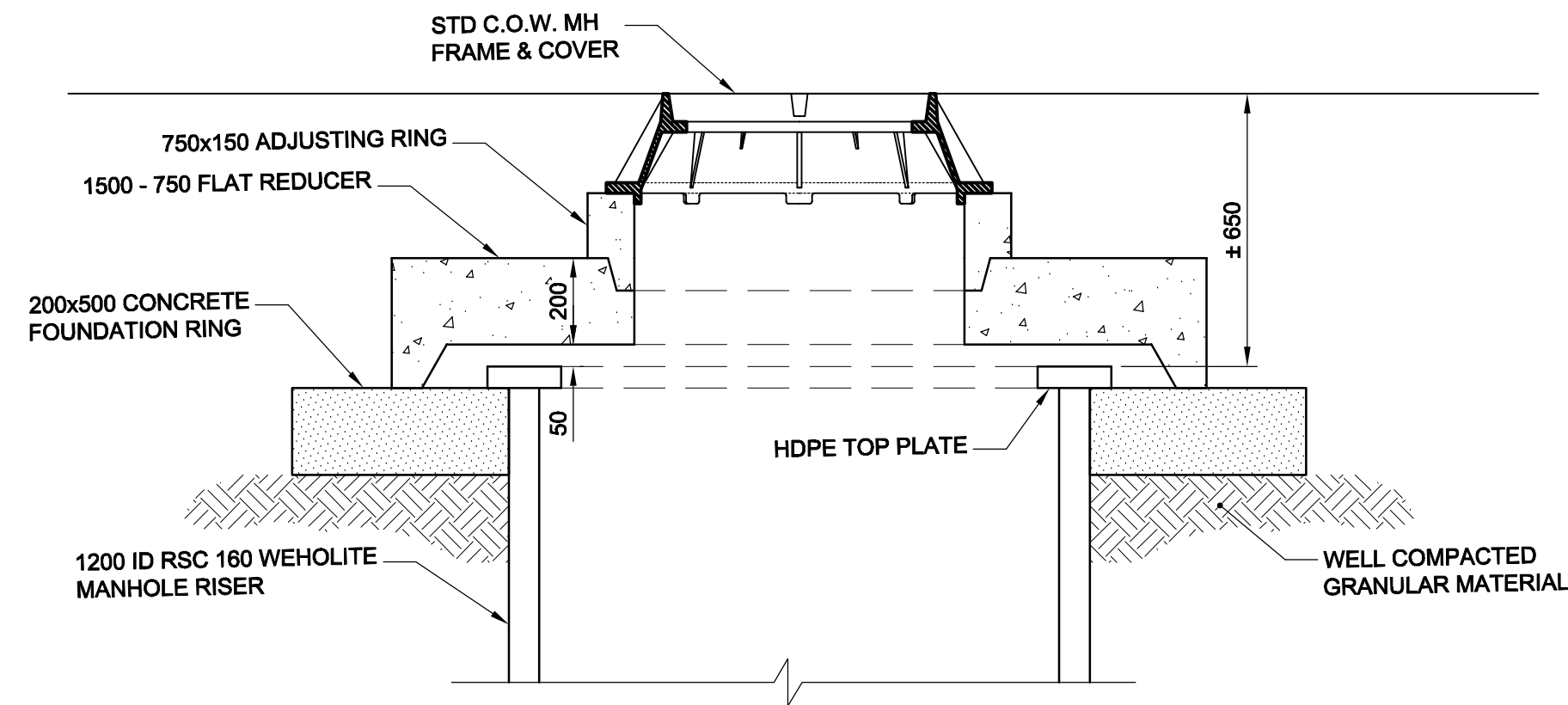


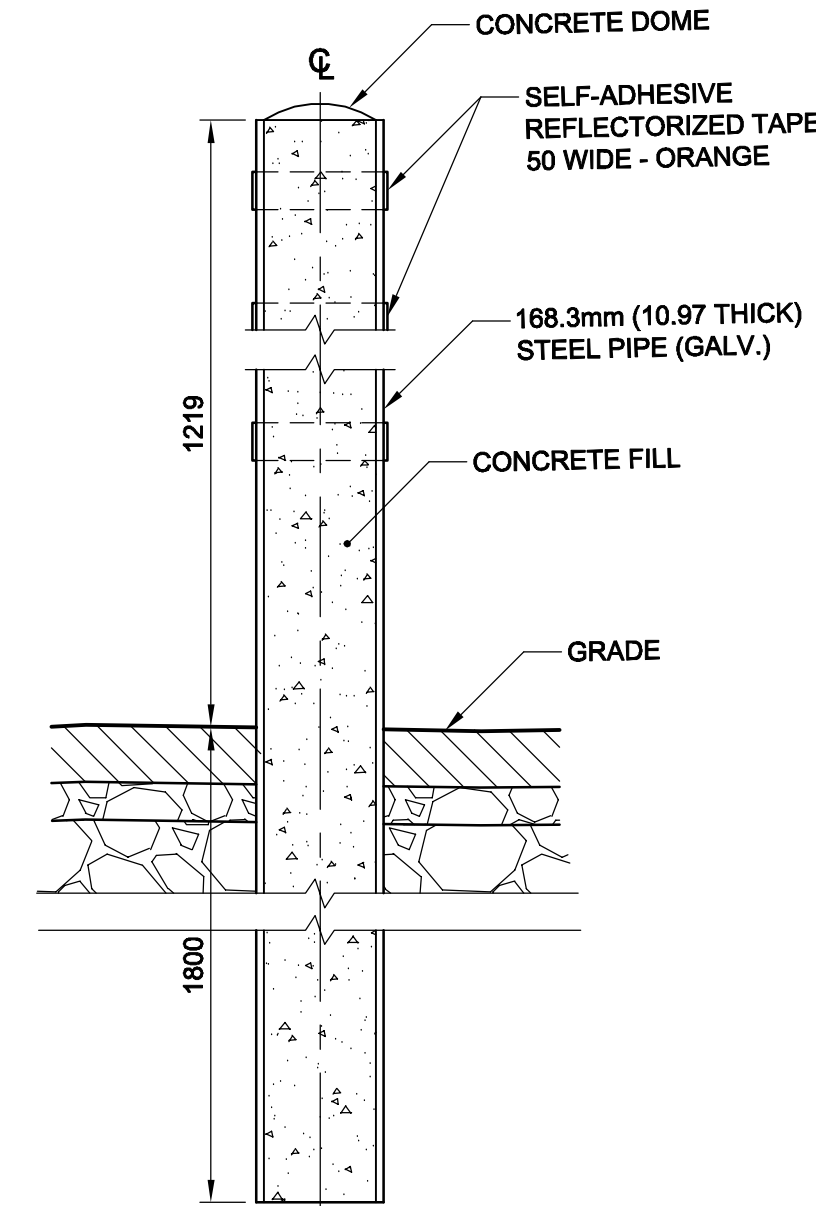
SECTION A
 01-C-101
 SCALE 1:50



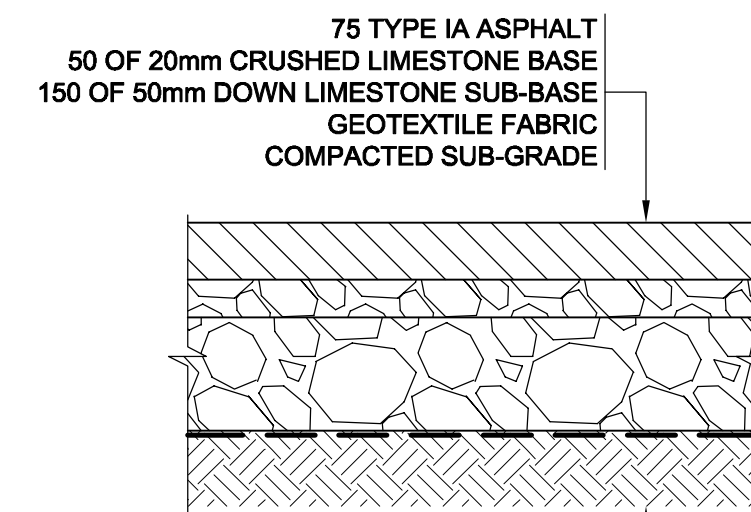
SECTION B
 01-C-101
 SCALE 1:50



WEHOLITE TO CONCRETE TRANSITION DETAIL
 SCALE 1:15



BOLLARD
 SCALE: NTS



PEDESTRIAN / BIKE PATH
 SCALE 1:10

APEGM
 Certificate of Authorization
 AECOM Canada Ltd.
 No. 4671 Date: March 21, 2011

BID OPPORTUNITY NO. 218-2011

150 WM	WATERMAIN	150 WM	150 WM	CURB STOP	150 WM	WATERMAIN	150 WM
HYDRANT	HYDRANT	VALVE	VALVE	REDUCER	300 LDS	LAND DRAINAGE SEWER	300 LDS
LAND DRAINAGE SEWER	LAND DRAINAGE SEWER	WASTE WATER SEWER	WASTE WATER SEWER	COUPLING	250 WWS	WASTE WATER SEWER	250 WWS
MANHOLE	MANHOLE	CATCH BASIN	CATCH BASIN	HYDRO	PAVEMENT CROWN	PAVEMENT CROWN	PAVEMENT CROWN
CURB INLET	CURB INLET	CULVERT	CULVERT	MTS	GROUNDLINE	GROUNDLINE	GROUNDLINE
COMMUNITY MAILBOX	COMMUNITY MAILBOX	SURVEY BAR	SURVEY BAR	GAS			
LEGEND - PLAN	LEGEND - PLAN	LEGEND - PLAN	LEGEND - PLAN	ASPHALT			
				CONCRETE			
				LIP CURB			
				MODIFIED BARRIER CURB			
				RAMP CURB			
EXISTING	LEGEND - PLAN	NEW	EXISTING	LEGEND - PLAN	NEW	EXISTING	LEGEND - PROFILE

LOCATION APPROVED UNDERGROUND STRUCTURES
 SUPR. U/G STRUCTURES DATE COMMITTEE
 NOTE: LOCATION OF UNDERGROUND STRUCTURES AS SHOWN ARE BASED ON THE BEST INFORMATION AVAILABLE. BUT NO GUARANTEE IS GIVEN THAT ALL EXISTING UTILITIES ARE SHOWN OR THAT THE GIVEN LOCATIONS ARE EXACT. CONFIRMATION OF EXISTENCE AND EXACT LOCATION OF ALL SERVICES MUST BE OBTAINED FROM THE INDIVIDUAL UTILITIES BEFORE PROCEEDING WITH CONSTRUCTION.

DESIGNED BY	FMI	CHECKED BY	EDT
DRAWN BY	KMB	APPROVED BY	Bryan Weber
HOR. SCALE	AS NOTED	RELEASED FOR CONSTRUCTION	
VERT. SCALE	AS NOTED	DATE	

0	ISSUED FOR CONSTRUCTION	11/03/18	KMB
NO.	REVISIONS	YYMMDD	BY

PROFESSIONAL'S SEAL
 Original Sealed by:
 E. D. J. TOUPIN, P. Eng
 Member 23484
 March 21, 2011
 CONSULTANT DRAWING NO.
 60161484-01-C-401-R0X.dwg

THE CITY OF WINNIPEG
 WATER AND WASTE DEPARTMENT
CSO STORAGE FACILITY AT THE UNIVERSITY OF WINNIPEG CIVIL
 DETAILS & SECTIONS 1

SHEET 4 OF 19
 CITY DRAWING NUMBER
9568
 REV 0